

Parts Manual

Generator Set

**QSJ5.9G Engine with PowerCommand[®] 1.1 Control and
PowerCommand[®] 2.3 Control**

C45 N6 (Spec A)

C50 N6 (Spec A)

C60 N6 (Spec A)

C70 N6 (Spec A)

C80 N6 (Spec A)

C100 N6 (Spec A)

Table of Contents

Description	Page
Safety Precautions	2
About This Manual	3
Quick Serve Online (QSOL)	4
Related Literature	4
Model Identification	5
Abbreviations	6
Labels	8
Consumables	10
Service Consumables	10
Paint and Thread Sealant	10
Engine Accessories	12
Starter	40
Engine Harness	43
Long Block Parts for Cummins Distributors Only	44
Engine Service Parts	50
Fuel Supply	82
Air Cleaner	97
Cooling System	110
Alternator	144
Alternator Heater	150
Chassis	152
Battery Tray	155
Enclosure	158
Control Box	182
Circuit Breakers	218
Current Transformer	237
Accessories and Kits	246
Muffler	246
Control Panel Electrics Kit	248
Top Load Entry Box Kit	249
Battery	250
Battery Charger – Stand Alone (15A)	251
Battery Heater Kit	252
Enclosure (Winterized Units)	258

Safety Precautions

The following symbols are used in Cummins manuals to alert users to the potentially dangerous conditions relating to maintenance of equipment and replacement of parts. Please read and observe.



This symbol warns of immediate hazards which will result in severe personal injury or death.



This symbol refers to a hazard or unsafe practice which can result in severe personal injury or death.



This symbol refers to a hazard or unsafe practice which can result in severe personal injury or product or property damage.

Product Safety Precautions

Before operating the generator set, read the manuals and become familiar with them and the equipment. Safe and efficient operation can be achieved only if the equipment is properly operated and maintained. Many accidents are caused by failure to follow fundamental rules and precautions.



Note:

It is in the Operator's interest to read and understand all Health and Safety information together with all Warnings and Cautions contained within the documentation relevant to the generator set, its operation and daily maintenance.



Improper operation and maintenance can lead to severe personal injury or loss of life and property by fire, electrocution, mechanical breakdown or exhaust gas asphyxiation. Read and follow all safety precautions in the health and safety manual 0908-0110.



Service and repair of Cummins equipment must be performed by trained, experienced personnel only. Improper service, repair or replacement of parts may result in damage to equipment & property, severe personal injury or death. Do not use this catalog as a guide to servicing your equipment. Read and follow the IMPORTANT SAFETY INSTRUCTIONS in the Service Manual appropriate for the equipment you are working on.



Contact with USED ENGINE OILS has been identified by a United States federal agency and some USA state agencies as causing CANCER or REPRODUCTIVE TOXICITY. When checking or changing engine oils take all necessary precautions not to ingest, breathe the fumes or contact the used oil.



Contact with ASBESTOS has been identified by a United States federal agency and some USA state agencies as causing CANCER or REPRODUCTIVE TOXICITY. When handling engine gaskets take all necessary precautions not to ingest, breathe or contact the dust from the gaskets! Use adequate ventilation and wear protective gloves, masks and clothing!



Contact with BENZINE and LEAD, found in gasoline, fuel additives and solvents has been identified by a United States federal agency and some USA state agencies as causing CANCER or REPRODUCTIVE TOXICITY. When checking, draining or adding gasoline and fuel additives or using solvents take all necessary precautions not to ingest, breathe the fumes or contact the liquids. Use adequate ventilation and wear protective gloves, masks and protective clothing!

About This Manual

This manual applies to the generator models C45 N6 – C100 N6. Parts illustrations are arranged in groups relating to their position and function on the generator set. Each part illustrated is identified by a reference number corresponding to the list of part numbers in the accompanying table.

Engine and alternator parts that have been modified or added by Cummins are identified in this manual. Contact your nearest authorized distributor for assistance in ordering replacement parts. All other replacement parts must be ordered from the engine/alternator manufacturer by referring to the item nameplate and supplying all available information.

Cummins Generator Model	Cummins Engine Model
C45 N6	QSJ5.9G
C50 N6	QSJ5.9G
C60 N6	QSJ5.9G
C70 N6	QSJ5.9G
C80 N6	QSJ5.9G
C100 N6	QSJ5.9G

Generator Set Data Table

Model and Specification	Electrical Data				Battery Voltage
	Watts	Volts	Hertz	Phase	
C45 N6/*	45,000	#	60	1, 3	12VDC
C50 N6/*	50,000	#	60	1, 3	12VDC
C60 N6/*	60,000	#	60	1, 3	12VDC
C70 N6/*	70,000	#	60	1, 3	12VDC
C80 N6/*	80,000	#	60	1, 3	12VDC
C100 N6/*	100,000	#	60	1, 3	12VDC

* – The diagonal line (/) in the model and specification number separates generator set characteristics from the specification number and letter. The specification number denotes customer requested options or deviations from the standard model. The specification letter advances (A to B, B to C, etc.) with major manufacturing changes.

– 120–600V (Refer to Genset Data Sheet).

Quick Serve Online (QSOL)

Documentation and operator manuals pertaining to the generator set are available on QuickServe Online.

QuickServe Online: <https://quickserve.cummins.com/info/index.html>

The information contained within this manual is based on information available at the time of going to print. In line with Cummins policy of continuous development and improvement, information may change at any time without notice. Obtain the most up to date version available on QuickServe Online or contact your authorized distributor for assistance.

Related Literature

The related literature that is appropriate to your generator set includes:

- Operator Manual (A051X877)
- Installation Manual (A051X873)
- Service Manual (A051X880)
- PowerCommand® 1302 Controller Owner's Manual (900-0661)
- Service Tool Manual (A043D529)
- Standard Repair Times – HL (A053K365)
- T-030: Liquid Cooled Generator Set Application Manual (A040S369) – for application information
- Engine Operation & Maintenance Manual for QSJ5.9G (4388606)

If further information is required, contact your authorized distributor.

Model Identification

This manual covers generator set models produced under the Cummins brand.

To avoid errors or delay in filling your parts order, always state the MODEL and SERIAL NUMBER from the Cummins nameplate.

Model No. [REDACTED]			
Serial No. [REDACTED]		Spec. [REDACTED]	
FREQUENCY: 60 HZ			
SERVICE RATING:			
PHASE: 3PH 3PH			
RATED KW:			
POWER FACTOR: 0.8 0.8			
RATED KVA:			
12 CAPABILITY:			
CONNECTIONS:			
BATTERY: VOLTS AMPS AMPS			
VDC 2400			
2400/4160			
ROTATING			
SPEED:			
1800RPM			
NOMINAL			
RATED			
FUEL:			
WIRING DIAGRAM:			

The engine serial number is located on a data tag on the engine or is stamped on the engine block.

The control software number is located on the electronic control module (ECM) or can be obtained via the digital interface if one is available.

For reference document your generator set information in the spaces below.

Generator Set Model Number: _____

Generator Set Serial Number: _____

Generator Spec Letter: _____

Engine Serial Number: _____

Digital Control Software: _____

Abbreviations

Some of the following abbreviations may be used throughout this Parts Manual:

AC	Alternating Current	LED	Light-Emitting Diode
ACB	Air Circuit Breaker	LTP	Limited Time Power Rating
ACH	Anti-Condensations Heaters	LTA	Low Temperature Aftercooling
ATS	Automatic Transfer Switch	LV	Low Voltage
Amp	Ampere	M	Meter
A/R	As Required	MCB	Miniature Circuit Breaker
AVR	Automatic Voltage Regulator	MCCB	Moulded Case Circuit Breaker
AWG	American Wire Gauge	MF	Mains Failed
BHP	Brake Horsepower	MFSS	Master First Start Sensor
BMS	Building Measurement System	mm	Millimeter
BST	Busbar Sensing Transformer	MOH	Mobile Off Highway
CAN	Controlled Area Network	MR	Mains Returned
CB	Circuit Breaker	MST	Mains Sensing Transformer
CCA	Cold Cranking Amps	MSU	Mains Sensing Unit
CHP	Combined Heat and Power	MV	Medium Voltage
COP	Continuous Power Rating	NEC	Neutral Earthing Contact
CT	Current Transformer	NFS	Not For Sale
		NPT	National Pipe Thread
dB(A)	Unit of noise level	OD	Outside Diameter
DC	Direct Current	oz.	Ounce
Deg	Degree	PC	PowerCommand 3.3
DIP	Dual In-line Package	PC	Printed Circuit
DMC	Digital Master Control	PF	Power Factor
DMSU	Demand Load Standby Unit	Ph	Phase
ECM	Engine Control Module	PFC	Power Factor Controller
EFC	Electronic Fuel Control	PLC	Programmable Logic Controller
EIT	External/Internal Tooth	PMG	Permanent Magnet Generator
EMCU	Engine Monitoring and Control Unit	PRP	Prime Power Rating
EMF	Electromotive Force	PSU	Power Supply Unit
EPROM	Erasable Programmable Read Only Memory	PT/CT	Potential Transformer/Current Transformer
EPU	Engine Protection Unit	PTC	Power Transfer Control
ET	External Tooth	QCC	Quadrature Current Control
FAE	Full Authority Engine	RFI	Radio Frequency Interference
FSS	First Start Sensor	RMS	Root Mean Square
GCP	Generator Control Panel	RPM	Revolutions Per Minute
GFI	Ground Fault Interrupter	RT	Right
GKWT	Global Kilowatt Transducer	RTD	Resistance Temperature Detector
HMI	Human/Machine Interface	Spec	Specification
HV	High Voltage	Thk	Thick
IC	Integrated Circuit	UL	Underwriters Laboratories Inc.
ID	Inside Diameter	UNC	Union National Coarse
IEC	International Electrotechnical Commission	UNF	Union National Fine
I/O	Input / Output	V	Volts
IT	Internal Tooth	VAC	Volts, Alternating Current
kVA	Apparent Power	VCB	Vacuum Circuit Breaker
kVAR	Reactive Power	VDC	Volts, Direct Current
kW	Active / Real Power (Kilowatt)	VF	Volt-free
kWh	Unit of electrical energy or work	VT	Voltage Transformer
LPG	Liquid Petroleum Gas	W/(ET, IT, EIT)	With
LT	Left		

This page is Intentionally blank.

Labels

1

<p>▲ AVERTISSEMENT</p> <p>La génératrice avec commande automatique ou à distance démarrera sans avertissement.</p> <p>Peut causer des blessures graves et des dommages aux équipements.</p> <p>Voir le manuel pour les procédures d'entretien appropriées.</p>		<p>▲ WARNING</p> <p>Generator with automatic or remote control will start without warning.</p> <p>Can cause severe injury and damage to equipment.</p> <p>See service manual for proper service procedures.</p>
---	--	--

2

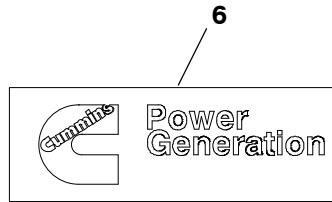
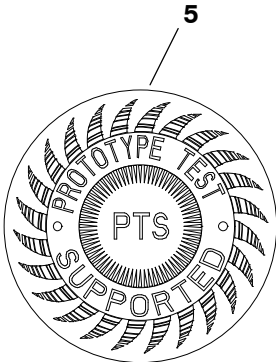
<p>▲ AVERTISSEMENT</p> <p>Risque de chute.</p> <p>Peut provoquer de graves blessures.</p> <p>Ne pas se tenir ou marcher sur l'unité.</p>		<p>▲ WARNING</p> <p>Fall hazard.</p> <p>Can cause severe injury.</p> <p>Do not step or stand on top of unit.</p>
---	--	---

3

<p>▲ PRUDENCE</p> <p>Surface chaude.</p> <p>Peut causer des brûlures.</p> <p>Permettez un temps de refroidissement avant l'entretien.</p>		<p>▲ CAUTION</p> <p>Hot surfaces.</p> <p>Can cause burns.</p> <p>Let surfaces cool before servicing.</p>
--	--	---

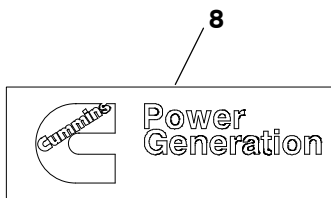
4

<p>▲ AVERTISSEMENT</p> <p>Liquide de refroidissement chaud et sous pression.</p> <p>Peut provoquer de graves brûlures.</p> <p>Ne pas ouvrir lorsqu'il est chaud.</p>		<p>▲ WARNING</p> <p>Hot pressurized coolant.</p> <p>Can cause severe injury.</p> <p>Do not open when hot.</p>
---	--	--



7

<p>▲ AVERTISSEMENT</p> <p>Gaz combustibles sous pression.</p> <p>Peut entraîner des blessures graves.</p> <p>Ne pas opérer avec les portes ouvertes.</p>		<p>▲ WARNING</p> <p>Pressurized combustible gases.</p> <p>Can cause severe injury.</p> <p>Do not operate with doors open.</p>
---	--	--



9

<p>▲ DANGER</p> <p>Les gaz d'échappement contiennent du monoxyde de carbone toxique, qui est incolore et inodore et peut provoquer la mort.</p> <p>Positionner l'échappement à l'extérieur de l'unité sans fumer, suffisamment loin des zones occupées, des ouvertures d'aération et des fenêtres.</p> <p>Pour des directives importantes sur la sécurité, consultez le Manuel de l'utilisateur.</p>		<p>▲ DANGER</p> <p>Exhaust gas contains poisonous carbon monoxide, which is odorless and colorless and will kill you.</p> <p>Position exhaust outside of any enclosed areas and well away from occupied areas, air vents and windows.</p> <p>See installation and Operators manuals for instructions, safety and health warnings.</p>
---	--	--

Labels

Item	Part No.	Description	Qty
1	A048G912	Label, Warning	2
2	A048G915	Label, Warning	A/R
3	A048G917	Label, Caution	3
4	A048G919	Label, Warning	1
5	A044M633	Label, Information	1
6		Label, Logo	
	A050H226	White Ink	2
	A050H196	Black Ink	2
7	A052U299	Label, Warning	2
8	A045J574	Label, Logo (332mm)	1
9	A048G923	Label, Danger	1

Consumables

The following is a list of consumables associated with the generator models covered in this manual:

Service Consumables

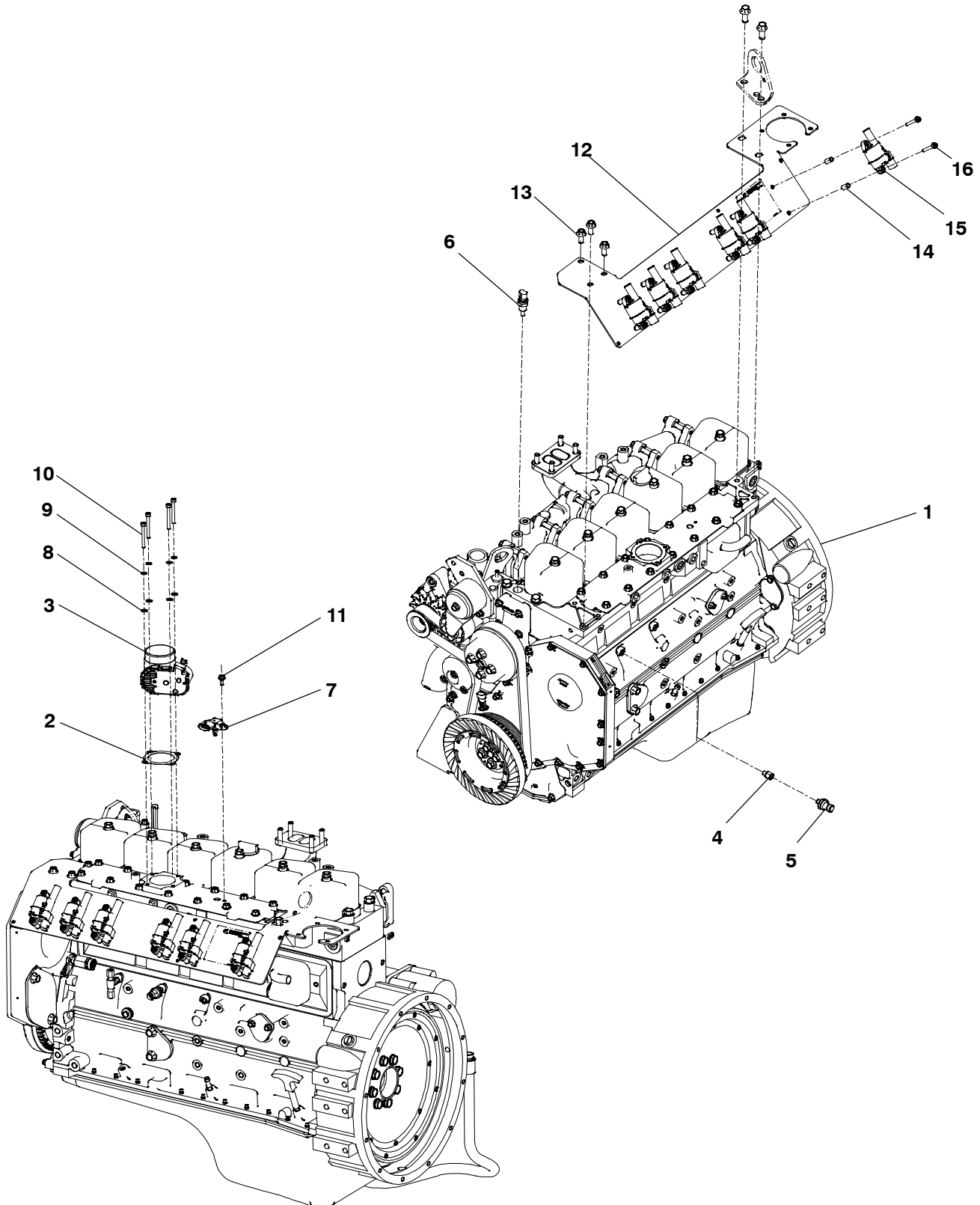
Part No.	Description	Qty
A052S206	Preventive Maintenance Kit, Normal Duty and Turbo Rich (C45 N6, C50 N6, C60 N6)	1
A052S210	Preventive Maintenance Kit, Normal Duty and Turbo Lean (C70 N6, C80 N6, C100 N6)	1
A052S208	Preventive Maintenance Kit, Normal Duty, NA and Turbo Rich (C45 N6, C50 N6, C60 N6)	1
A052S212	Preventive Maintenance Kit, Normal Duty and Turbo Lean (C70 N6, C80 N6, C100 N6)	1
LF3959	Cartridge, Lube Oil Filter	1
A042Y252	Cleaner, Air (ND) (C45 N6, C50 N6, C60 N6)	1
A047M180	Cleaner, Air (ND) (C70 N6, C80 N6, C100 N6)	1
A044V681	Filter, Air (HD) (C45 N6, C50 N6, C60 N6)	1
A051M145	Filter, Air (C70 N6, C80 N6, C100 N6)	1
45-0281	Kuebler Asonic Grease GHY75 (400 GRM Tube)	1
A051X168	Oil, Lubricating	3.96 Gallon

Paint and Thread Sealant

Part No.	Description	Qty
518-0601	Sealant, Thread (6 ml Tube)	n/a

This page is Intentionally blank.

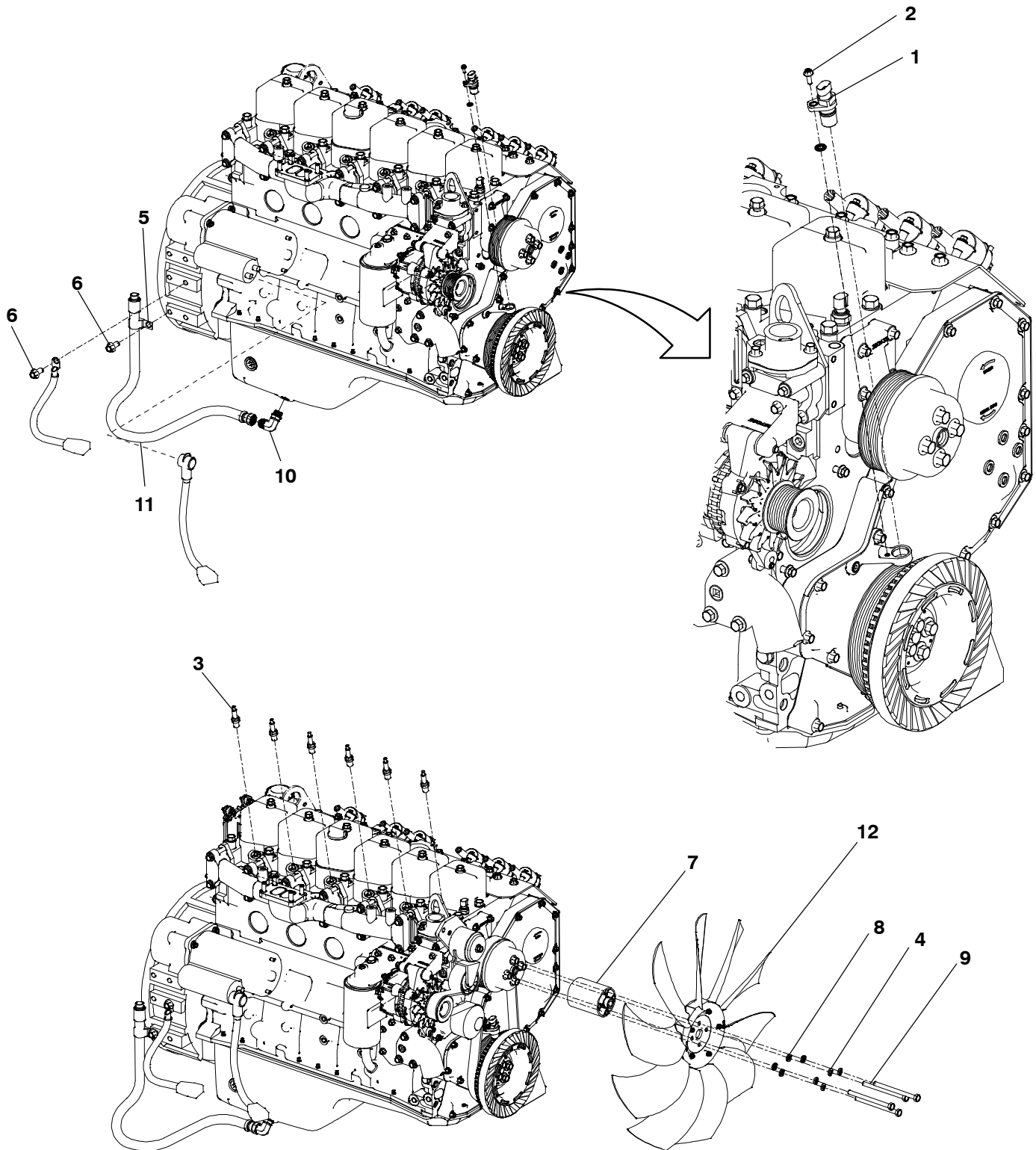
Engine Accessories (C70 N6, C80 N6, C100 N6) (Illustration #1)



Engine Accessories (C70 N6, C80 N6, C100 N6) (Illustration #1)

Item	Part No.	Description	Qty
1	A046V168	Engine, Spark Ignited (See Page 44 and 51 for Service Parts)	1
2	A042T776	Gasket	1
3	A042T762	Body, Throttle	1
4	0502-0175	Adapter, Pipe	1
5	A028X493	Sender, Pressure	1
6	A047B475	Sensor, Temperature	1
7	A044B224	Sensor, Pressure	1
8	0526-0399-58	Washer, Flat	8
9	0850-0114-53	Washer, Lock	8
10	A043W097	Screw, Socket Head	4
11	0800-6375-01	Screw, Hex Flange Head	1
12	A048A105	Bracket, Mounting	1
13	0815-0859-02	Screw, Hex Flange Head	3
14	A051B859	Spacer	12
15	A047D019	Coil, Ignition	6
16	0815-0857-08	Screw, Hex Head	12
17	0815-0857-08	Screw, Hex Head	12

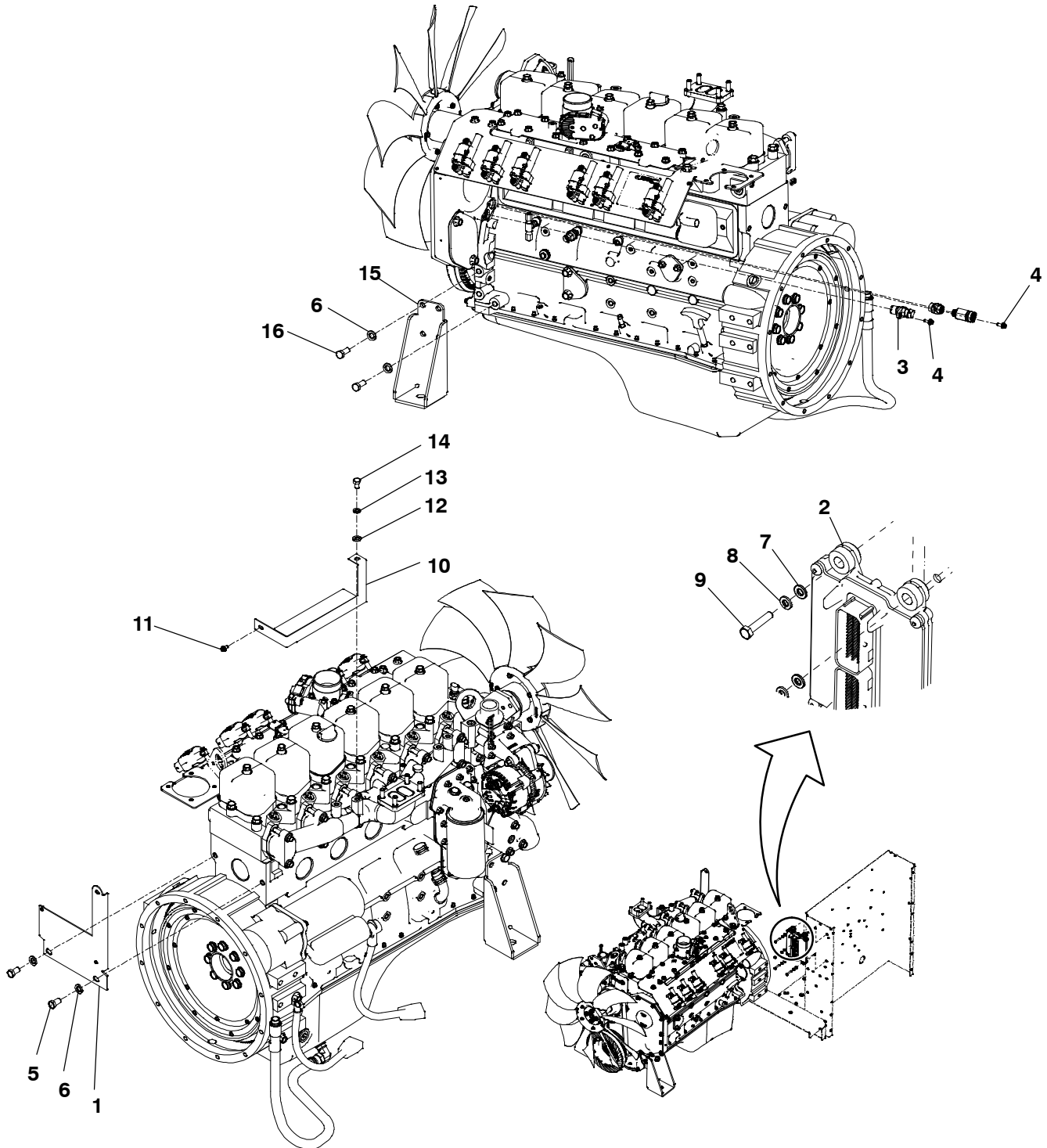
Engine Accessories (C70 N6, C80 N6, C100 N6) (Illustration #2)



Engine Accessories (C70 N6, C80 N6, C100 N6) (Illustration #2)

Item	Part No.	Description	Qty
1	A046G214	Sensor, Speed	2
2	A029J996	Screw, Hex Flange Head	1
3	A047K691	Plug, Spark	6
4	0850-0114-55	Washer, Lock	5
5	0518-0703	Clamp	1
6	0815-0860-01	Screw, Hex Flange Head	2
7	A050W991	Spacer, Fan	1
8	A046A715	Washer, Flat	4
9	0800-6441	Screw, Hex Head	4
10	A052R199	Fitting, Elbow	1
11	A050Y446	Hose, Oil	1
12	A047R282	Fan, Radiator	1

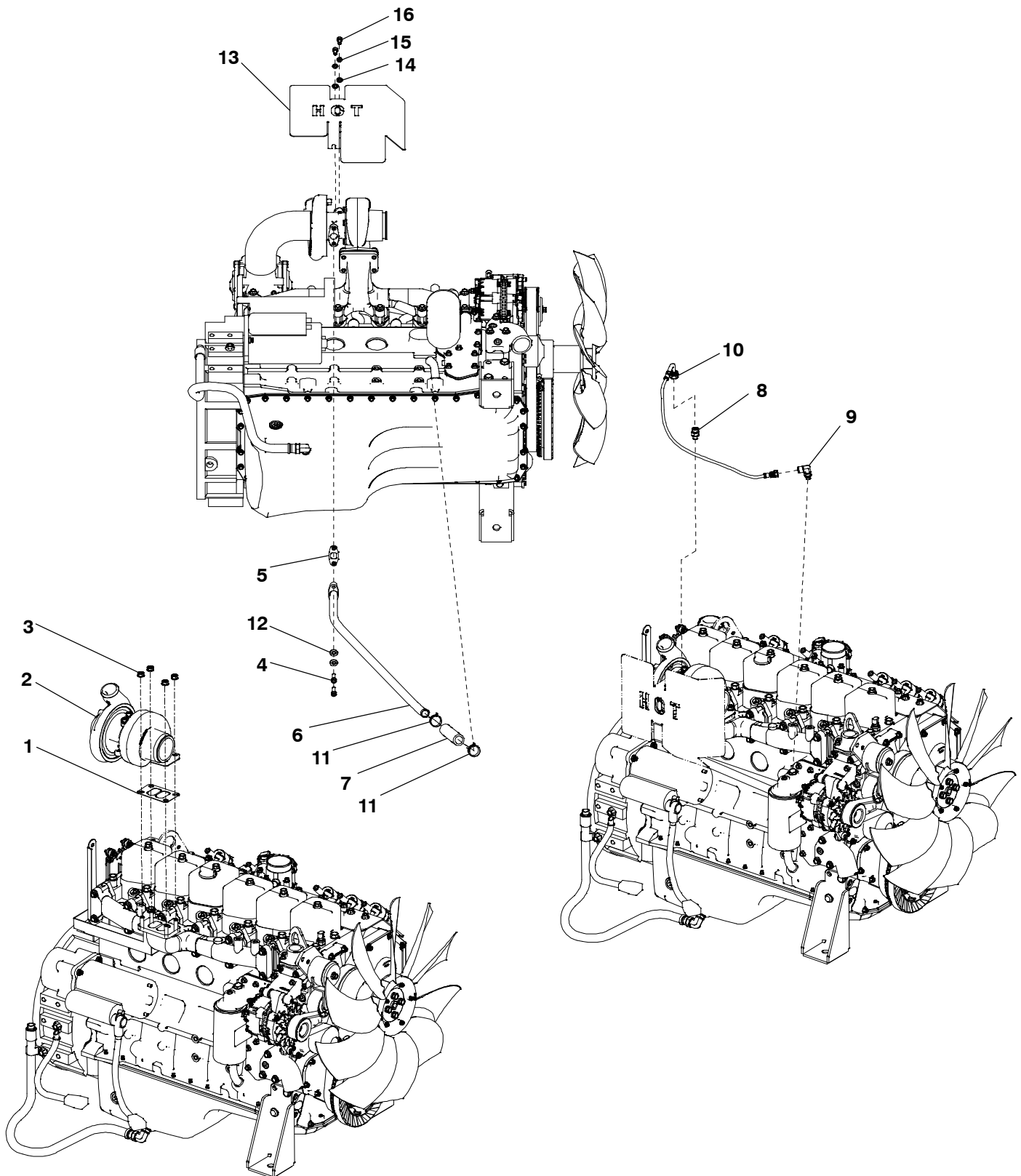
Engine Accessories (C70 N6, C80 N6, C100 N6) (Illustration #3)



Engine Accessories (C70 N6, C80 N6, C100 N6) (Illustration #3)

Item	Part No.	Description	Qty
1	A047A070	Bracket	1
2	A047D130	Module, ECM	1
3	A046G214	Sensor, Speed	2
4	0815-0857-02	Screw, Hex Head	2
5	0800-2110	Screw, Hex Head	2
6	0526-0399-64	Washer, Flat	6
7	0526-0399-58	Washer, Flat	8
8	0850-0114-53	Washer, Lock	8
9	0800-3017-06	Screw, Hex Head	4
10	A047A066	Bracket	1
11	0815-0857-01	Screw, Hex Head	3
12	0526-0399-62	Washer, Flat	1
13	0850-0114-55	Washer, Lock	5
14	0800-3017-35	Screw, Hex Head	1
15	0725-1049	Screw	2
16	0800-3017-54	Screw, Hex Head	4

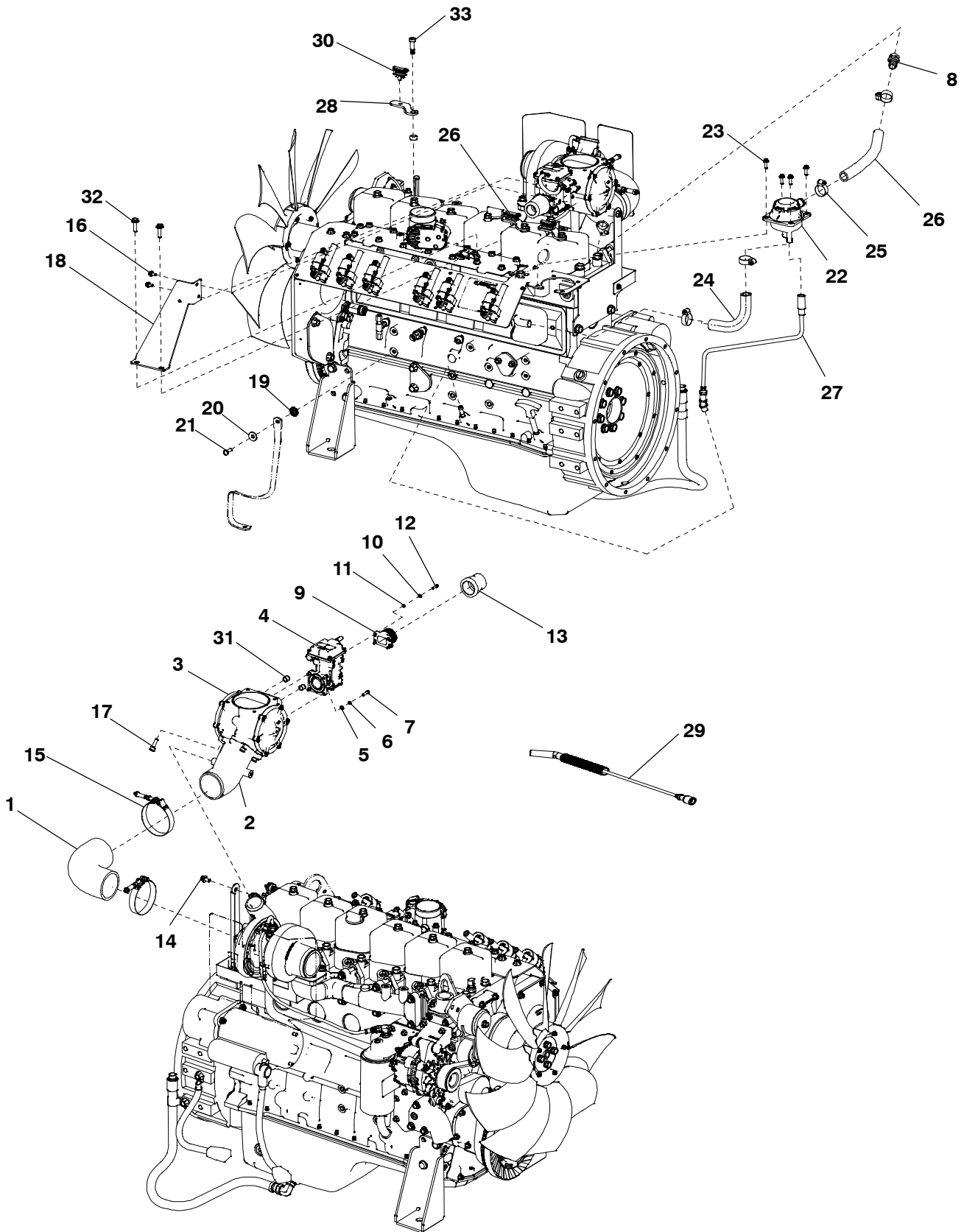
Engine Accessories (C70 N6, C80 N6, C100 N6) (Illustration #4)



Engine Accessories (C70 N6, C80 N6, C100 N6) (Illustration #4)

Item	Part No.	Description	Qty
1	A047A612	Gasket, Exhaust Manifold	1
2	A046G328	Turbocharger	1
3	A048A845	Nut, Hex Flange	4
4	0725-1051	Screw, Socket Head	6
5	A047T786	Gasket, Turbocharger	1
6	A047A362	Tube, Oil	1
7	A050C797	Hose, Flexible	1
8	A050Y447	Adapter, Hose	1
9	A047K797	Elbow, Pipe	1
10	A047V725	Hose, Flexible	1
11	A028X743	Clamp	2
12	0526-2120	Washer, Flat	2
13	A048S405	Shield, Heat	1
14	0526-2101	Washer, Flat	2
15	0850-0114-54	Washer, Lock	2
16	0725-1049	Screw	2

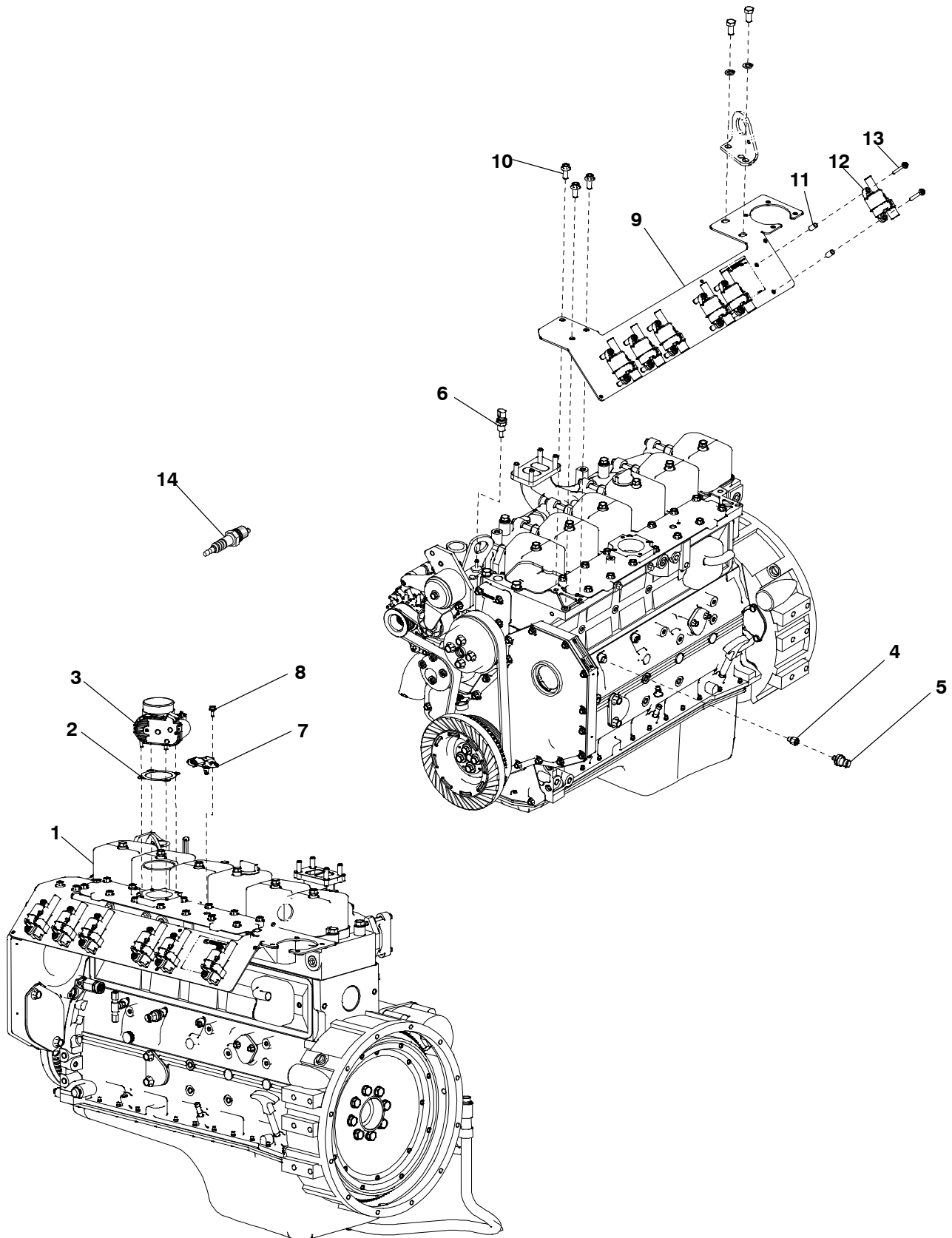
Engine Accessories (C70 N6, C80 N6, C100 N6) (Illustration #5)



Engine Accessories (C70 N6, C80 N6, C100 N6) (Illustration #5)

Item	Part No.	Description	Qty
1	A050S292	Hose, Intake	1
2	A046Z126	Elbow, Intake	1
3	A045U097	Mixer	1
4	A045U095	Regulator, Pressure	1
5	0526-0399-56	Washer, Flat	4
6	0850-0114-52	Washer, Lock	4
7	A043W091	Screw, Socket Head	4
8	0502-1295-03	Adapter	1
9	A046G431	Fitting	1
10	0526-0399-54	Washer, Flat	4
11	0850-0114-51	Washer, Lock	4
12	A043W090	Screw, Socket Head	4
13	0505-0138	Coupling, Reducer	1
14	0800-6524-01	Screw, Hex Flange Head	1
15	A034V217	Clamp, Tee Bolt	2
16	0815-0857-01	Screw, Hex Head	3
17	0725-1051	Screw, Socket Head	6
18	A048T300	Bracket	1
19	0856-0010	Washer, Lock	1
20	0526-0399-61	Washer, Flat	1
21	0800-2057	Screw, Hex Head	1
22	A050P864	Breather, Crankcase	1
23	0815-0857-03	Screw, Hex Head	4
24	A052G615	Hose, Fuel	1
25	0503-1136	Clamp	4
26	A050W248	Hose, Fuel	1
27	A050F613	Tube	1
28	A051F863	Bracket, Support	3
29	A052R987	Harness, Ignition	6
30	A050W423	Clip, Cable	3
31	0505-2035-02	Plug, Pipe	2
32	0821-2048	Screw, Hex Flange Head	2
33	A052W758	Screw, Shoulder	3

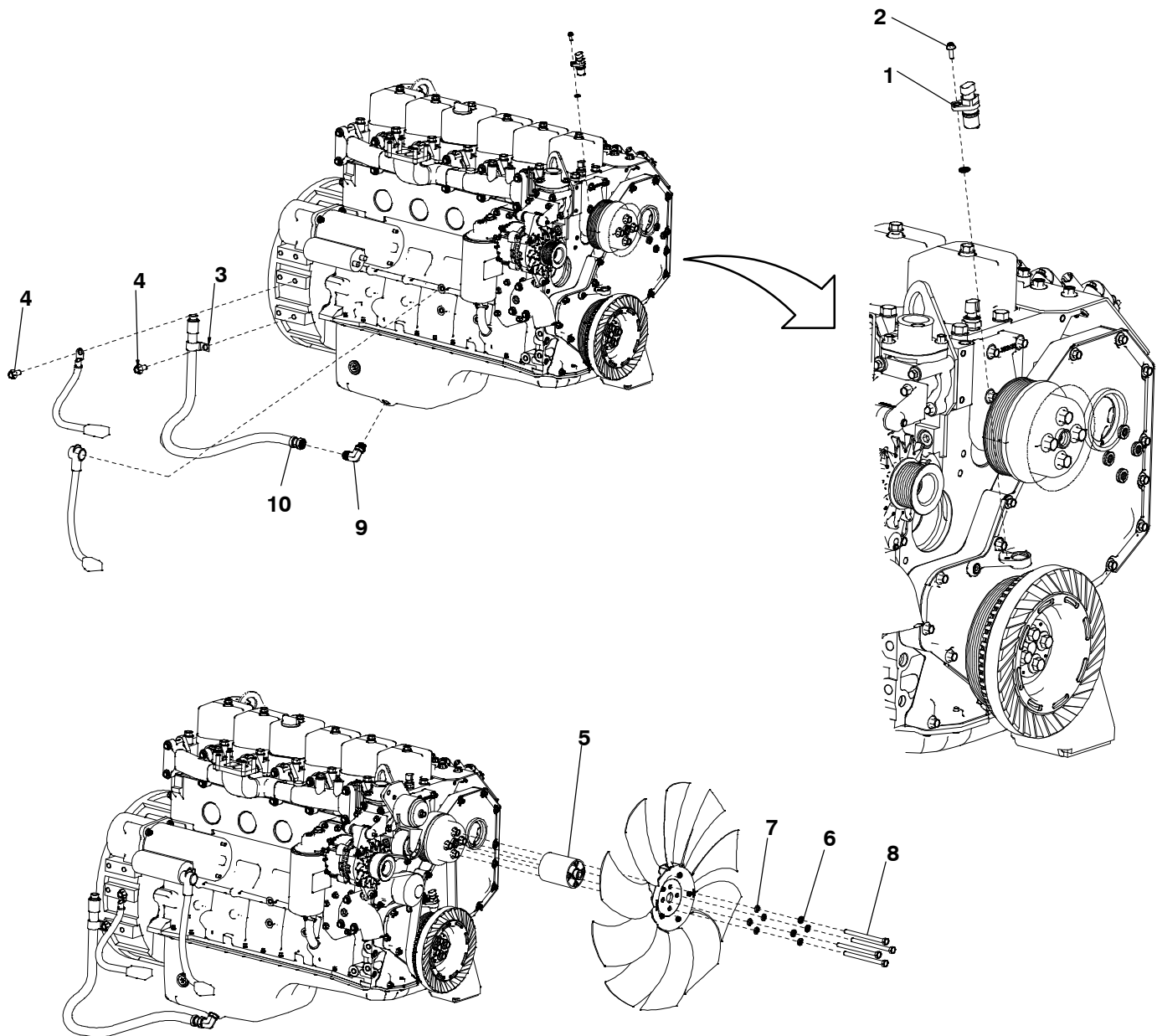
Engine Accessories (C45 N6, C50 N6) (Illustration #1)



Engine Accessories (C45 N6, C50 N6) (Illustration #1)

Item	Part No.	Description	Qty
1	A046V168	Engine, Spark Ignited (See Page 44 and 51 for Service Parts)	1
2	A042T776	Gasket	1
3	A042T762	Body, Throttle	1
4	0502-0175	Adapter, Pipe	1
5	A028X493	Sender, Pressure	1
6	A047B475	Sensor, Temperature	1
7	A044B224	Sensor, Pressure	1
8	0800-6375-01	Screw, Hex Flange Head	1
9	A048A105	Bracket, Mounting	1
10	0815-0895-02	Screw, Hex Flange Head	3
11	A051B859	Spacer	12
12	A047D019	Coil, Ignition	6
13	0815-0857-08	Screw, Hex Head	12
14	A047K691	Plug, Spark	6

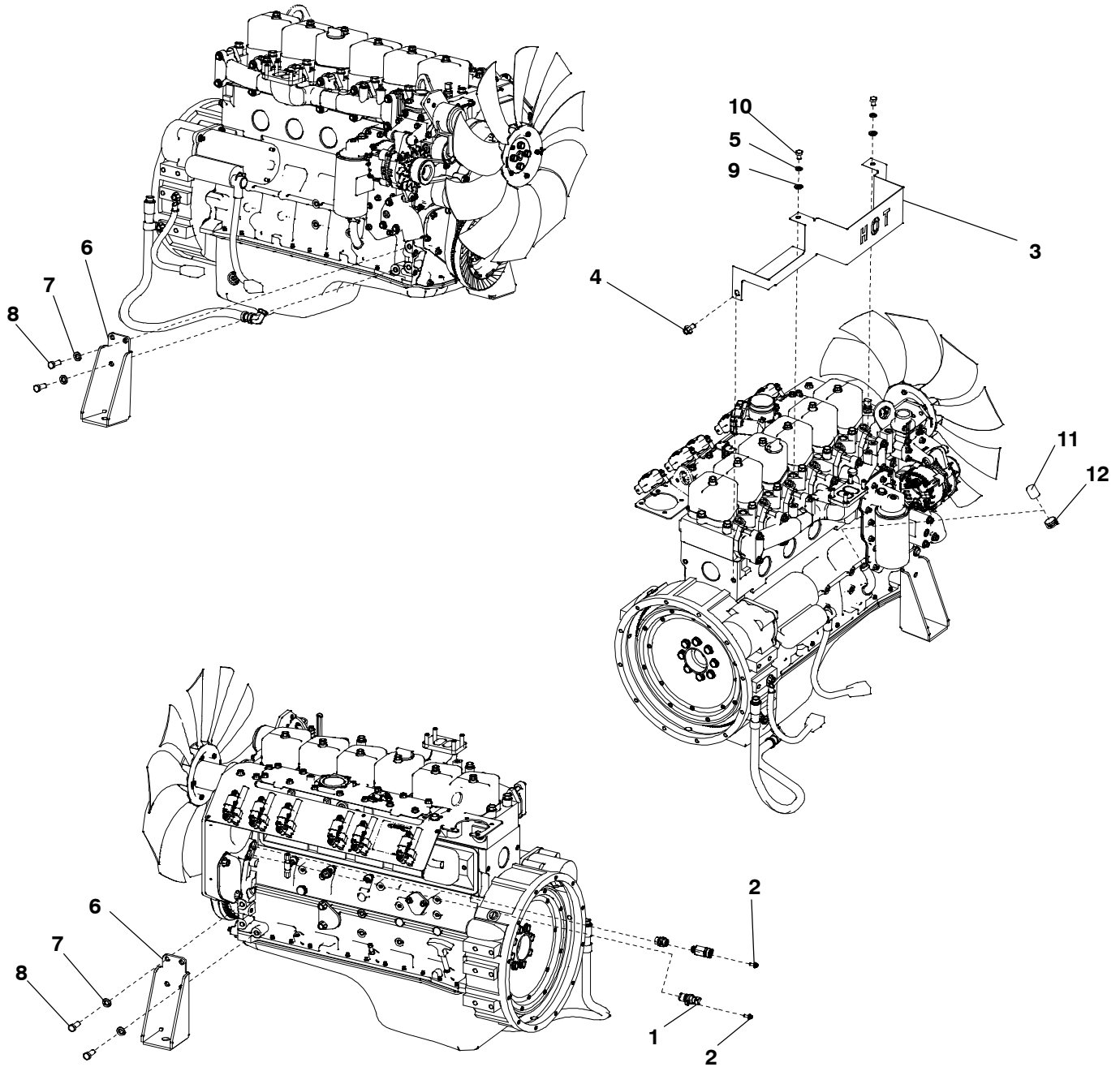
Engine Accessories (C45 N6, C50 N6) (Illustration #2)



Engine Accessories (C45 N6, C50 N6) (Illustration #2)

Item	Part No.	Description	Qty
1	A046G214	Sensor, Speed	2
2	A029J996	Screw, Hex Flange Head	1
3	0518-0703	Clamp	1
4	0815-0860-01	Screw, Hex Flange Head	3
5	A050W991	Spacer, Fan	1
6	A046A715	Washer, Flat	4
7	0850-0114-55	Washer, Lock	6
8	0800-6441	Screw, Hex Head	4
9	A052R199	Fitting, Elbow	1
10	A050Y446	Hose, Oil	1

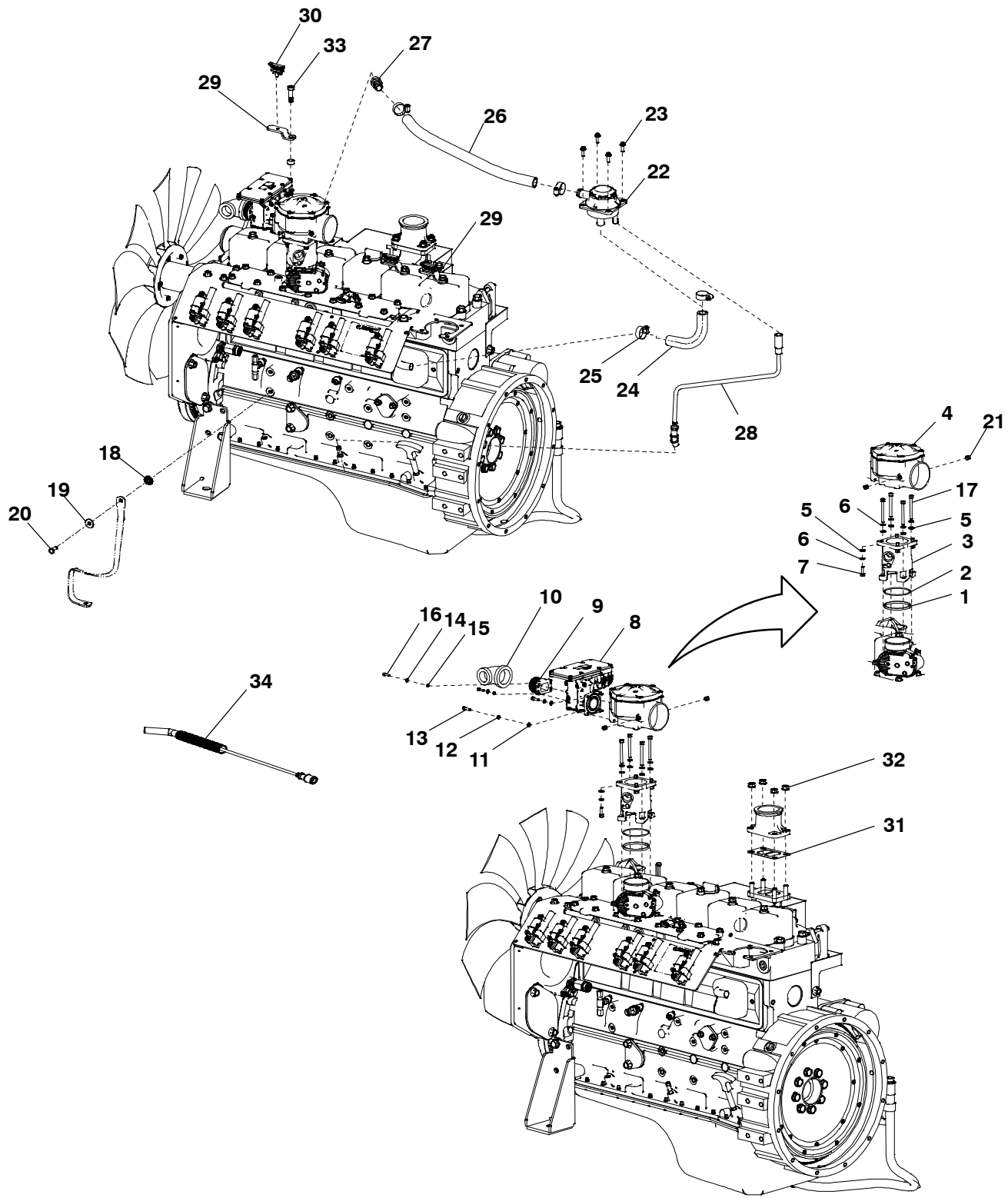
Engine Accessories (C45 N6, C50 N6) (Illustration #3)



Engine Accessories (C45 N6, C50 N6) (Illustration #3)

Item	Part No.	Description	Qty
1	A046G214	Sensor, Speed	2
2	0815-0857-02	Screw, Hex Head	2
3	A047D269	Shield, Heat	1
4	0815-0860-01	Screw, Hex Flange Head	3
5	0850-0114-55	Washer, Lock	6
6	A045S163	Mount, Engine	2
7	0526-0399-64	Washer, Flat	4
8	0800-3017-54	Screw, Hex Head	4
9	0526-0399-62	Washer, Flat	2
10	0800-3017-35	Screw, Hex Head	2
11	A050Y448	Cap	1
12	A028X743	Clamp	1

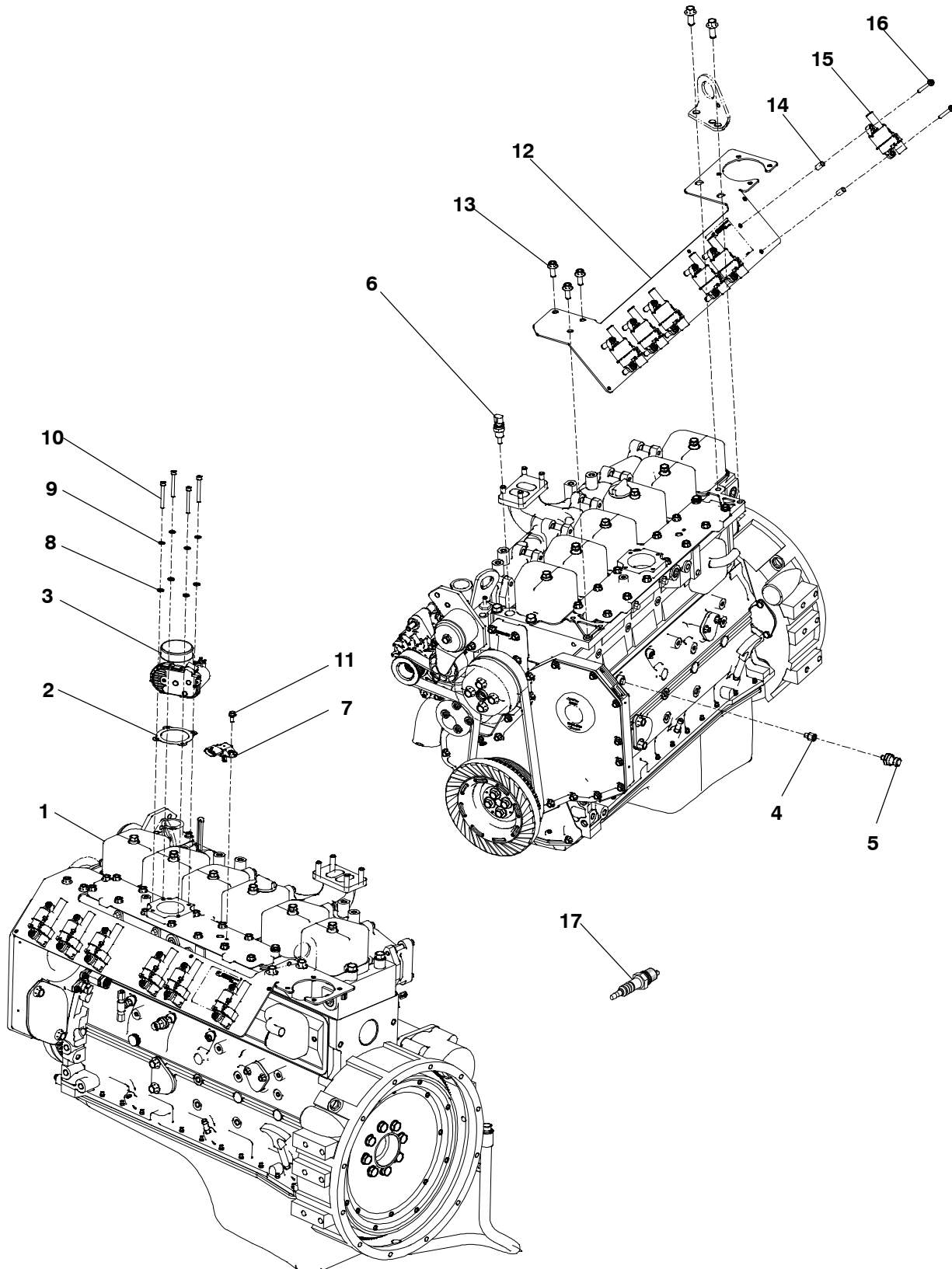
Engine Accessories (C45 N6, C50 N6) (Illustration #4)



Engine Accessories (C45 N6, C50 N6) (Illustration #4)

Item	Part No.	Description	Qty
1	A043J744	Spacer	1
2	A043J742	Seal, O Ring	1
3	A047J621	Adapter	1
4	A047D031	Mixer	1
5	0526-0399-58	Washer, Flat	8
6	0850-0114-53	Washer, Lock	8
7	A043W093	Screw, Socket Head	4
8	A062E034	Regulator, Pressure	1
9	A046G431	Fitting	1
10	0505-0473	Elbow, Reducer	1
11	0526-0399-56	Washer, Flat	4
12	0850-0114-52	Washer, Lock	4
13	A043W091	Screw, Socket Head	4
14	0526-0399-54	Washer, Flat	4
15	0850-0114-51	Washer, Lock	4
16	A043W090	Screw, Socket Head	4
17	A043Z608	Screw, Socket Head	4
18	0856-0010	Washer, Lock	1
19	0526-0399-61	Washer, Flat	1
20	0800-2057	Screw, Hex Head	1
21	0505-2035-01	Plug, Pipe	2
22	A050P864	Breather, Crankcase	1
23	0815-0857-03	Screw, Hex Head	4
24	A052G615	Hose, Fuel	1
25	0503-1136	Clamp	4
26	A050W253	Hose, Fuel	1
27	0502-1295-03	Adapter	1
28	A050F613	Tube	1
29	A051F863	Bracket, Support	3
30	A050W423	Clip, Cable	3
31	A047A612	Gasket, Exhaust Manifold	1
32	A048A845	Nut, Hex Flange	4
33	A052W758	Screw, Shoulder	3
34	A052R987	Harness, Ignition	6

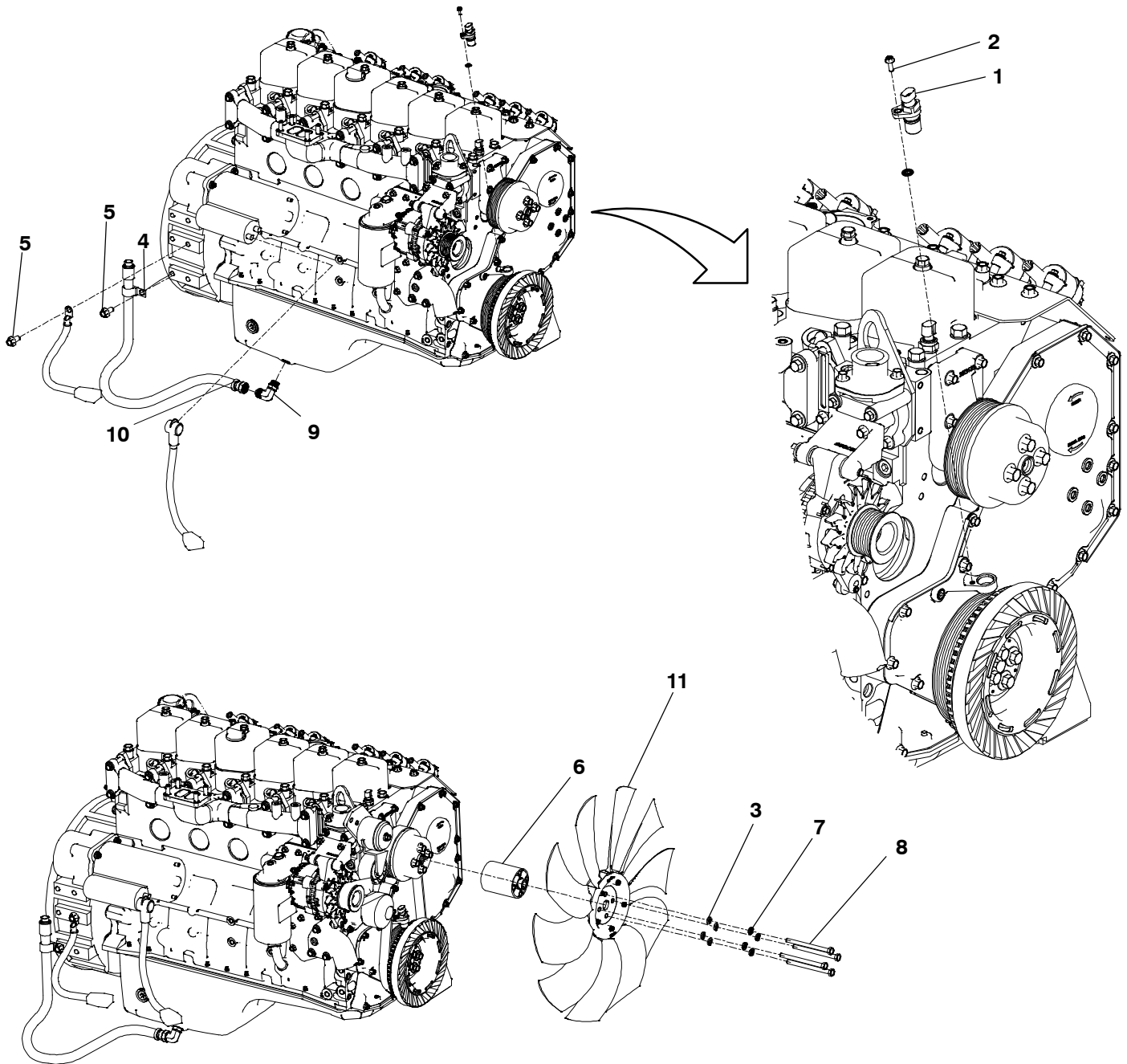
Engine Accessories (C60 N6) (Illustration #1)



Engine Accessories (C60 N6) (Illustration #1)

Item	Part No.	Description	Qty
1	A046V168	Engine, Spark Ignited (See Page 44 and 51 for Service Parts)	1
2	A042T776	Gasket	1
3	A042T762	Body, Throttle	1
4	0502-0175	Adapter, Pipe	1
5	A028X493	Sender, Pressure	1
6	A047B475	Sensor, Temperature	1
7	A044B224	Sensor, Pressure	1
8	0526-0399-58	Washer, Flat	8
9	0850-0114-53	Washer, Lock	8
10	A043W097	Screw, Socket Head	4
11	0800-6375-01	Screw, Hex Flange Head	1
12	A048A105	Bracket, Mounting	1
13	0815-0895-02	Screw, Hex Flange Head	3
14	A051B859	Spacer	12
15	A047D019	Coil, Ignition	6
16	0815-0857-08	Screw, Hex Head	12
17	A047K691	Plug, Spark	6

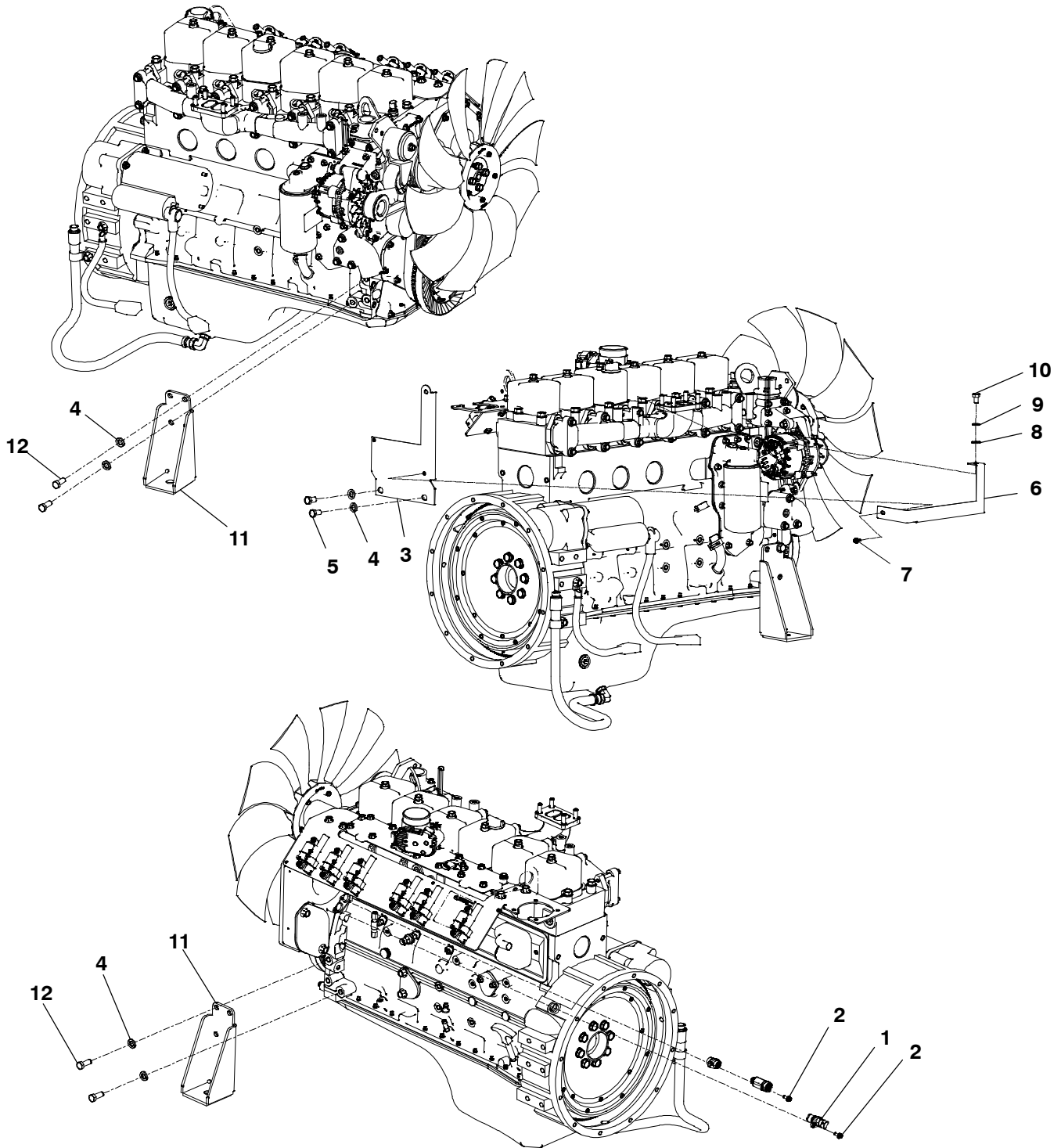
Engine Accessories (C60 N6) (Illustration #2)



Engine Accessories (C60 N6) (Illustration #2)

Item	Part No.	Description	Qty
1	A046G214	Sensor, Speed	2
2	A029J996	Screw, Hex Flange Head	1
3	0850-0114-55	Washer, Lock	5
4	0518-0703	Clamp	1
5	0815-0860-01	Screw, Hex Flange Head	2
6	A050W991	Spacer, Fan	1
7	A046A715	Washer, Flat	4
8	0800-6441	Screw, Hex Head	4
9	A052R199	Fitting, Elbow	1
10	A050Y446	Hose, Oil	1
11	A049K320	Fan, Engine	1

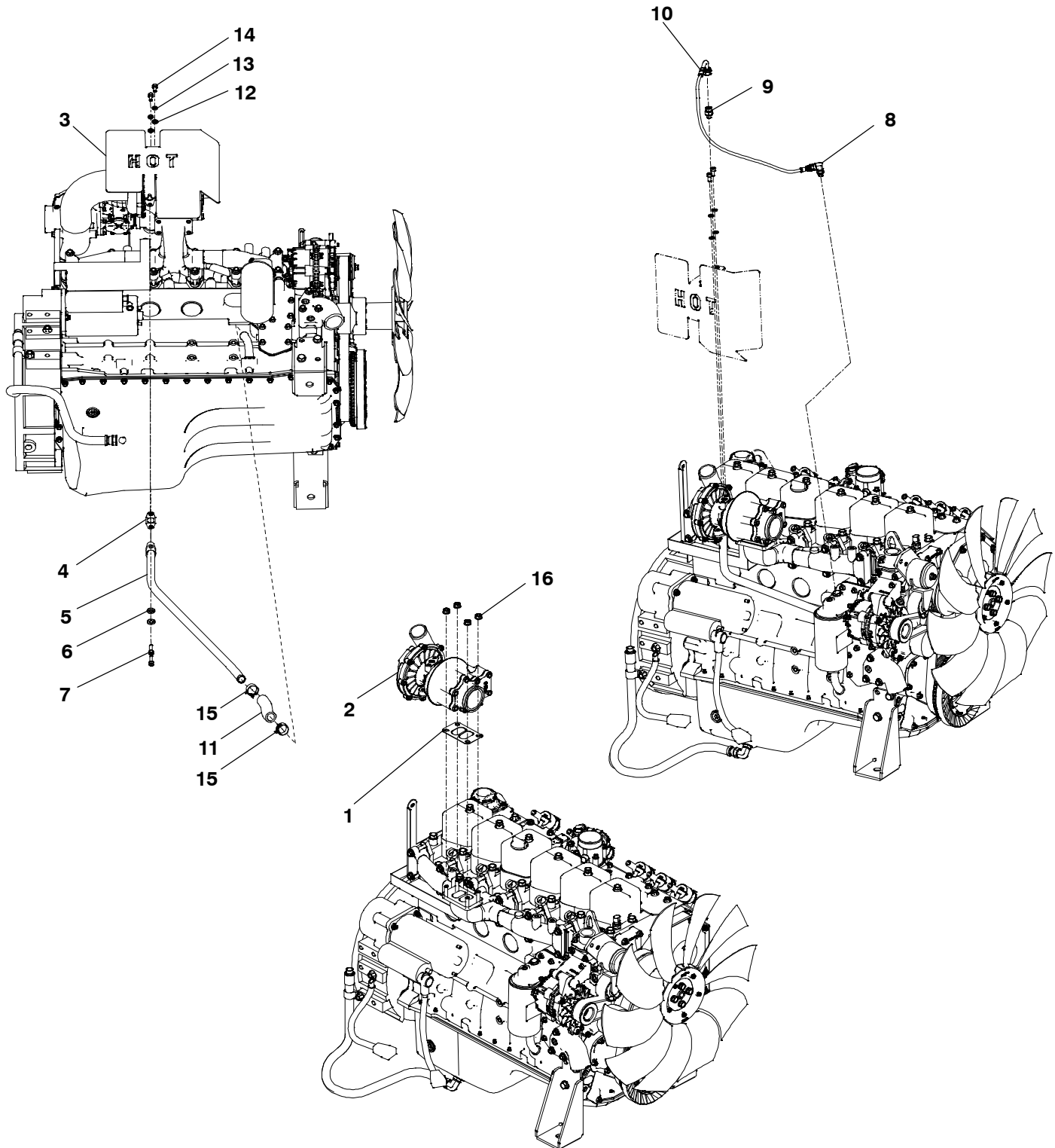
Engine Accessories (C60 N6) (Illustration #3)



Engine Accessories (C60 N6) (Illustration #3)

Item	Part No.	Description	Qty
1	A046G214	Sensor, Speed	2
2	0815-0857-02	Screw, Hex Head	2
3	A047A070	Bracket	1
4	0526-0399-64	Washer, Flat	6
5	0800-2110	Screw, Hex Head	2
6	A047A066	Bracket	1
7	0815-0857-01	Screw, Hex Head	2
8	0526-0399-62	Washer, Flat	1
9	0850-0114-55	Washer, Lock	5
10	0800-3017-35	Screw, Hex Head	1
11	A045S163	Mount, Engine	2
12	0800-3017-54	Screw, Hex Head	4

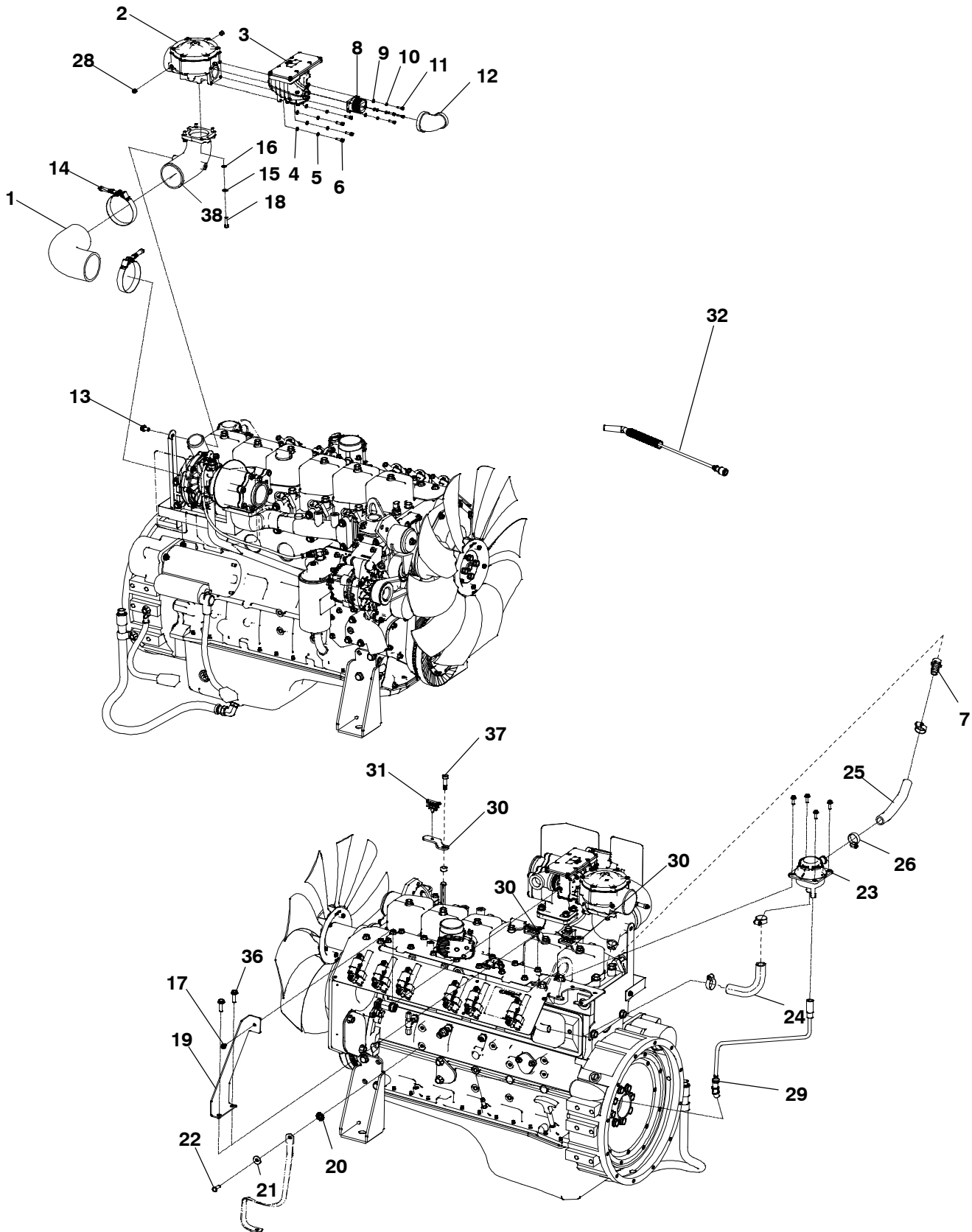
Engine Accessories (C60 N6) (Illustration #4)



Engine Accessories (C60 N6) (Illustration #4)

Item	Part No.	Description	Qty
1	A047A612	Gasket, Exhaust Manifold	1
2	A047E730	Turbocharger	1
3	A048S405	Shield, Heat	1
4	A047T786	Gasket, Turbocharger	1
5	A047A362	Tube, Oil	1
6	0526-2110	Washer, Flat	2
7	0725-1051	Screw, Hex Head	2
8	A047K797	Elbow, Pipe	1
9	A041M126	Adapter, Hose	1
10	A047V725	Hose, Flexible	1
11	A050C797	Hose, Flexible	1
12	0526-2101	Washer, Flat	2
13	0850-0114-54	Washer, Lock	2
14	0725-1049	Screw	2
15	A028X743	Clamp	2
16	A048A845	Nut, Hex Flange	4

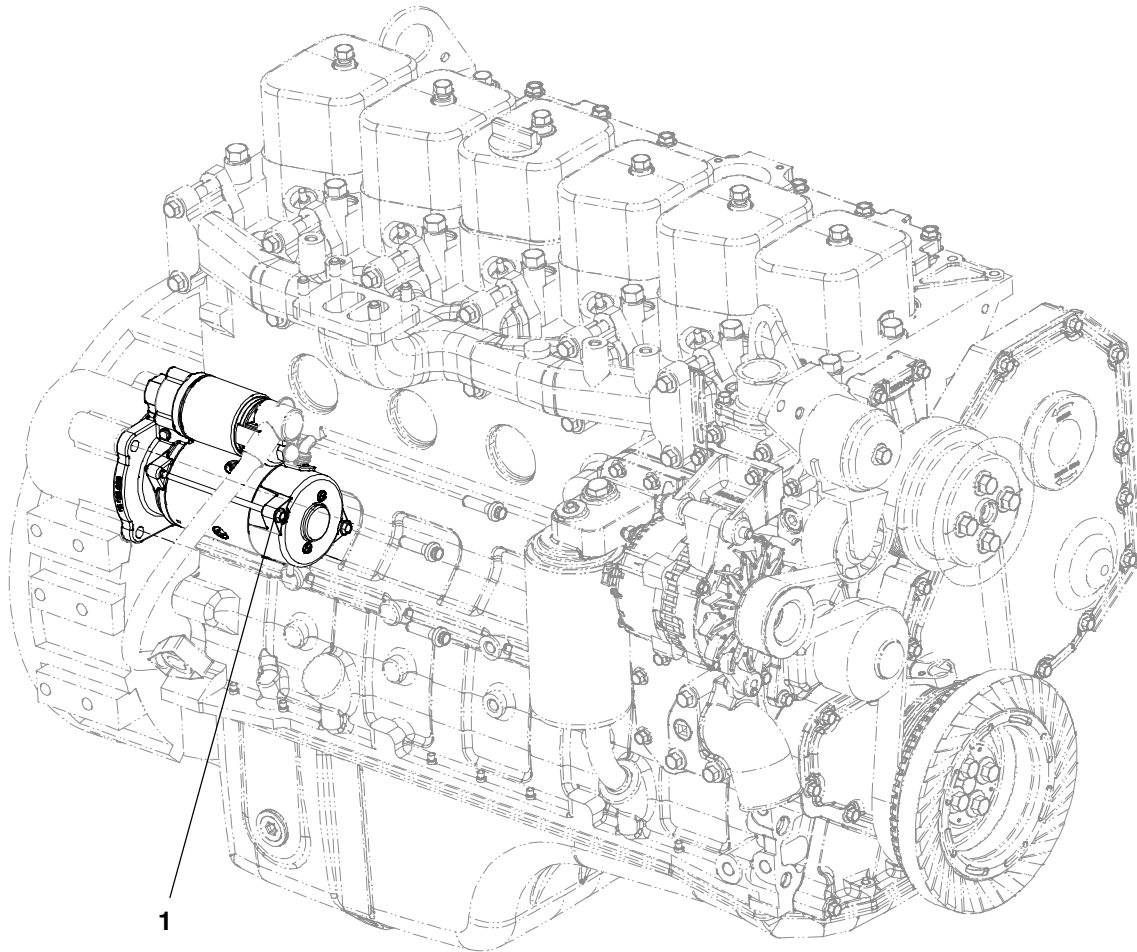
Engine Accessories (C60 N6) (Illustration #5)



Engine Accessories (C60 N6) (Illustration #5)

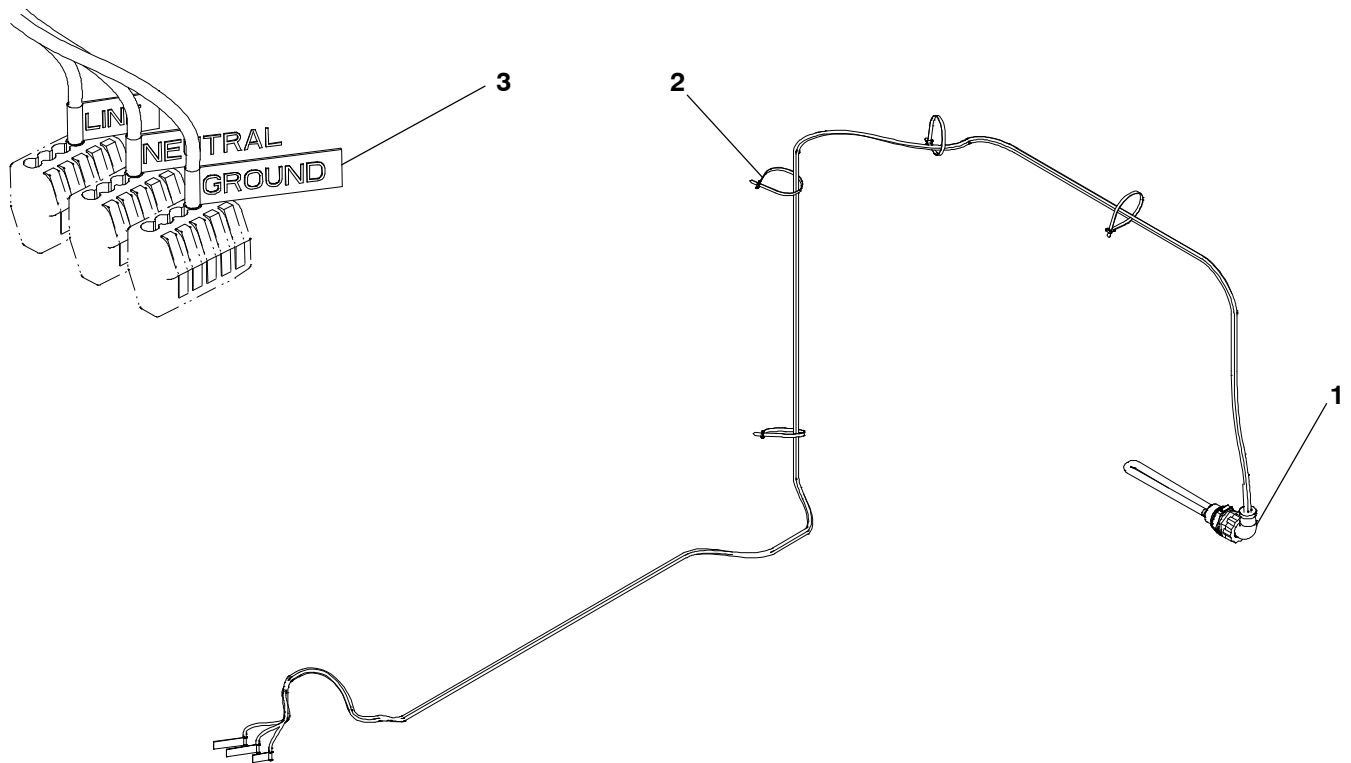
Item	Part No.	Description	Qty
1	A047A719	Hose, Intake	1
2	A047D031	Mixer	1
3	A062E034	Regulator, Pressure	1
4	0526-0399-56	Washer, Flat	4
5	0850-0114-52	Washer, Lock	4
6	A043W091	Screw, Socket Head	4
7	0502-1295-03	Adapter	1
8	A046G431	Fitting	1
9	0526-0399-54	Washer, Flat	4
10	0850-0114-51	Washer, Lock	4
11	A043W090	Screw, Socket Head	4
12	0505-0473	Elbow, Reducer	1
13	0800-6524-01	Screw, Hex Flange Head	1
14	A034V217	Clamp, Tee Bolt	2
15	0526-0399-58	Washer, Flat	8
16	0850-0114-53	Washer, Lock	8
17	0815-0857-01	Screw, Hex Head	2
18	A043W094	Screw, Socket Head	4
19	A047J626	Bracket	1
20	0856-0010	Washer, Lock	1
21	0526-0399-61	Washer, Flat	1
22	0800-2057	Screw, Hex Head	1
23	A050P864	Breather, Crankcase	1
24	A052G615	Hose, Fuel	1
25	A050W252	Hose, Fuel	1
26	0503-1136	Clamp	4
27	A028X743	Clamp	2
28	0505-2035-01	Plug, Pipe	2
29	A050F613	Tube	1
30	A051F863	Bracket, Support	3
31	A050W423	Clip, Cable	3
32	A052R987	Harness, Ignition	6
33	A048A845	Nut, Hex Flange	4
34	A052R199	Fitting, Elbow	1
35	A050Y446	Hose, Oil	1
36	0821-2048	Screw, Flange Head Lock	2
37	A052W758	Screw, Shoulder	3
38	A047E083	Elbow, Intake	1

Starter



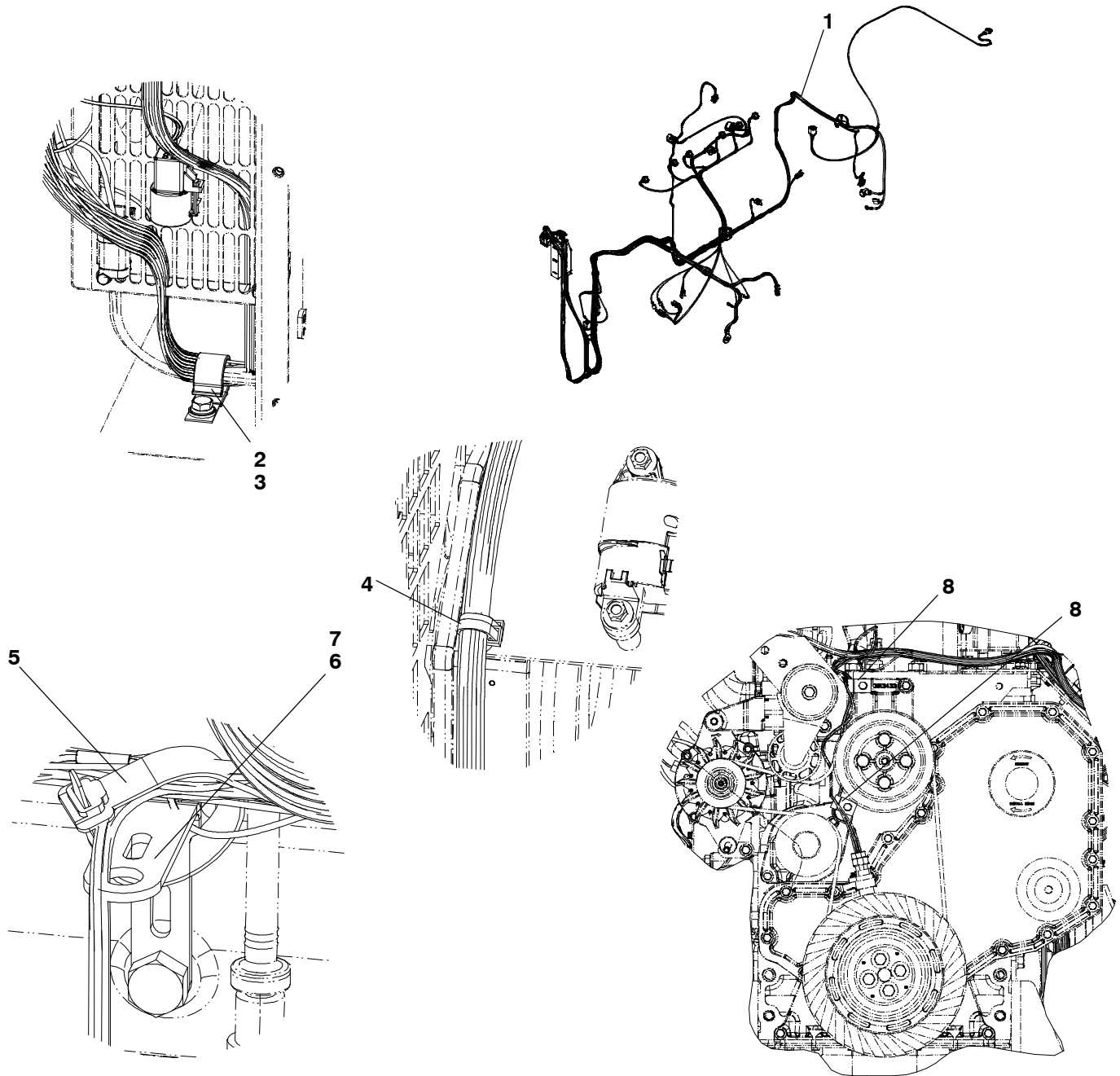
Item	Part No.	Description	Qty
1	A051Z318	Motor, Starter	1

Oil Heater



Item	Part No.	Description	Qty
1	A051F338	Heater, Engine	1
2	0332-1794	Tie, Cable	4
3	A046G477	Label, Marking	1

Engine Harness



Engine Harness

Item	Part No.	Description	Qty
1		Harness, Generator Electrical	
	A047V568	Lean Burn (C100 N6, C70 N6, C80 N6)	1
	A050D475	Rich Burn Witn NA (C45 N6, C50 N6)	1
	A050D475	Rich Burn With Turbo (C60 N6)	1
2	0518-0703	Clamp	2
3	0821-6003-01	Screw, Hex Head	1
4	A044D694	Tie, Cable	A/R
5	A042N860	Tie, Cable	A/R
6	0338-4238-02	Bracket	1
7	0800-2110	Screw, Hex Head	2
8	0518-0548-46	Clamp	2

Long Block Parts for Cummins Distributors Only

Item	Part No.	Description	Qty
	5349396	Block, Cylinder	1
	3900068	Dowel, Ring	2
	3900257	Dowel, Pin	2
	3900630	Screw, Hex Flange Head Cap	2
	3900687	Plug, Expansion	1
	3901249	Screw, Hex Flange Head Cap	2
	3902343	Dowel, Ring	2
	3903744	Tube, Tur Oil Drain	1
	3904046	Plate, Cover	1
	3906704	Seal, O Ring	1
	3920706	Plug, Expansion	1
	3921556	Cap, Tube	2
	3924346	Tee, Female Branch	1
	3926047	Seal, O Ring	1
	3928797	Block, Cylinder	1
	3931623	Tappet, Valve	12
	3936641	Plug, Pipe	1
	3939258	Gasket, Cover Plate	1
	3978818	Bearing, Main	6
	3978820	Bearing, Main	7
	3978822	Bearing, Thrust	1
	4093857	Plug, Pipe	1
	4093866	Plate, Cover	1
	4945464	Tube, Lube Oil Drain	1
	4990174	Nipple, Plain Hexagon	1
	5304129	Crankshaft, Engine	1
	5349397	Housing, Front Gear	1
	3900633	Screw, Hex Flange Head Cap	2
	3916131	Gasket, Gear Housing	1
	4070594	Screw, Hex Flange Head Cap	5
	5253184	Housing, Gear	1
	5349398	Breather, Crankcase	1
	3284623	Gasket, Push Rod Cover	1
	3900629	Screw, Hex Flange Head Cap	6
	3928759	Seal, Grommet	6
	5314573	Cover, Push Rod	1
	5349399	Damper, Vibration	1
	3924584	Screw, Hex Flange Head Cap	4
	5267980	Damper, Tuned Vibration	1
	5303963	Spacer, Crankshaft	1
	5303964	Pulley, Crankshaft	1
		Continued...	

Long Block Parts for Cummins Distributors Only (Continued)

Item	Part No.	Description	Qty
	5349400	Drive, Fro Ger Tra Acc	1
	3901249	Screw, Hex Flange Head Cap	2
	3914868	Plate, Cover	1
	3929751	Gasket, Acc Drive Cover	1
	5349401	Thermostat	1
	4080631	Thermostat	1
	5349402	Alternator	1
	3936680	Alternator	1
	5349403	Drive, Alternator	1
	3900631	Screw, Hex Flange Head Cap	1
	3904446	Screw, Hex Flange Head Cap	1
	3911560	Belt, V Ribbed	1
	3925186	Screw, Flat Head Cap	1
	3925207	Bracket, Belt Tensioner	1
	5333477	Tensioner, Belt	1
	5349404	Mounting, Alternator	1
	3900631	Screw, Hex Flange Head Cap	1
	3908226	Screw, Hex Flange Head Cap	1
	3935267	Clamp, Tube	1
	4947521	Support, Alternator	1
	5285614	Brace, Alternator	1
	5349445	Drive, Fan	1
	3814121	Pulley, Fan	1
	3913433	Support, Fan	1
	3928873	Screw, Hex Flange Head Cap	4
	5349446	Mounting, Fan Pulley	1
	3903990	Screw, Hex Flange Head Cap	4
	5349447	Housing, Flywheel	1
	3900225	Screw, Hex Flange Head Cap	2
	3904181	Plug, Threaded	1
	3910248	Plug, O Ring	1
	3910260	Seal, O Ring	1
	3913638	Screw, Hex Flange Head Cap	6
	3920447	Screw, Hex Flange Head Cap	8
	4947667	Gasket, Rear Cover	1
	5271139	Housing, Flywheel	1
	5274159	Cover, Rear	1
	5305032	Plate, Cover	1
	5349448	Mounting, Flywheel	1
	5297582	Screw, Captive Washer Cap	8
		Continued...	

Long Block Parts for Cummins Distributors Only (Continued)

Item	Part No.	Description	Qty
	5349449	Flywheel	1
	4093655	Flywheel	1
	5349450	Cover, Front Gear	1
	3900633	Screw, Hex Flange Head Cap	8
	3902114	Screw, Hex Flange Head Cap	1
	3903463	Cover, Access Hole	1
	3903475	Seal, Rectangular Ring	1
	3917801	Cover, Gear	1
	3924962	Screw, Hex Flange Head Cap	10
	5295530	Adapter, Sensor	1
	5317249	Screw, Socket Head Cap	1
	5349451	Manifold, Air Intake	1
	5342390	Cover, Intake Manifold	1
	3938152	Gasket, Intake Manifold Cover	1
	3918109	Screw, Hex Flange Head Cap	14
	5349452	System, Ignition	1
	A047K691	Plug, Spark	6
	5349453	Arrangement, Lifting	1
	3281012	Bracket, Engine Lifting	1
	3910495	Screw, Hex Flange Head Cap	2
	5349454	Cooler, Engine Oil	1
	3900632	Screw, Hex Flange Head Cap	14
	3918256	Gasket, Oil Cooler Core	1
	3918257	Gasket, Filter Head	1
	3918428	Plunger, Pressure Regulator	1
	3918954	Head, Lub Oil Filter	1
	3919686	Plug, Threaded	1
	3921558	Core, Cooler	1
	3925009	Spring, Compression	1
	3929457	Seal, O Ring	1
	3936365	Valve, Pressure Relief	1
	4093857	Plug, Pipe	1
	5273979	Plug, Threaded	1
	5349455	Filter, Fuel Flow Oil	1
	3937743	Cartridge, Lub Oil Filter	1
	5349456	Gauge, Oil Level	1
	3900955	Plug, Expansion	1
	4080672	Tube, Oil Gauge	1
	4080673	Dipstick	1
		Continued...	

Long Block Parts for Cummins Distributors Only (Continued)

Item	Part No.	Description	Qty
	5349457	Pump, Lubricating Oil	1
	3900667	Screw, Hex Flange Head Cap	4
	3937404	Pump, Lubricating Oil	1
	5349458	Pan, Oil	1
	3282266	Plug, Threaded	1
	3287561	Washer, Sealing	1
	3900630	Screw, Hex Flange Head Cap	2
	3900631	Screw, Hex Flange Head Cap	2
	3915703	Pan, Oil	1
	3921992	Connection, Oil Suction	1
	3924147	Plug, Threaded	1
	3927167	Plate, Cylinder Block Stiffen	1
	3938157	Gasket, Flange	1
	5265968	Washer, Sealing	1
	5286931	Screw, Hex Flange Head Cap	36
	5349459	Camshaft	1
	3900227	Screw, Hex Head Cap	2
	3927155	Support, Camshaft Thrust	1
	3929042	Camshaft	1
	3936612	Key, Plain Woodruff	1
	3967615	Gear, Camshaft	1
	5349460	Piston, Engine	1
	3902400	Ring, Compression Piston	6
	3920691	Ring, Retaining	12
	3932520	Ring, Oil Piston	6
	3934047	Pin, Piston	6
	3937214	Nozzle, Piston Cooling	6
	3940777	Ring, Compression Piston	6
	3969562	Bearing, Connecting Rod	6
	4893693	Bearing, Connecting Rod	6
	4943979	Rod, Engine Connecting	6
	5319143	Piston, Engine	6
	5349461	Head, Cylinder	1
	3283570	Gasket, Cylinder Head	1
	3920779	Screw, Hex Flange Head Cap	6
	3920780	Screw, Hex Flange Head Cap	14
	3936641	Plug, Pipe	3
	3936642	Plug, Pipe	1
	4946426	Head, Cylinder	1
		Continued...	

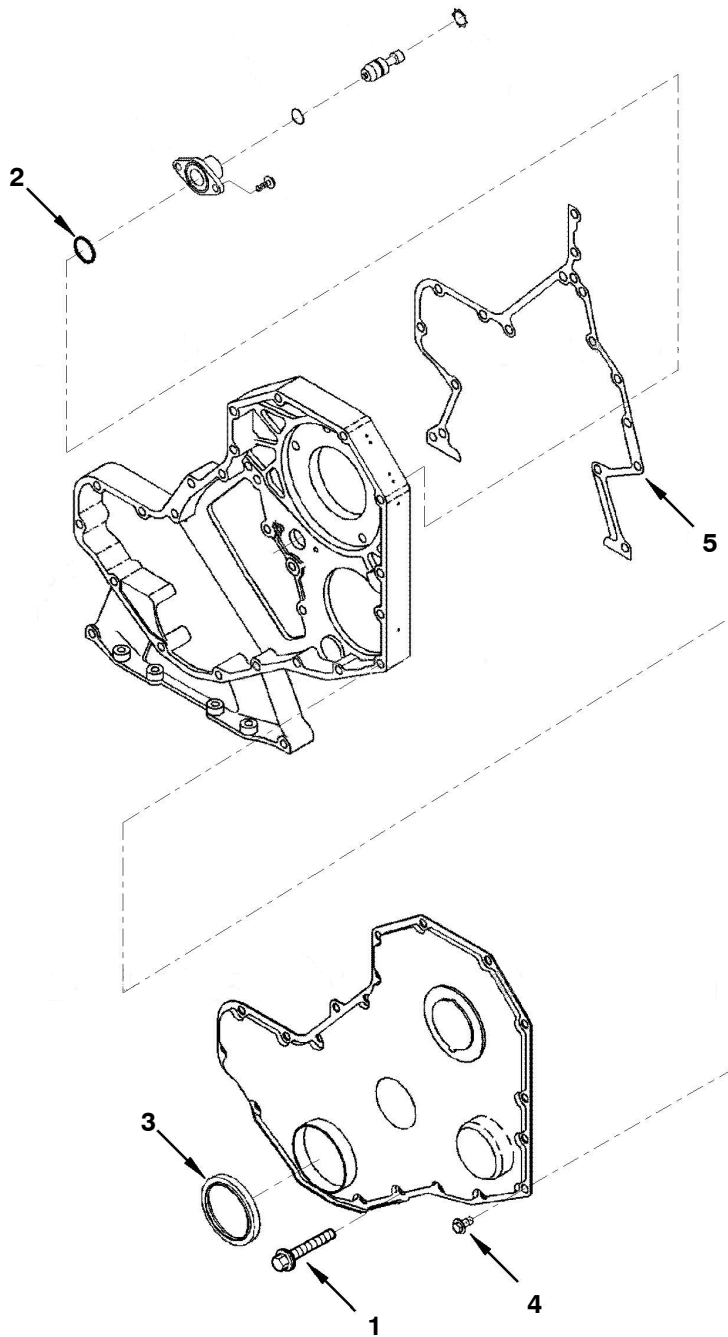
Long Block Parts for Cummins Distributors Only (Continued)

Item	Part No.	Description	Qty
	5349462	Lever, Rocker	1
	3284377	Rod, Push	12
	3901221	Screw, Hex Head Cap	6
	3920781	Screw, Hex Flange Head Cap	6
	3934920	Support, Rocker Lever	6
	5349463	Vent, Engine Coolant	1
	3935266	Connector, Male	1
	5349464	Mounting, Starting Motor	1
	3903834	Screw, Twelve Point Cap	3
	5349465	Paint	1
	5349466	Motor, Starting	1
	4080645	Motor, Starting	1
	5349467	Housing, Thermostat	1
	3281246	Bracket, Engine Lifting	1
	3900678	Screw, Hex Flange Head Cap	1
	3900956	Plug, Expansion	1
	3906697	Seal, Rectangular Ring	1
	3913366	Screw, Hex Flange Head Cap	2
	3924473	Housing, Thermostat	1
	3936641	Plug, Pipe	1
	5349468	Arrangement, Valve Cover	1
	3901895	Cap, Filler	1
	3907049	Screw, Hex Flange Head Cap	6
	3928404	Cover, Valve	5
	3928405	Cover, Valve	1
	3930906	Gasket, Valve Cover	6
	3935449	Isolator, Noise	6
	3936876	Seal, Rectangular Ring	1
	5349469	Connection, Water Inlet	1
	3901757	Screw, Hex Flange Head Cap	3
	3906697	Seal, Rectangular Ring	1
	3934878	Connection, Water Inlet	1
	3936641	Plug, Pipe	2
	5349470	Connection, Water Outlet	1
	3900630	Screw, Hex Flange Head Cap	2
	3912558	Gasket, Connection	1
	4080781	Connection, Water Outlet	1
		Continued...	

Long Block Parts for Cummins Distributors Only (Continued)

Item	Part No.	Description	Qty
	5349471	Pump, Water	1
	3900227	Screw, Hex Head Cap	2
	3903297	Seal, O Ring	1
	5314946	Pump, Water	1
	5349472	Manifold, Premium Exhaust	1
	3818823	Stud, Double End Plain	4
	3905443	Gasket, Exhaust Manifold	6
	3917700	Manifold, Exhaust	1
	3944593	Screw, Hex Flange Head Cap	12

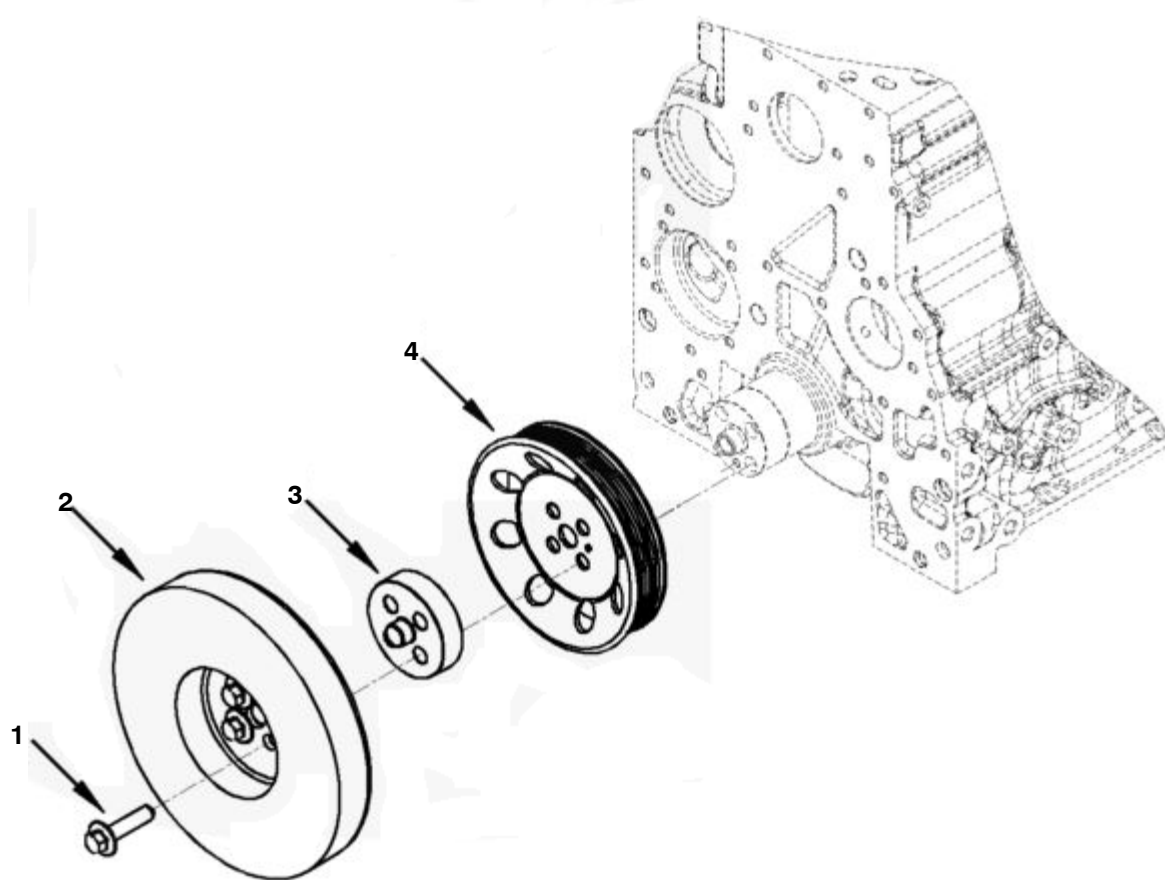
Engine Service Parts Front Gear Cover



Front Gear Cover

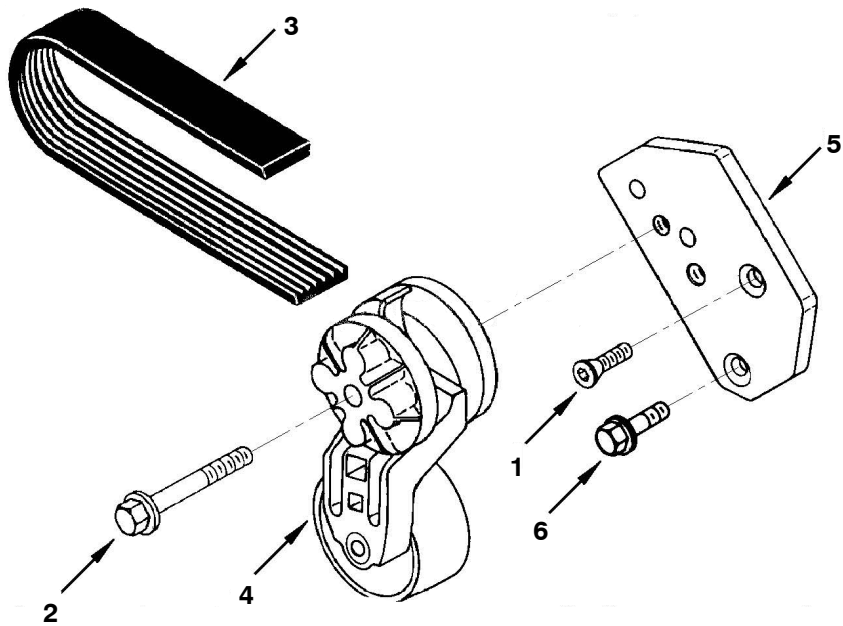
Item	Part No.	Description	Qty
1	3900633	Screw, Hex Flange Head	8
2	3903475	Seal, Rectangular Ring	1
3	5289874	Seal, Oil	1
4	3924962	Screw, Hex Flange Head	10
5	3938156	Gasket, Gear Housing	1
6	3937111	Front Seal Service Kit (Not Shown)	1
7	3902114	Screw, Hex Flange Head (M8 x 1.25 x 30) (Not Shown)	1
8	5317249	Screw, Socket Head Cap (M8 x 1.25 x 50) (Not Shown)	1

Vibration Dampner



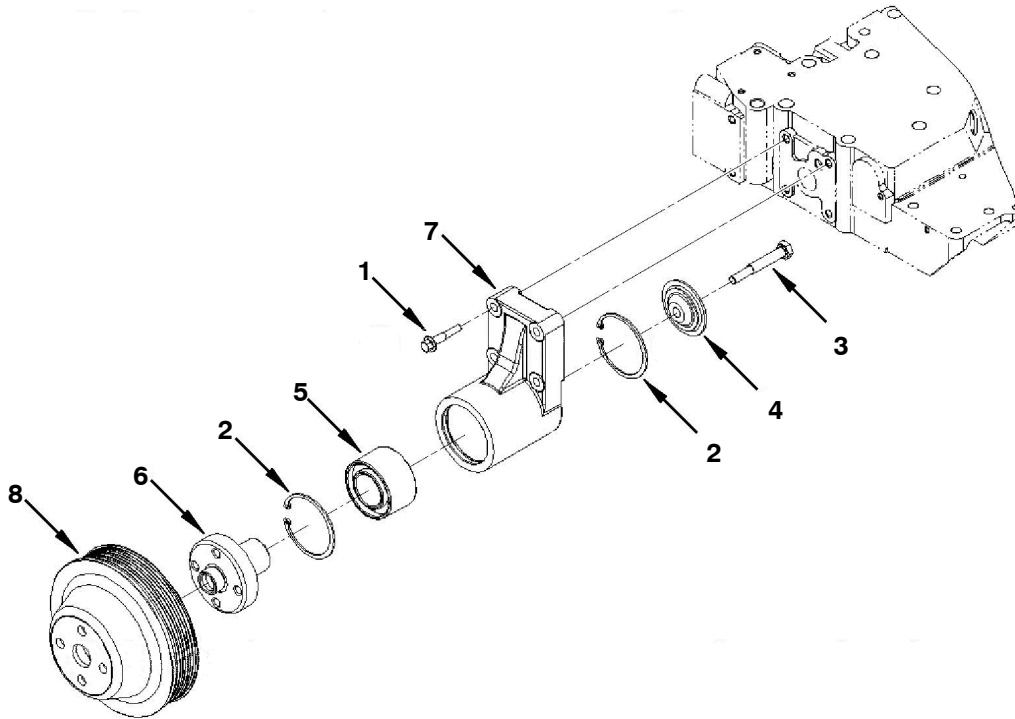
Item	Part No.	Description	Qty
1	3924584	Screw, Hex Flange Head	4
2	5267980	Damper, Vibration	1
3	5303963	Spacer, Crankshaft	1
4	5303964	Pulley, Crankshaft	1

Alternator Drive



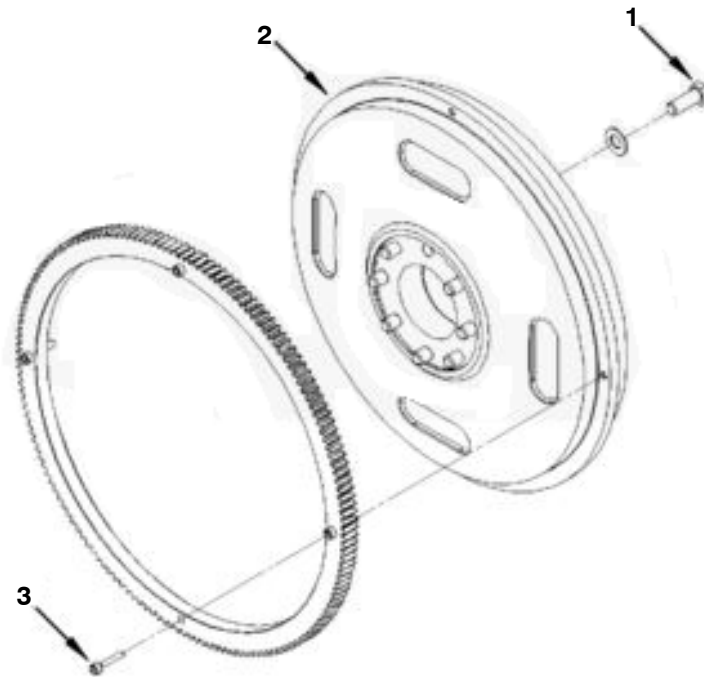
Item	Part No.	Description	Qty
1	3925186	Screw, Flat Head Cap	1
2	3904446	Screw, Hex Flange Head	1
3	3911560	Belt, V Ribbed	1
4	5333477	Tensioner, Belt	1
5	3925207	Bracket, Belt Tensioner	1
6	3900631	Screw, Hex Flange Head	2

Fan Drive



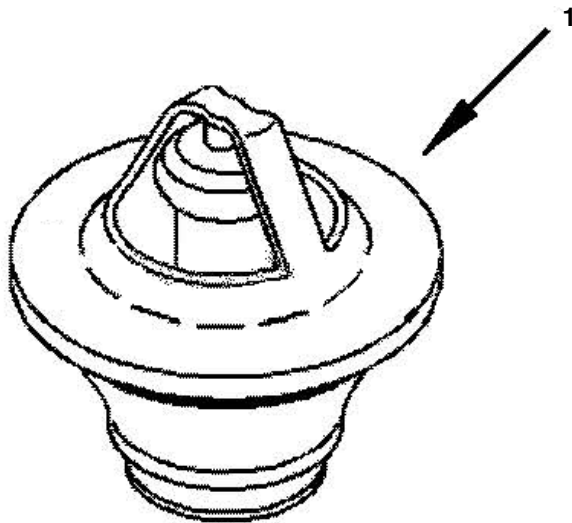
Item	Part No.	Description	Qty
1	3928873	Screw, Hex Flange Head	4
2	3035960	Ring, Retaining	2
3	3907769	Screw, Hex Head Cap	1
4	3923044	Retainer, Fan Hub	1
5	3910739	Bearing, Ball	1
6	5272335	Hub, Fan	1
7	5260996	Support, Fan	1
8	3814121	Pulley, Fan	1

Flywheel



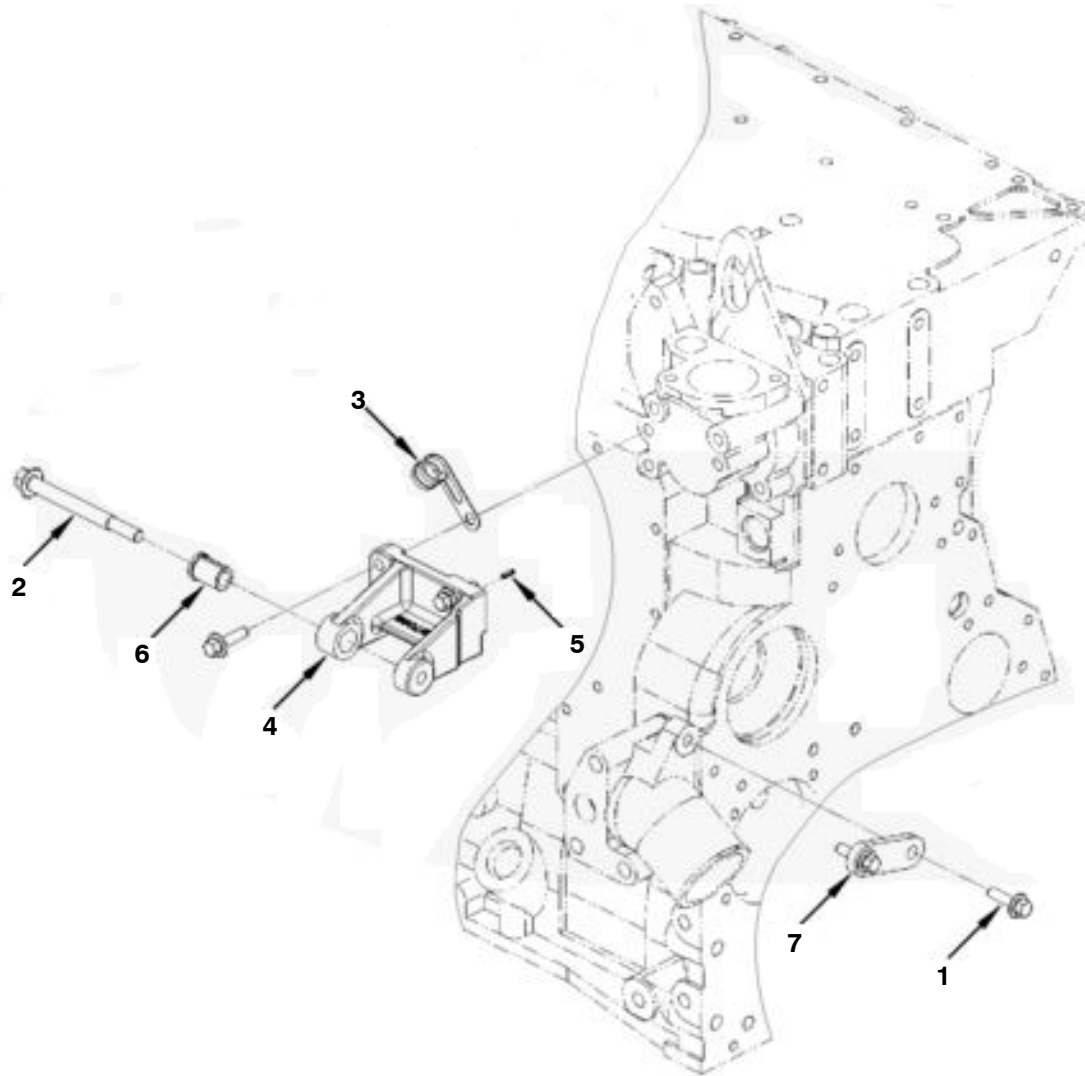
Item	Part No.	Description	Qty
1	5297582	Screw, Captive Washer	8
2	4093655	Flywheel	1
3	3919448	Screw, Socket	4

Thermostat



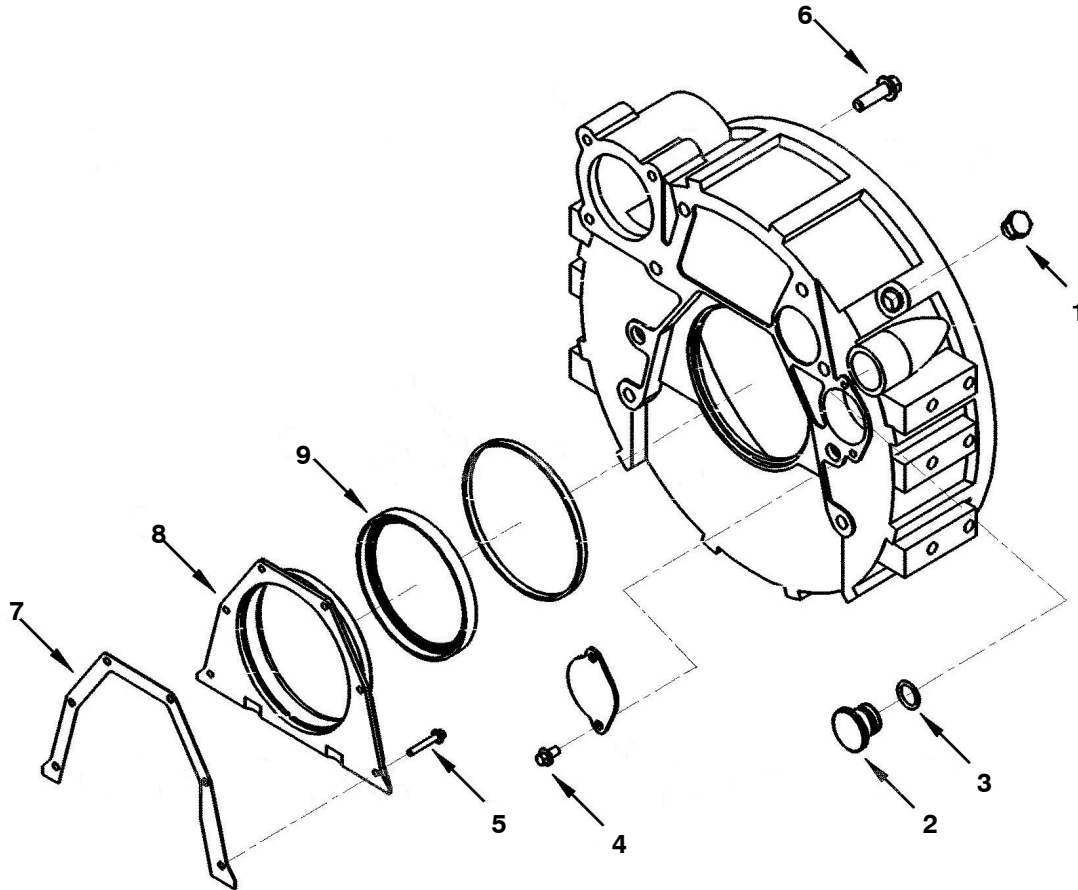
Item	Part No.	Description	Qty
1	4080631	Thermostat	1

Alternator Mounting



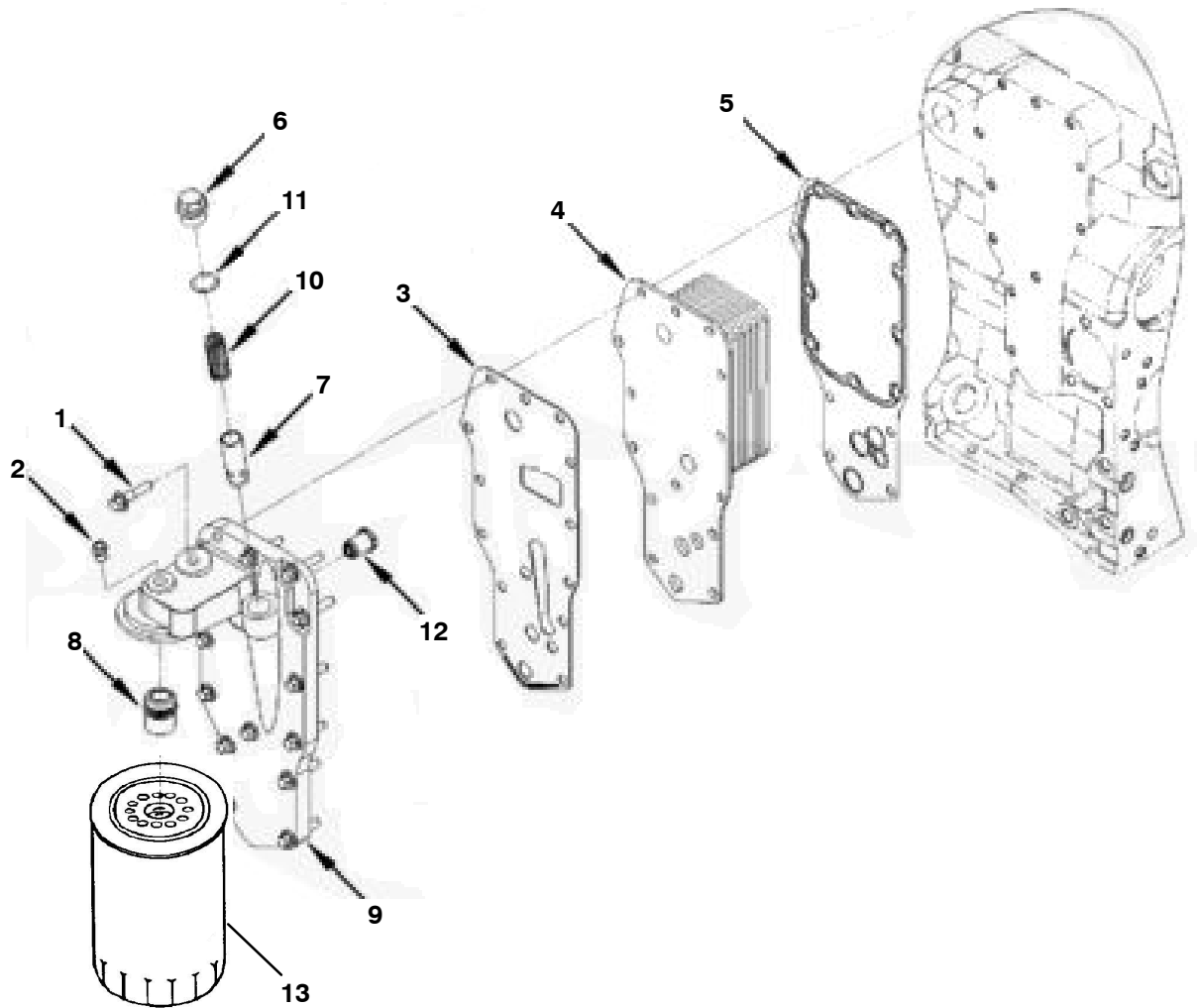
Item	Part No.	Description	Qty
1	3900631	Screw, Hex Flange Head	5
2	3908226	Screw, Hex Flange Head	1
3	3935267	Clamp, Tube	1
4	4947521	Support, Alternator	1
5	3520815	Pin, Roll	2
6	3910715	Spacer, Mounting	1
7	5285614	Brace, Alternator	1

Flywheel Housing



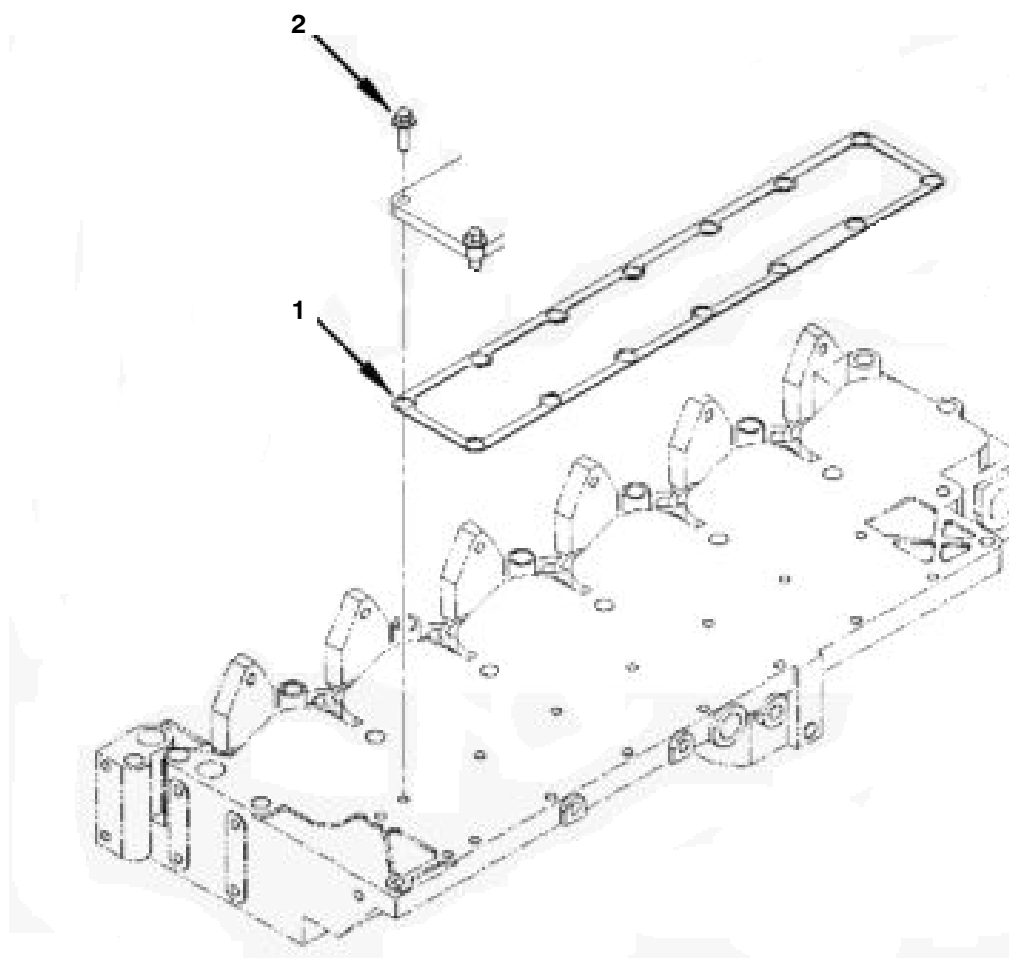
Item	Part No.	Description	Qty
1	3904181	Plug, Threaded	1
2	3910248	Plug, O Ring	1
3	3910260	Seal, O Ring	1
4	3900225	Screw, Hex Head Cap	2
5	3913638	Screw, Hex Flange Head	6
6	3920447	Screw, Hex Flange Head	8
7	4947667	Gasket, Rear Cover	1
8	5274159	Cover, Rear	1
9	4988952	Seal, Oil	1

Lube Oil Cooler



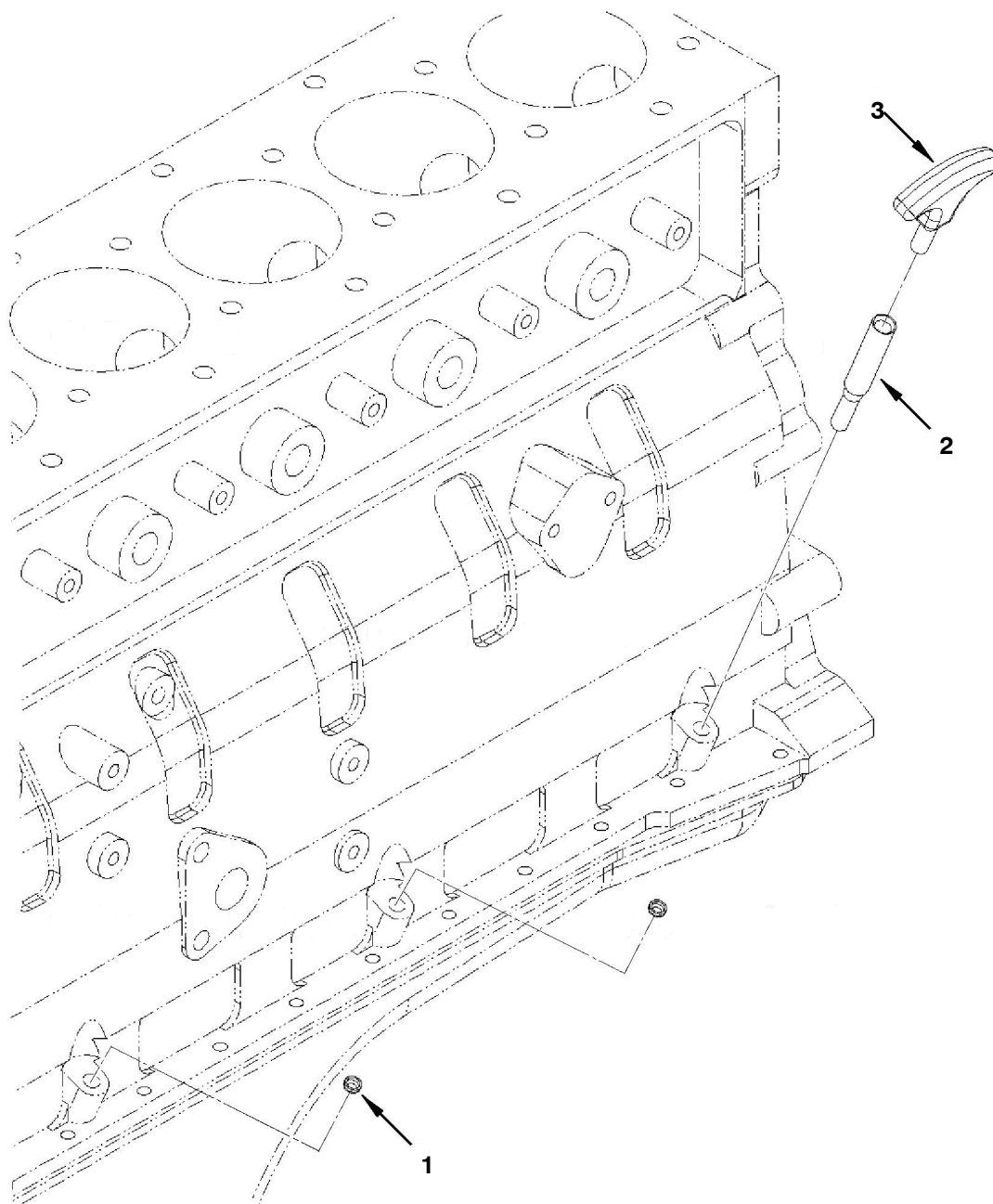
Item	Part No.	Description	Qty
1	3900632	Screw, Hex Flange Head Cap (M8 x 1.25 x 35)	14
2	3906619	Plug, Pipe (1/8)	1
3	3942915	Gasket, Filter Head	1
4	3957644	Core, Cooler	1
5	4932124	Gasket, Oil Cooler Core	1
6	3915787	Plug, Threaded	1
7	3918428	Plunger, PRS Regulator	1
8	3909355	Adapter, Filter Head	1
9	3918954	Head, Lube Oil Filter	1
10	3918427	Spring, Compression	1
11	3929457	Seal, O Ring	1
12	3936365	Valve, Pressure Relief	1
13	LF3959	Cartridge, Lube Oil Filter	1
14	3919686	Plug, Threaded (Not Shown)	1

Air Intake Manifold



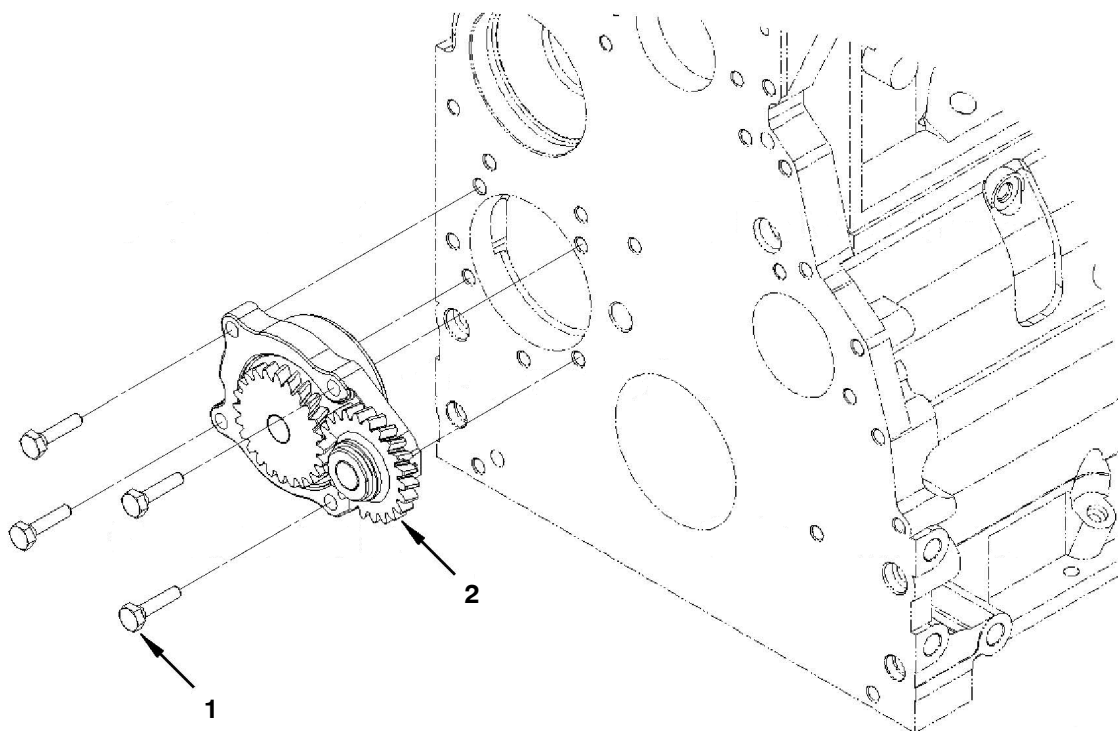
Item	Part No.	Description	Qty
1	3938152	Gasket, Intake Manifold Cover	1
2	3918109	Screw, Hex Flange Head	14

Oil Level Gauge



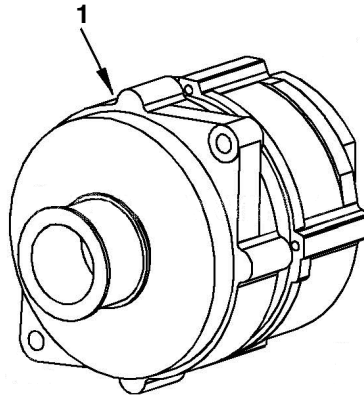
Item	Part No.	Description	Qty
1	3900955	Plug, Expansion	2
2	4080672	Tube, Oil Gauge	1
3	4080673	Dipstick	1

Oil Pump



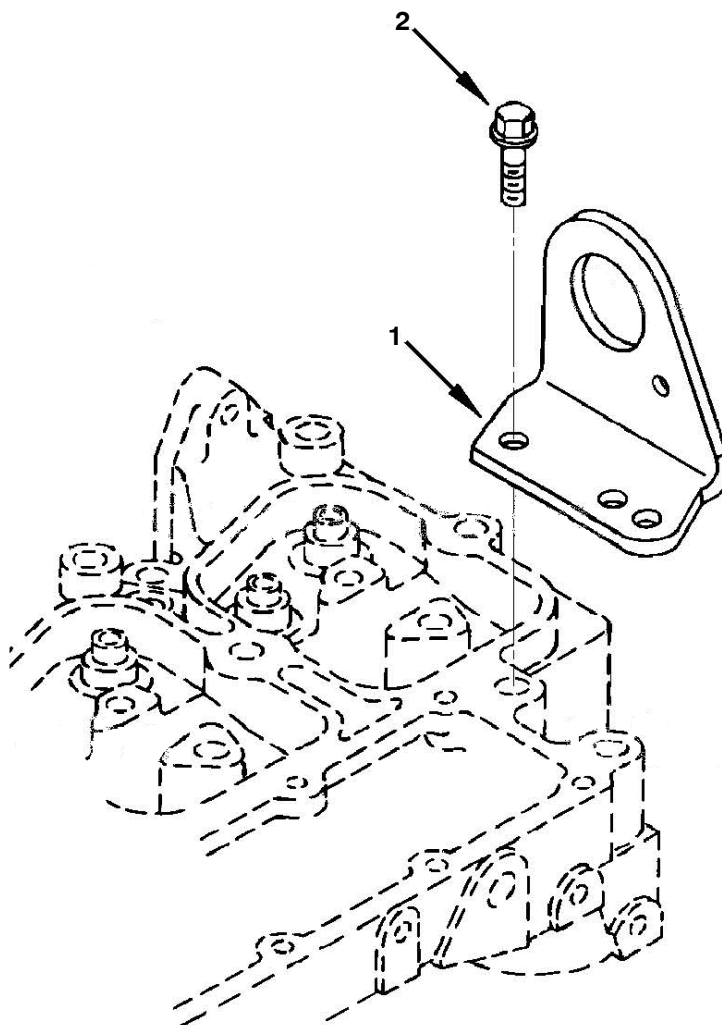
Item	Part No.	Description	Qty
1	3900677	Screw, Hex Head Cap	4
2	4939587	Pump, Lubricating Oil	1

Alternator



Item	Part No.	Description	Qty
1	3936680	Alternator (12V)	1

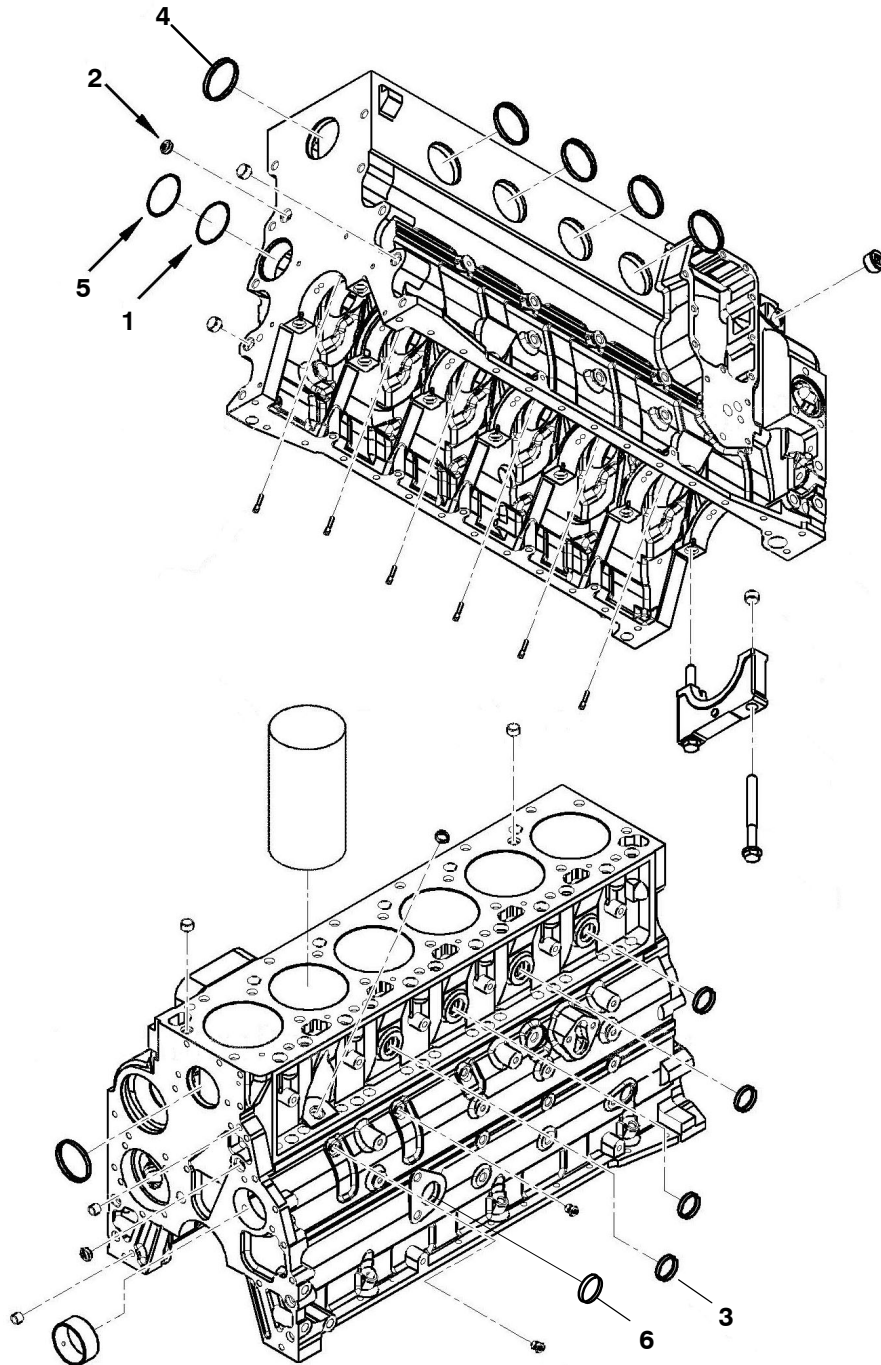
Engine Lifting Bracket



Item	Part No.	Description	Qty
1	3281012	Bracket, Lifting	1
2	3910495	Screw, Hex Flange Head Cap (M12 x 1.75 x 30)	2

This page is Intentionally blank.

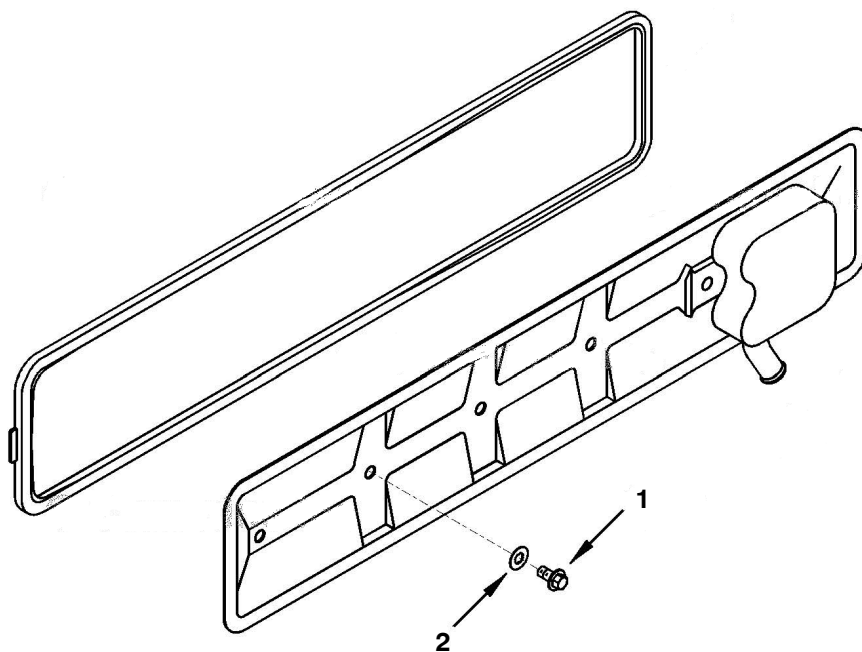
Cylinder Block



Cylinder Block

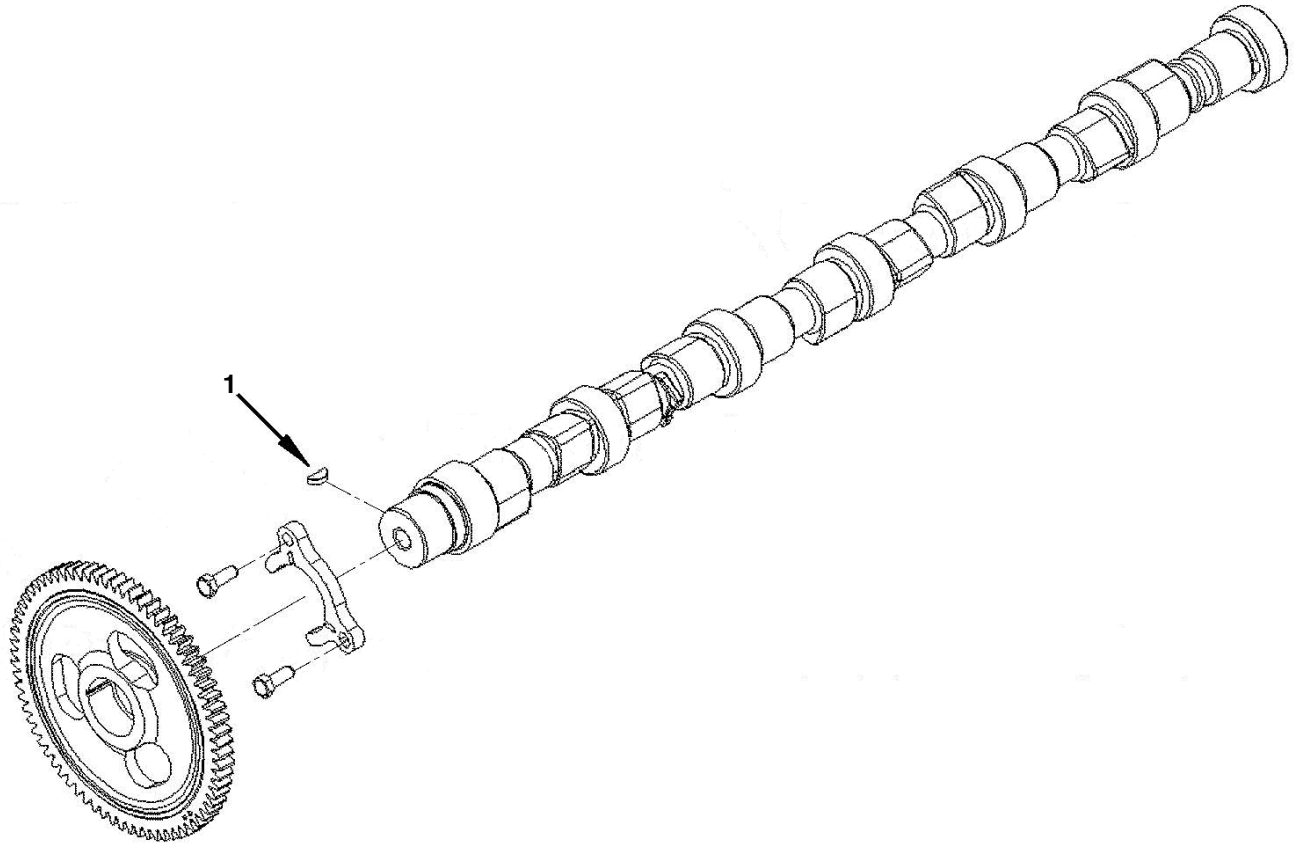
Item	Part No.	Description	Qty
1	3926047	Seal, O Ring	1
2	3900956	Plug, Expansion (17.73 mm)	3
3	4938189	Plug, Expansion	6
4	3007635	Plug, Expansion	4
5	3900687	Plug, Expansion	1
6	3920706	Plug, Expansion	1

Cam Follower Cover



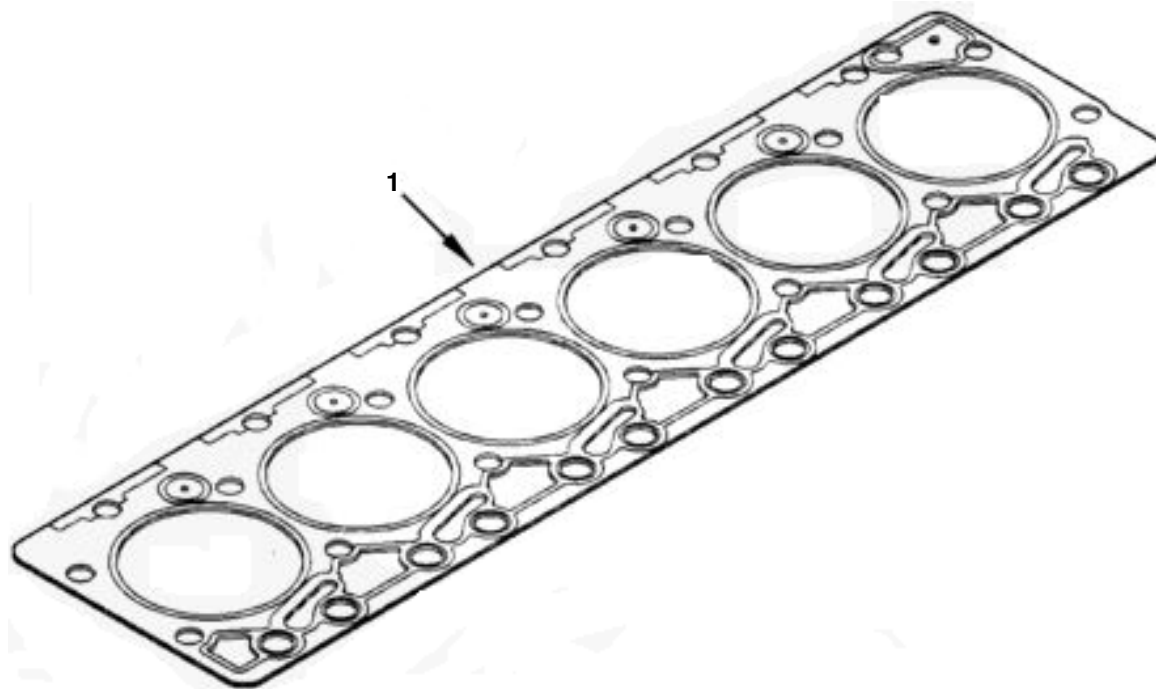
Item	Part No.	Description	Qty
1	3900629	Screw, Hex Flange Head	6
2	3928759	Seal, Grommet	6

Camshaft (Woodruff Key)



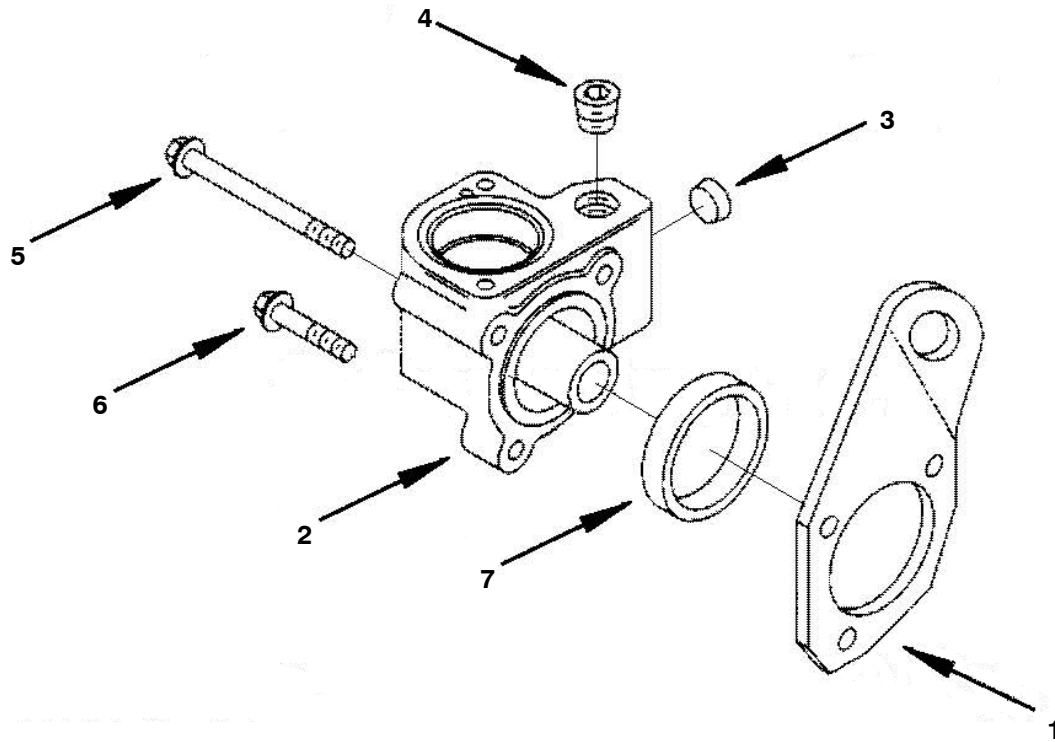
Item	Part No.	Description	Qty
1	3936612	Key, Plain Woodruff	1

Cylinder Head Gasket



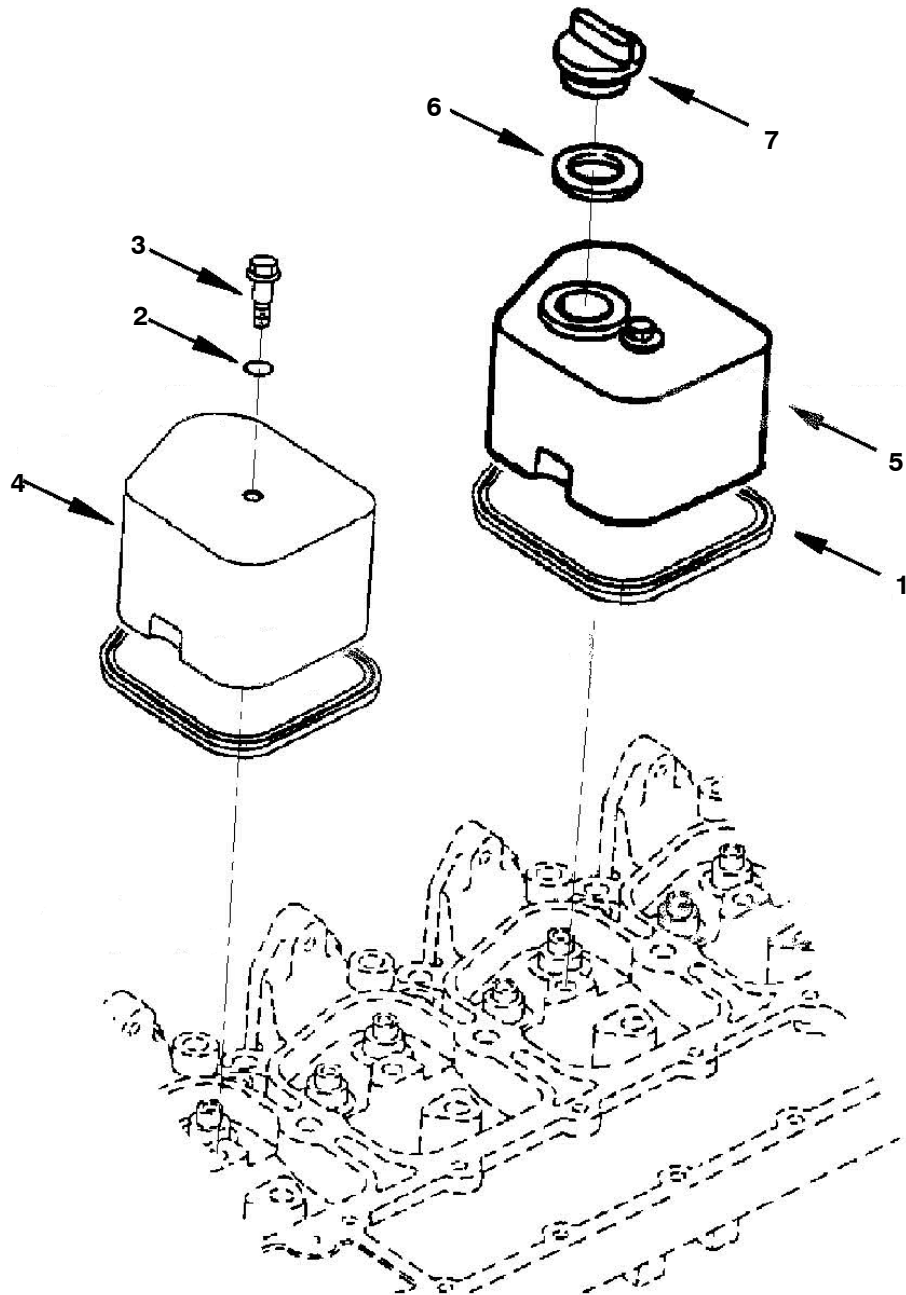
Item	Part No.	Description	Qty
1	3283335	Gasket, Cylinder Head	1

Thermostat Housing



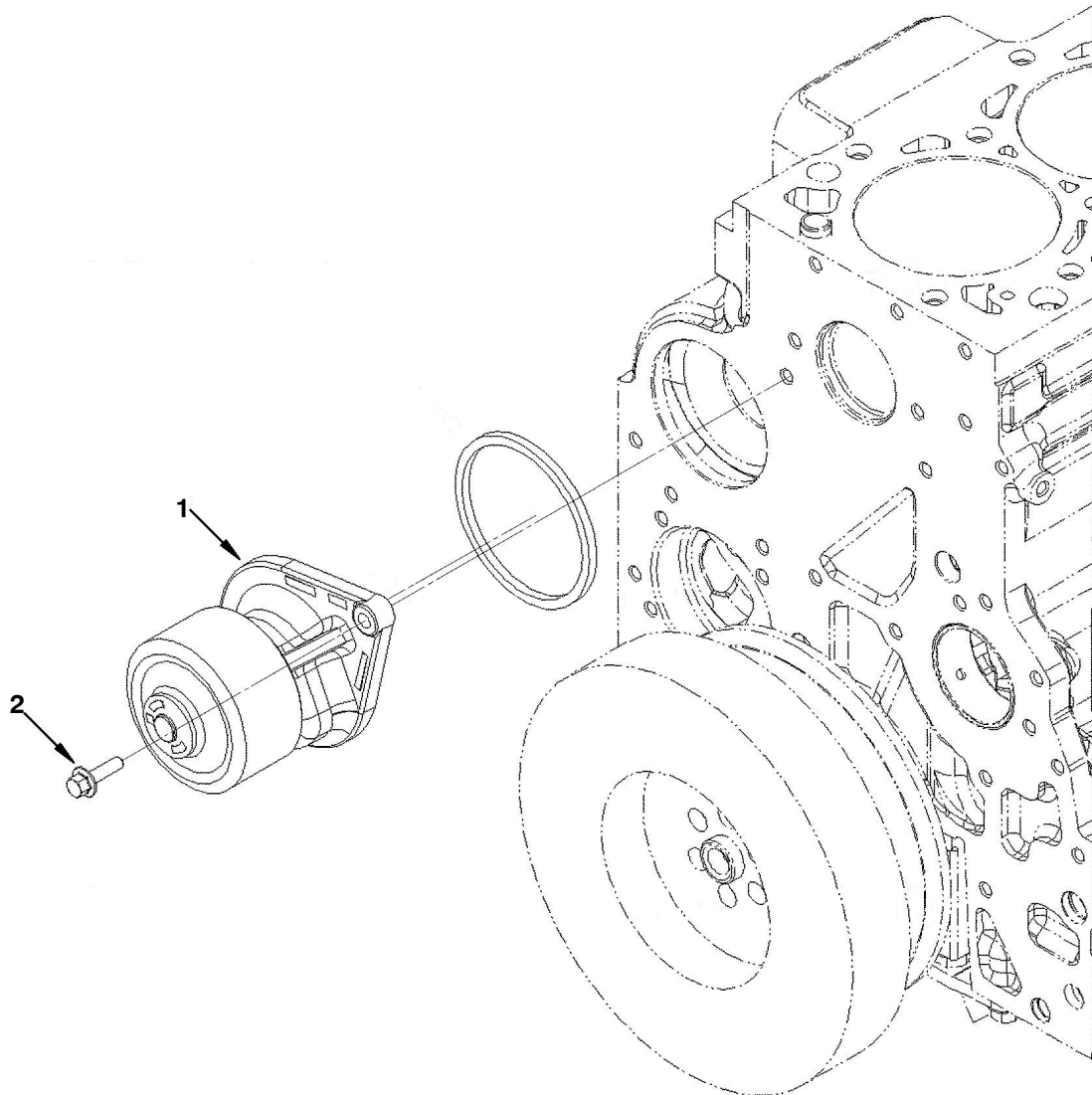
Item	Part No.	Description	Qty
1	3903757	Bracket, Lifting	1
2	3924473	Housing, Thermostat	1
3	3900956	Plug, Expansion	1
4	4931643	Plug, Pipe	1
5	3919995	Screw, Hex Flange Head	2
6	3928873	Screw, Hex Flange Head	1
7	3906697	Seal, O Ring	1

Valve Cover



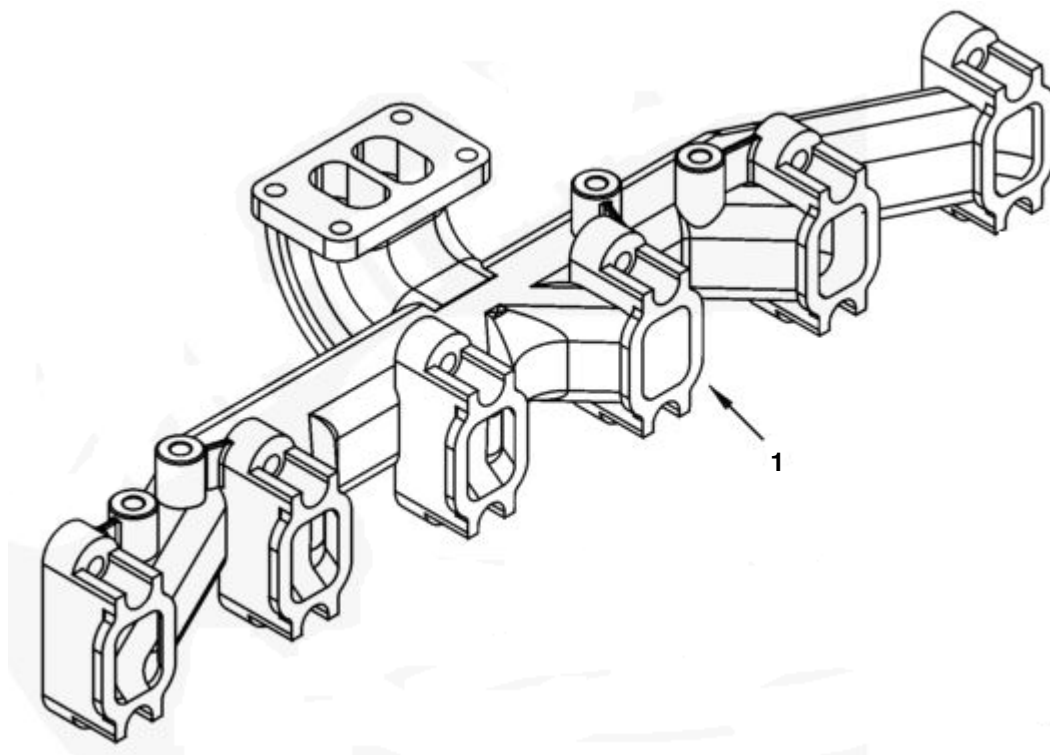
Item	Part No.	Description	Qty
1	3930906	Gasket, Valve Cover	6
2	3935449	Isolator, Noise	6
3	3907049	Screw, Hex Flange Head Cap (M8 x 1.25 x 21)	6
4	3928404	Cover, Valve	5
5	3928405	Cover, Valve	1
6	3936876	Seal, Rectangular Ring	1
7	3901895	Cap, Filler	1

Water Pump



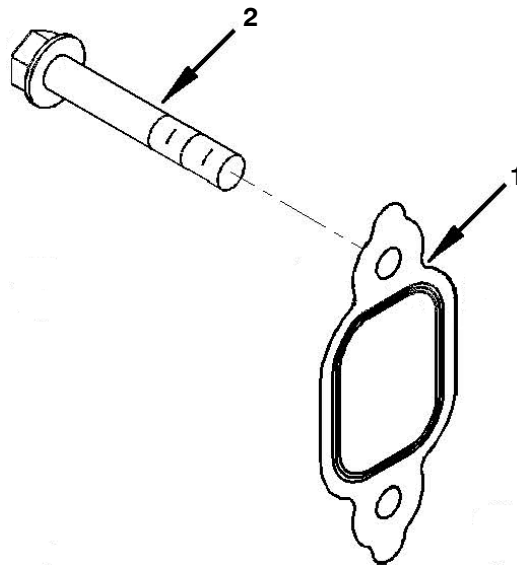
Item	Part No.	Description	Qty
1	5314946	Pump, Water	1
2	3941981	Screw, Hex Flange Head	2

Exhaust Manifold



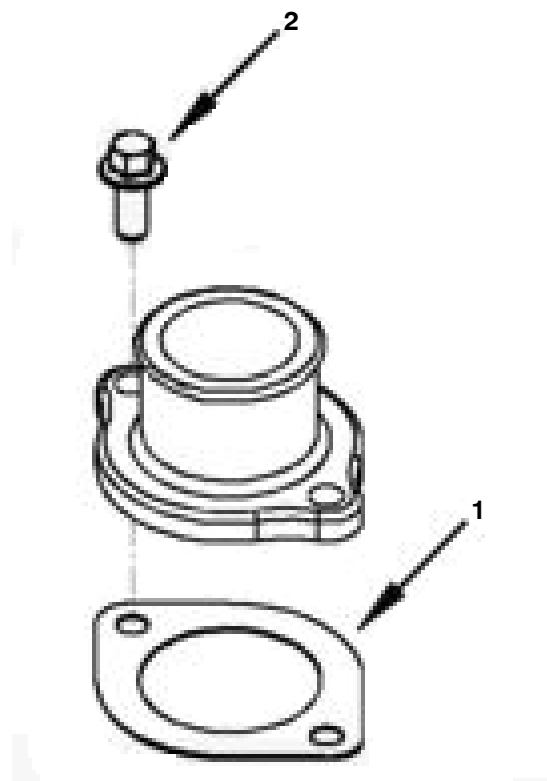
Item	Part No.	Description	Qty
1	3917700	Manifold, Exhaust	1

Exhaust Manifold Mounting



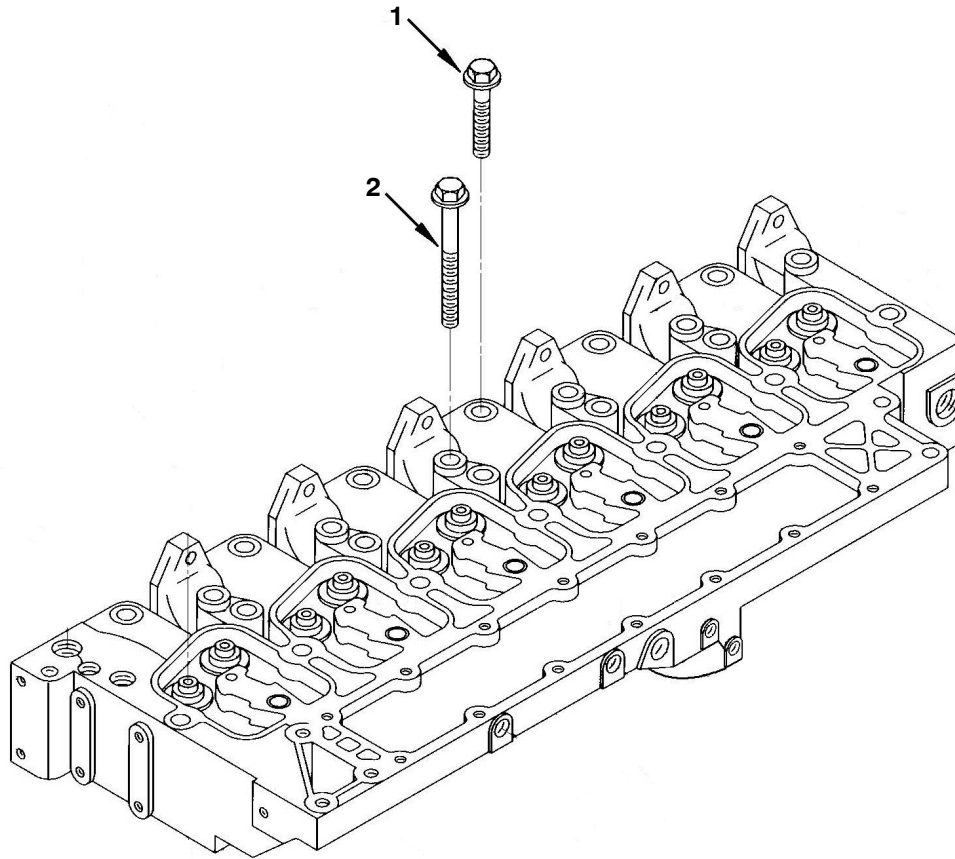
Item	Part No.	Description	Qty
1	3927154	Gasket, Exhaust Manifold	6
2	3944593	Screw, Hex Flange Head	12

Water Outlet Connection



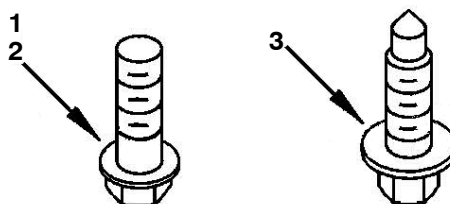
Item	Part No.	Description	Qty
1	3912558	Gasket, Connection	1
2	3900630	Screw, Hex Flange Head	2

Cylinder Head Screws



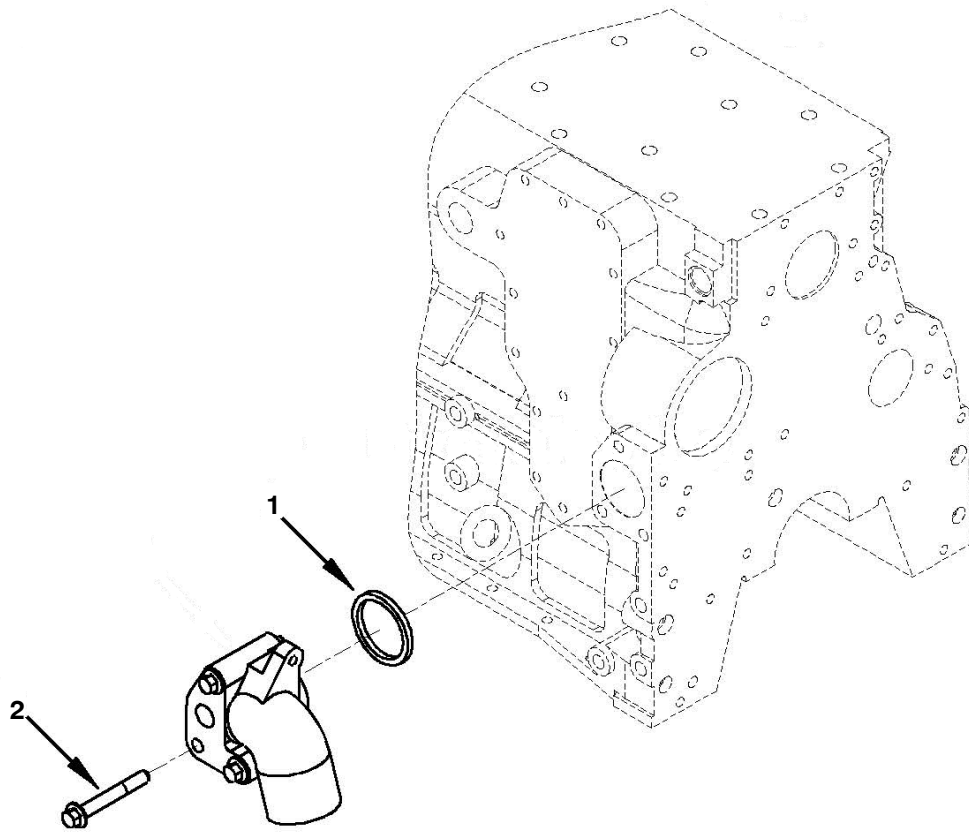
Item	Part No.	Description	Qty
1	3920779	Screw, Hex Flange Head	6
2	3920780	Screw, Hex Flange Head	14

Oil Pan Mounting



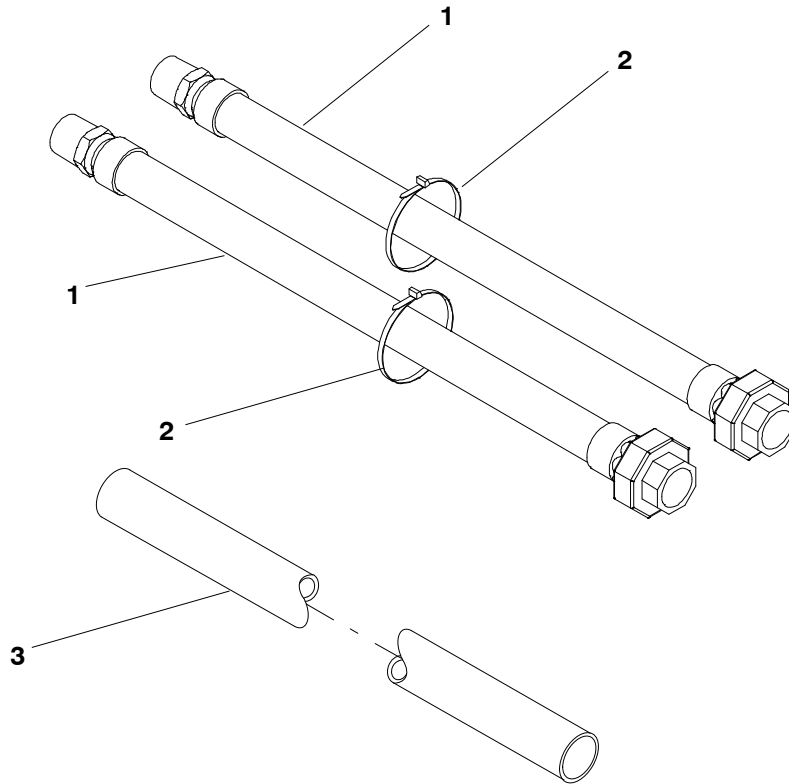
Item	Part No.	Description	Qty
1	3900630	Screw, Hex Flange Head (M8 x 1.25 x 20)	2
2	3900631	Screw, Hex Flange Head (M8 x 1.25 x 25)	2
3	3907860	Screw, Hex Flange Head (M8 x 1.25 x 25)	36

Water Inlet Connection



Item	Part No.	Description	Qty
1	3906697	Seal, Rectangular Ring	1
2	3901757	Screw, Hex Flange Head	3

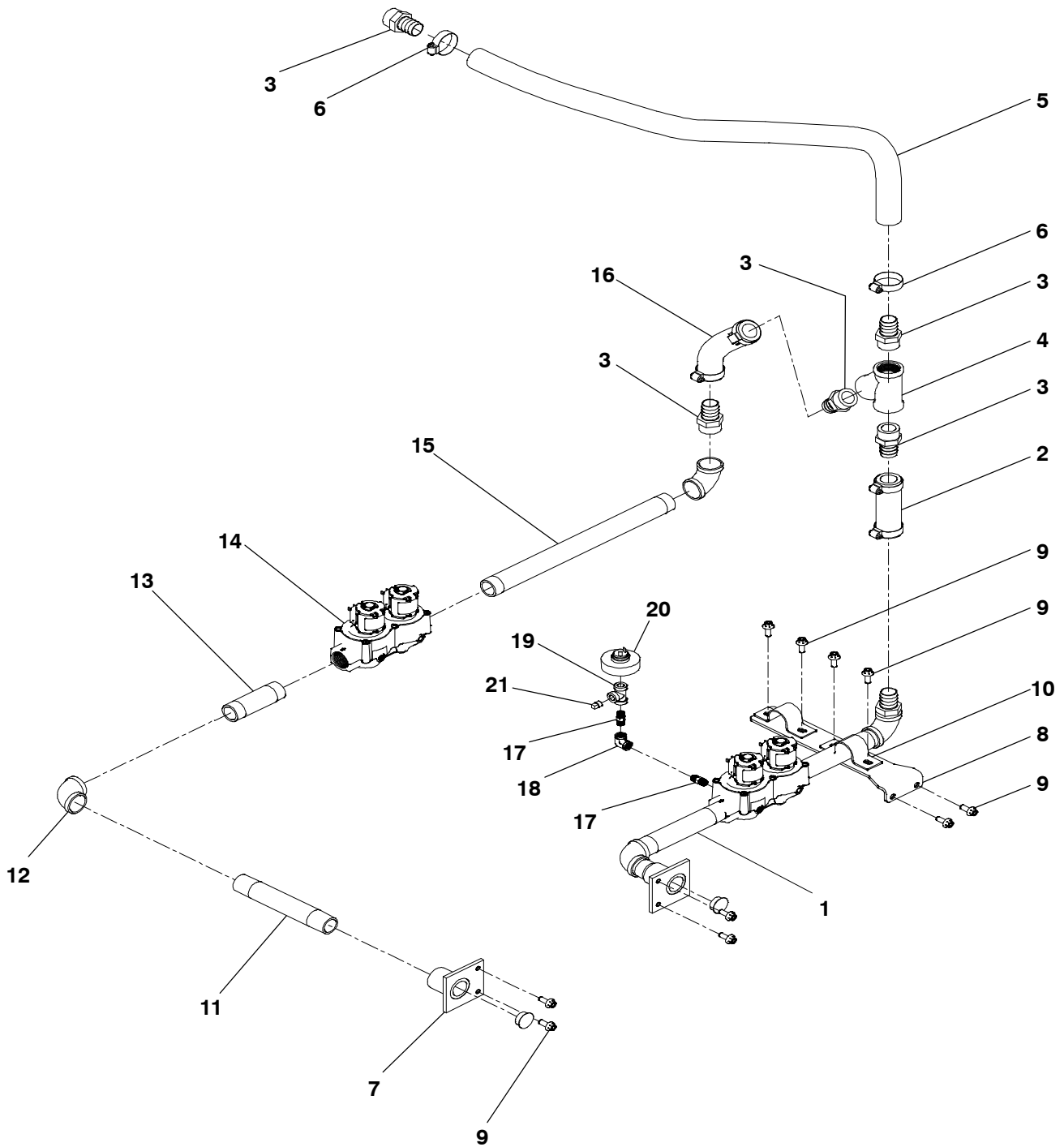
Fuel Pipes and Hoses



Item	Part No.	Description	Qty
1		Line, Fuel	
	0501-0776-02	NG or LPV – Single (With CSA Compliant)	A/R
	0501-0776-03	NG/LPV with Automatic Change Over and NG or LPV – Single (Without CSA Compliant)	A/R
2	0332-1389	Tie, Cable	A/R
3		Hose, Fuel	
	A041E785	414mm	-
	A041E787	358mm	-

This page is Intentionally blank.

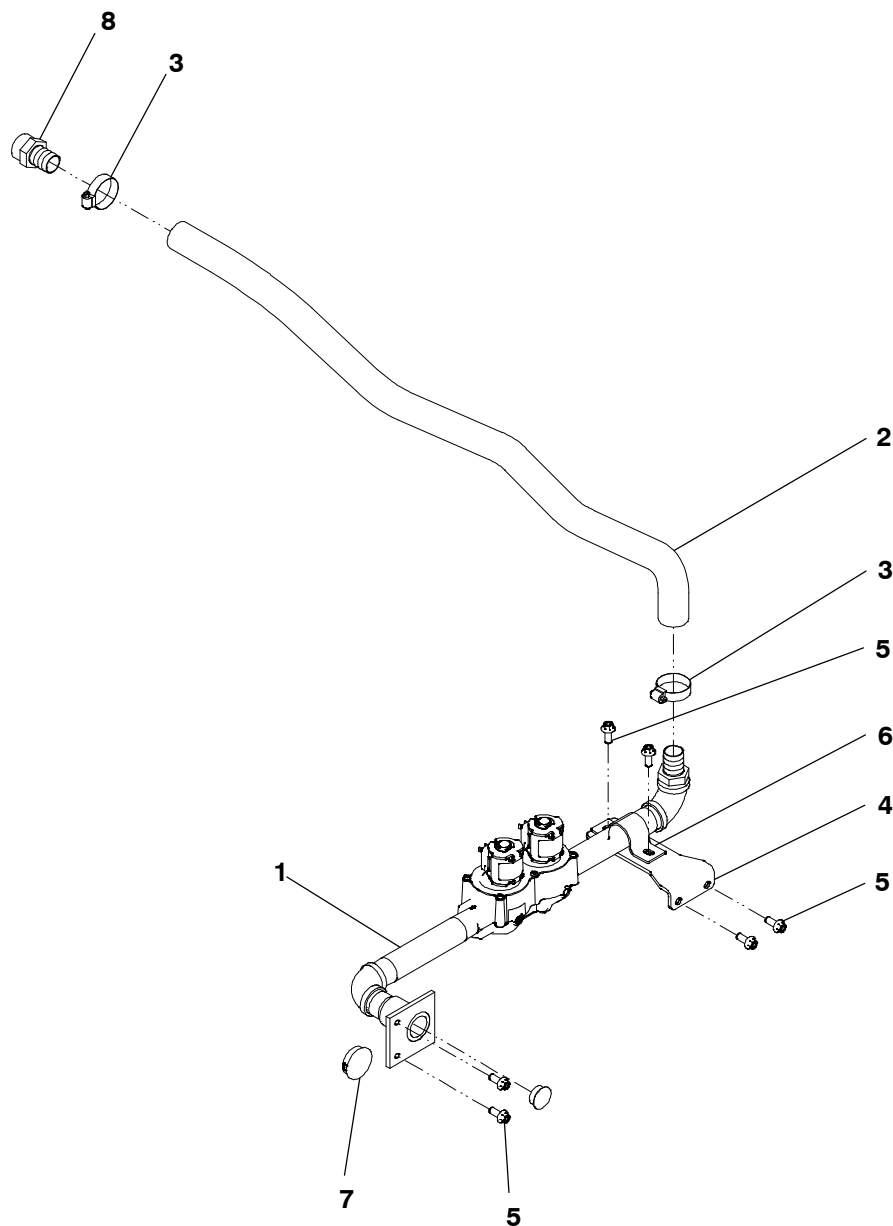
Fuel Supply NG/LPV with Automatic Change Over



Fuel Supply – NG/LPV with Automatic Change Over

Item	Part No.	Description	Qty
1		Module, Fuel System (See Page 92 for Components)	1
2	A045K281	Hose, Fuel	1
3	0502-1110	Fitting, Hose Connector	5
4	A045J775	Fitting, Hose Connector	1
5		Hose, Fuel	
	A047K460	C45 N6, C50 N6	1
	0503-2353-08	C60 N6	1
	A047E091	C70 N6, C80 N6, C100 N6	1
6	0503-1138	Clamp	6
7	A041L590	Support, Fuel System	1
8	A050L324	Bracket, Fuel System	1
9	0815-0858-02	Screw, Hex Flange Head	10
10	A050U658	Clamp	2
11	0505-1524	Fitting, Nipple	1
12	0505-0041	Elbow, Pipe	2
13	0505-0331	Fitting, Nipple	1
14	A043V085	Valve, Shutoff	1
15	0505-2510	Fitting, Nipple	1
16	A047K456	Hose, Fuel	1
17	A047K791	Fitting, Nipple	2
18	A047K793	Elbow	1
19	0505-0059	Tee, Pipe Tee	1
20	A045B239	Switch, Pressure	1
21	0505-0057	Plug, Square Head	1

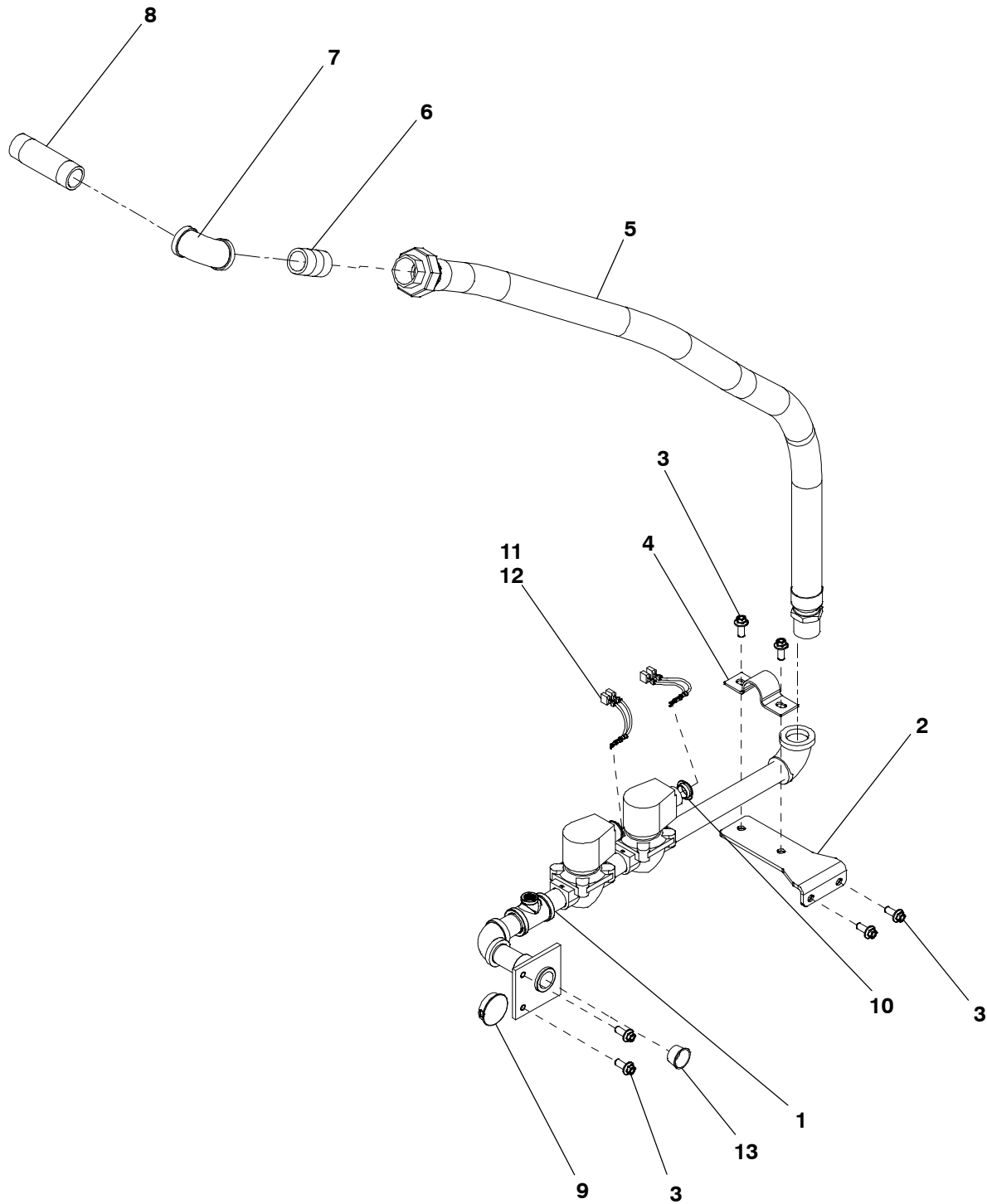
Fuel Supply – Single Fuel – NG or LPV



Fuel Supply – Single Fuel – NG or LPV

Item	Part No.	Description	Qty
1		Module, Fuel System (See Page 92 for Components)	1
2		Hose, Fuel	
	A047K458	C45 N6, C50 N6	1
	0503-2353-05	C60 N6	1
	A047E087	C70, N6, C80 N6, C100 N6	1
3	0503-1138	Clamp	2
4	A050L256	Bracket, Fuel System	1
5	0815-0858-02	Screw, Hex Flange Head	6
6	A050U658	Clamp	1
7	0517-0350	Plug, Hole	1
8	0502-1110	Fitting, Hose Connector	1

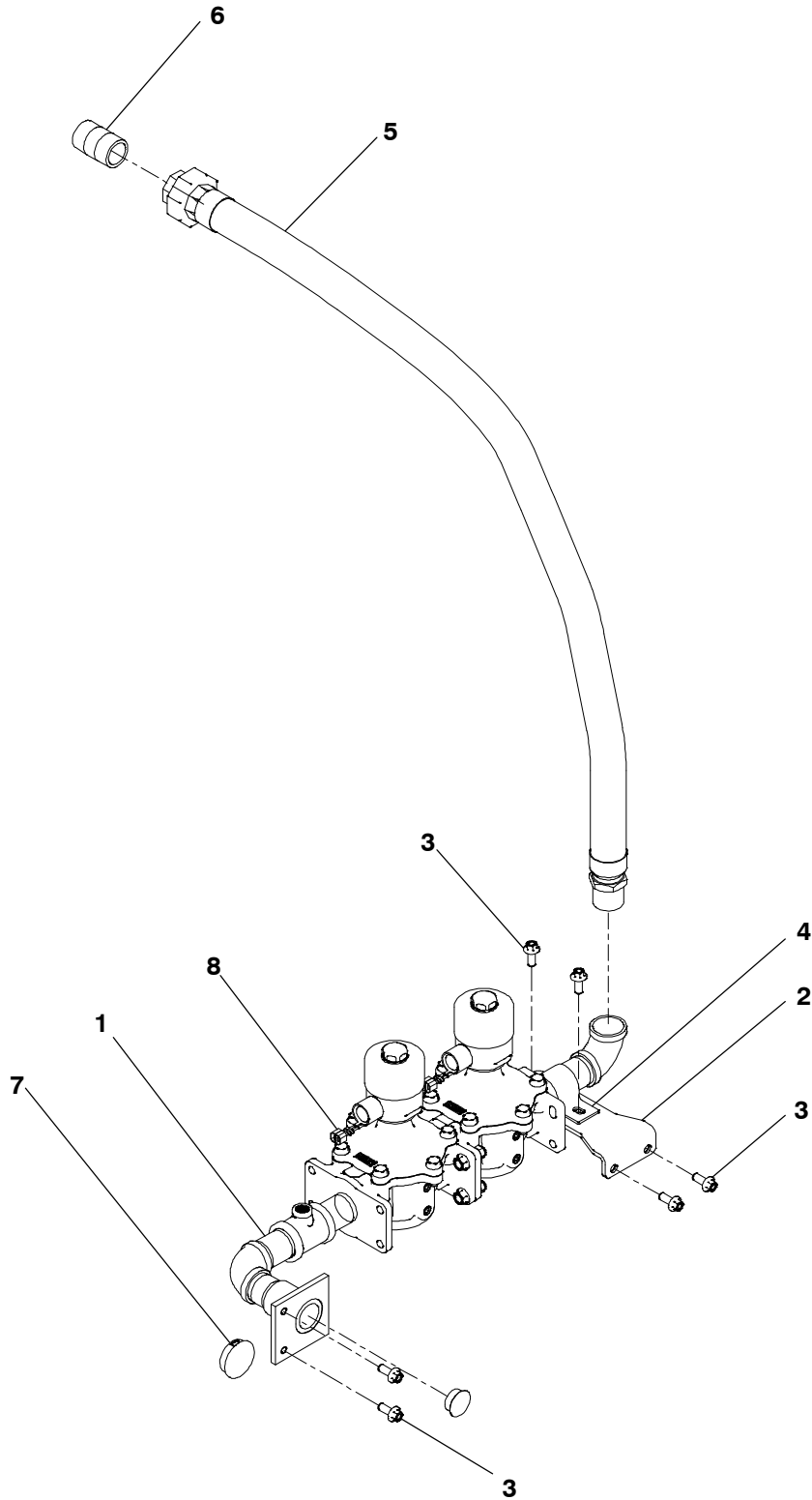
Fuel Supply – Single Fuel – NG or LPV With CSA (C45 N6, C50 N6)



Fuel Supply – Single Fuel – NG or LPV With CSA (C45 N6, C50 N6)

Item	Part No.	Description	Qty
1		Module, Fuel System (See Page 93 for Components)	1
2	A050L256	Bracket, Fuel System	1
3	0815-0858-02	Screw, Hex Flange Head	6
4	A050U655	Clamp	1
5	A048U563	Line, Fuel	1
6	0505-0107	Fitting, Nipple	1
7	0505-0041	Elbow, Pipe	1
8	0505-0331	Fitting, Nipple	1
9	0517-0350	Plug, Hole	1
10	0508-1158	Grommet	2
11	0226-4797-06	Lead	2
12	A050X668	Lead	2
13	0517-0094	Plug, Hole	1

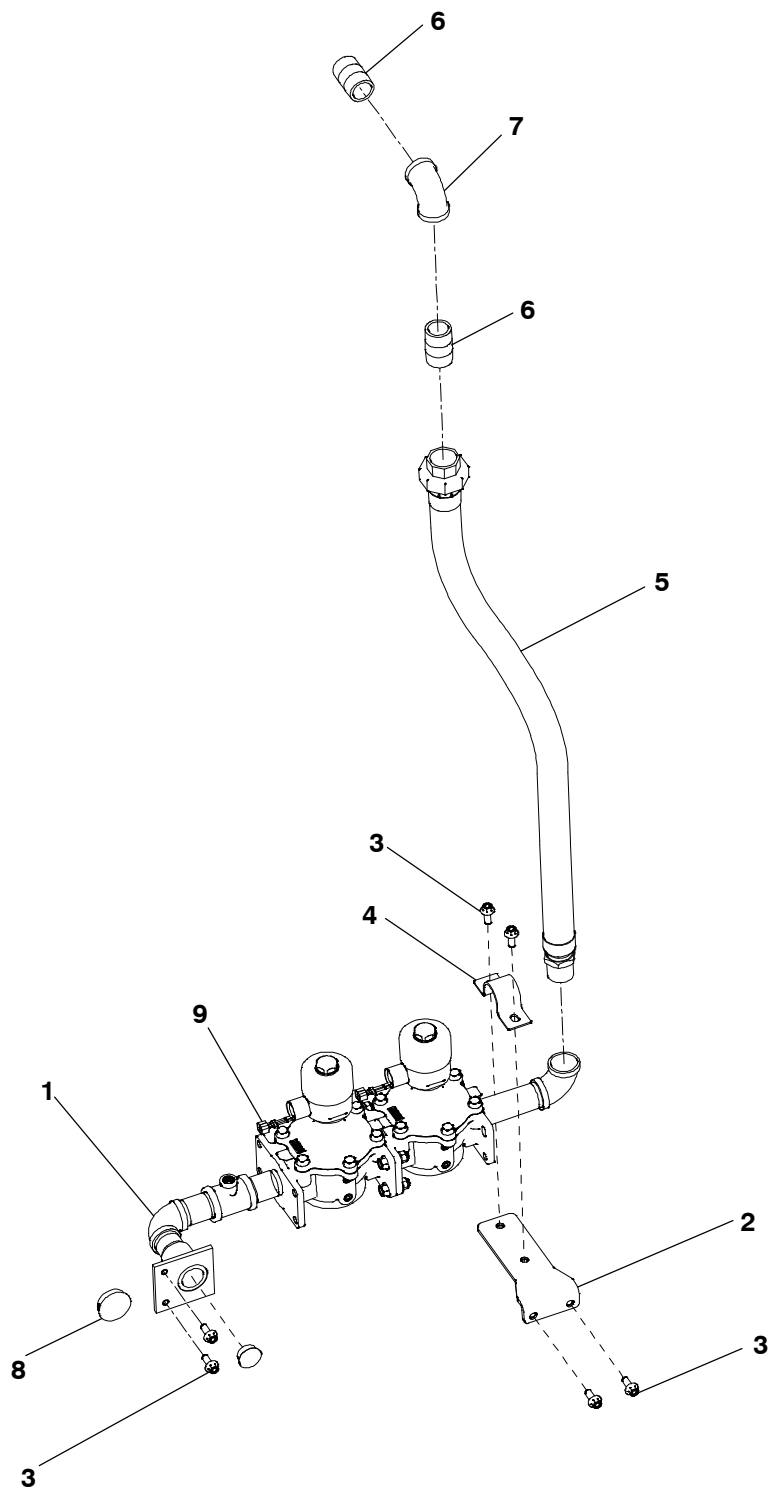
Fuel Supply – Single Fuel – NG or LPV With CSA (C60 N6)



Fuel Supply – Single Fuel – NG or LPV With CSA (C60 N6)

Item	Part No.	Description	Qty
1		Module, Fuel System (See Page 94 for Components)	1
2	A050L256	Bracket, Fuel System	1
3	0815-0858-02	Screw, Hex Flange Head	6
4	A050U658	Clamp	1
5	A048W008	Line, Fuel	1
6	0505-0107	Fitting, Nipple	1
7	0517-0350	Plug, Hole	1
8	0332-2430	Terminal, Receptacle	4

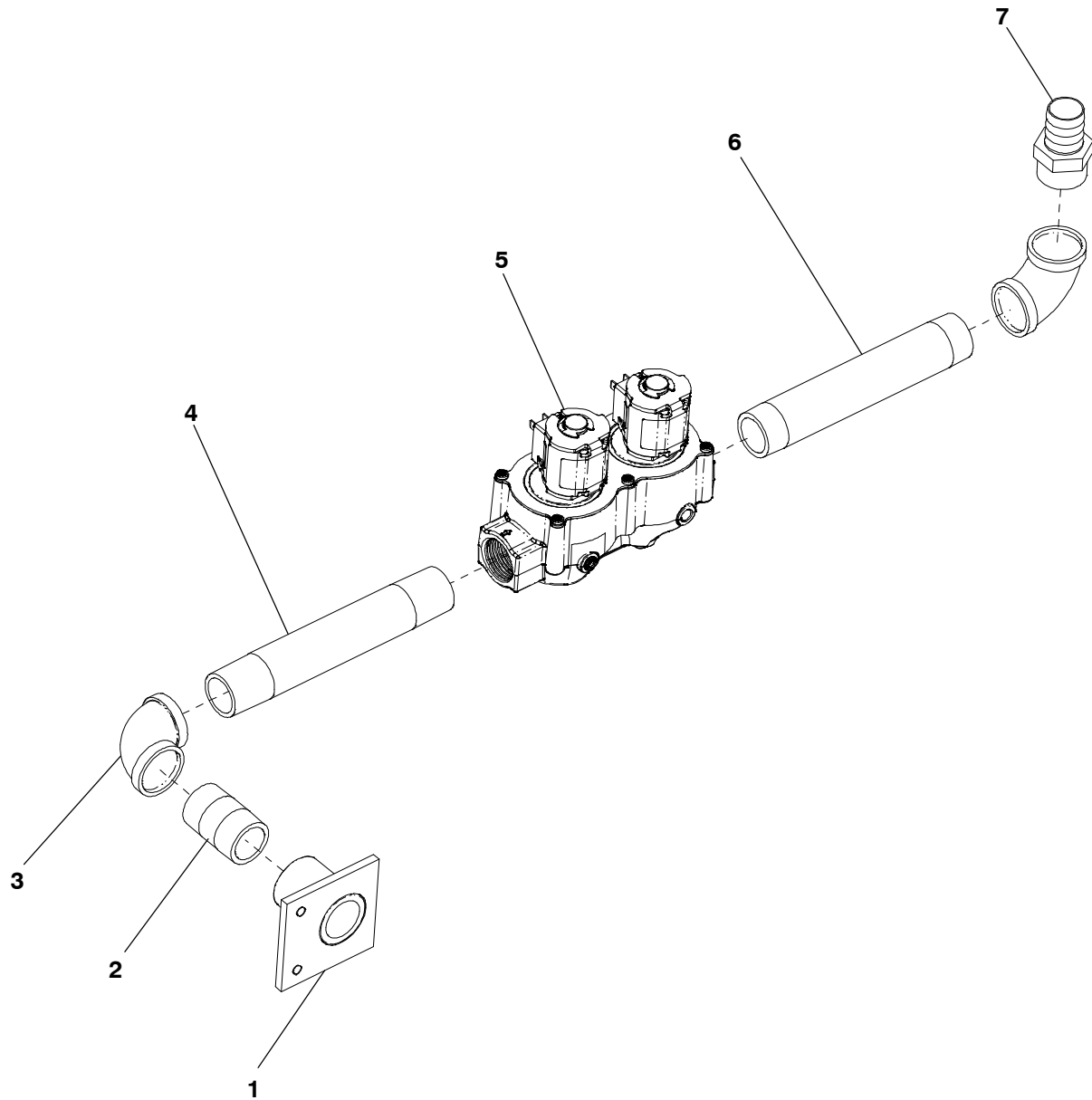
Fuel Supply – Single Fuel – NG or LPV With CSA (C70 N6, C80 N6, C100 N6)



Fuel Supply – Single Fuel – NG or LPV With CSA (C70 N6, C80 N6, C100 N6)

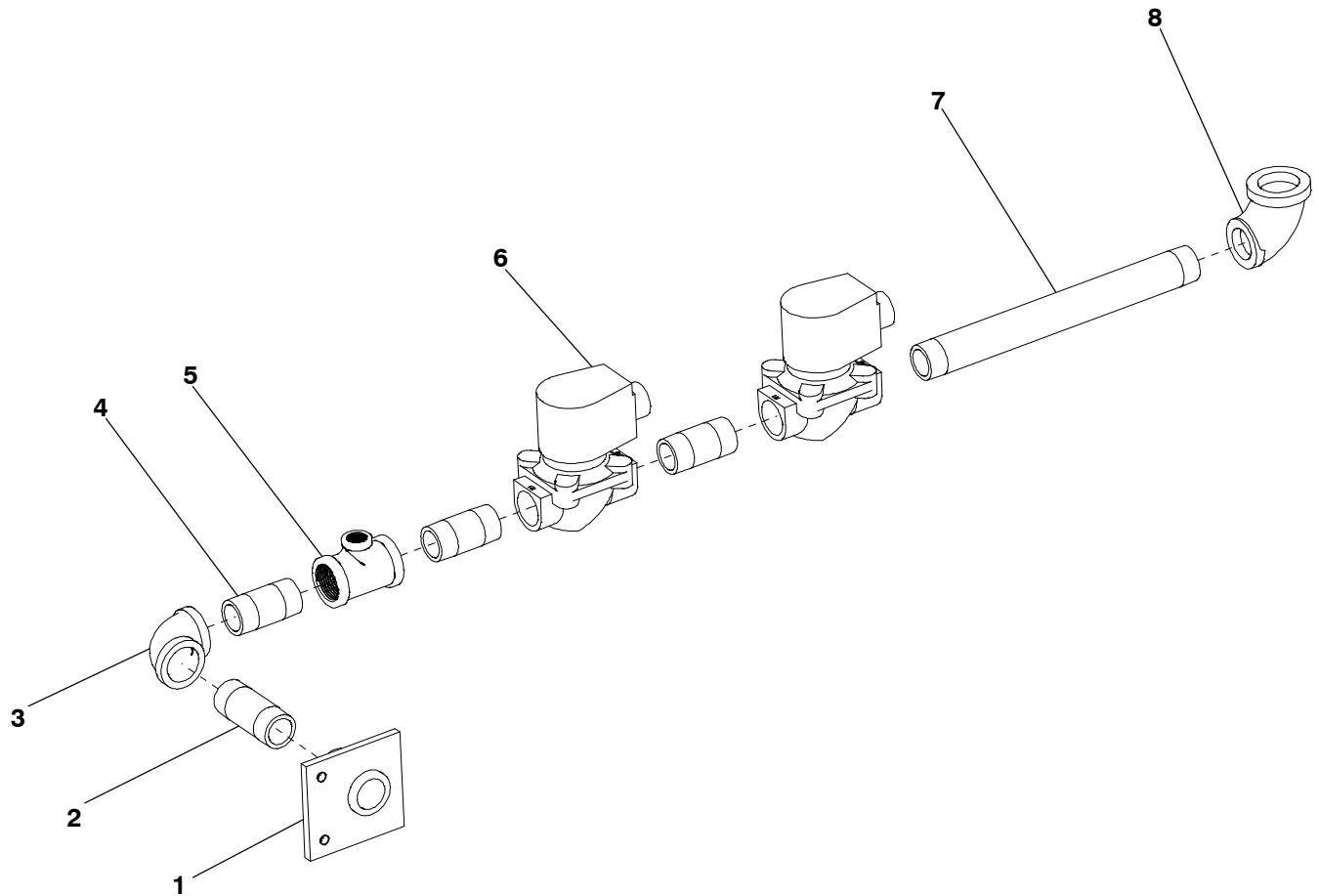
Item	Part No.	Description	Qty
1		Module, Fuel System (See Page 94 for Components)	1
2	A050L256	Bracket, Fuel System	1
3	0815-0858-02	Screw, Hex Flange Head	6
4	A050U658	Clamp	1
5	A048U561	Line, Fuel	1
6	0505-0107	Fitting, Nipple	2
7	0505-0041	Elbow, Pipe	1
8	0517-0350	Plug, Hole	1
9	0332-2430	Terminal, Receptacle	4

Fuel System Module – NG/LPV with Automatic Change Over



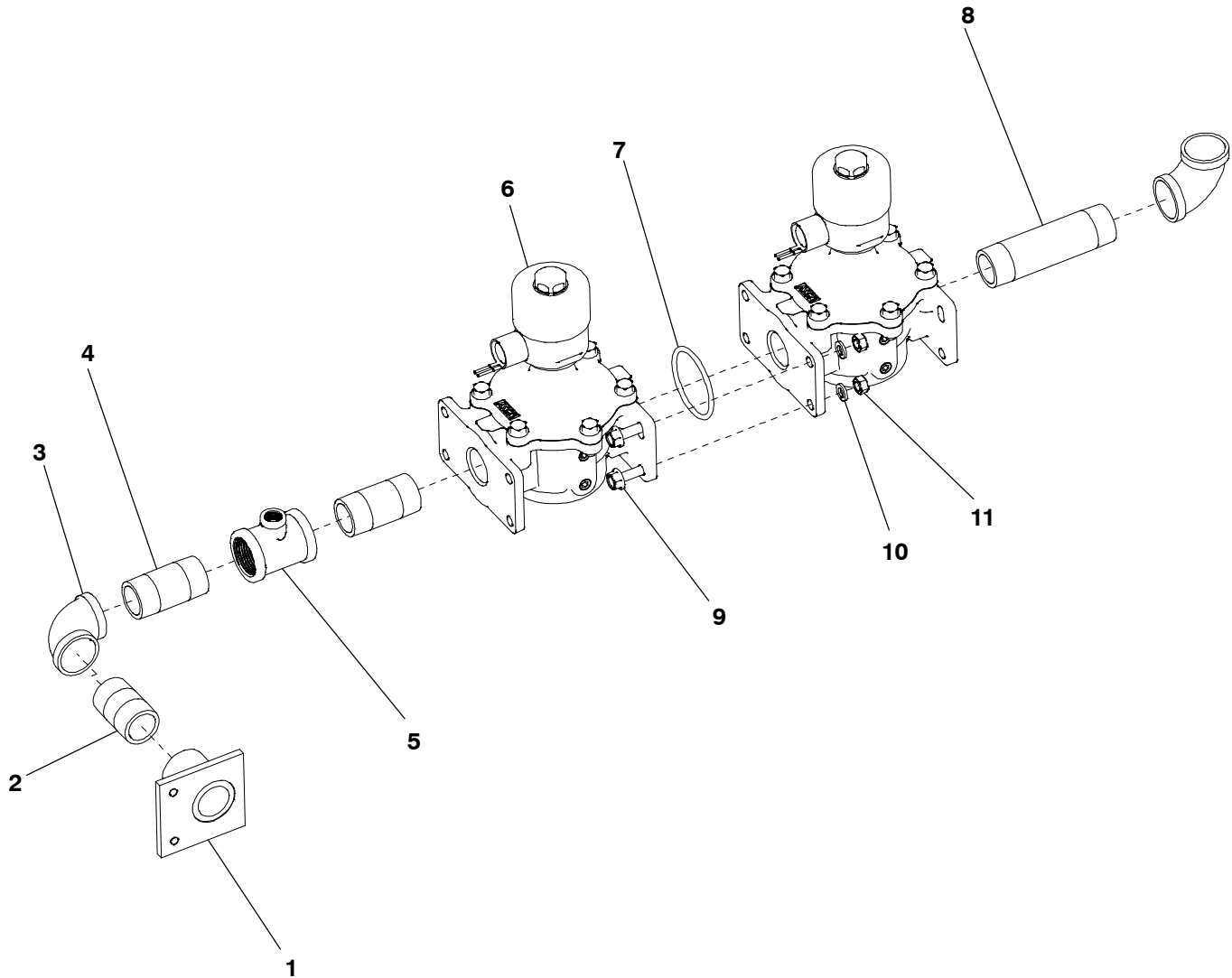
Item	Part No.	Description	Qty
1	A041L590	Support, Fuel System	1
2	0505-0107	Fitting, Nipple	1
3	0505-0041	Elbow, Pipe	2
4	0505-1524	Fitting, Nipple	1
5	A043V085	Valve, Shutoff	1
6	0505-0091	Fitting, Nipple	1
7	0502-1110	Fitting, Hose Connector	1

Fuel System Module – Single Fuel – NG or LPV With CSA (C45 N6, C50 N6)



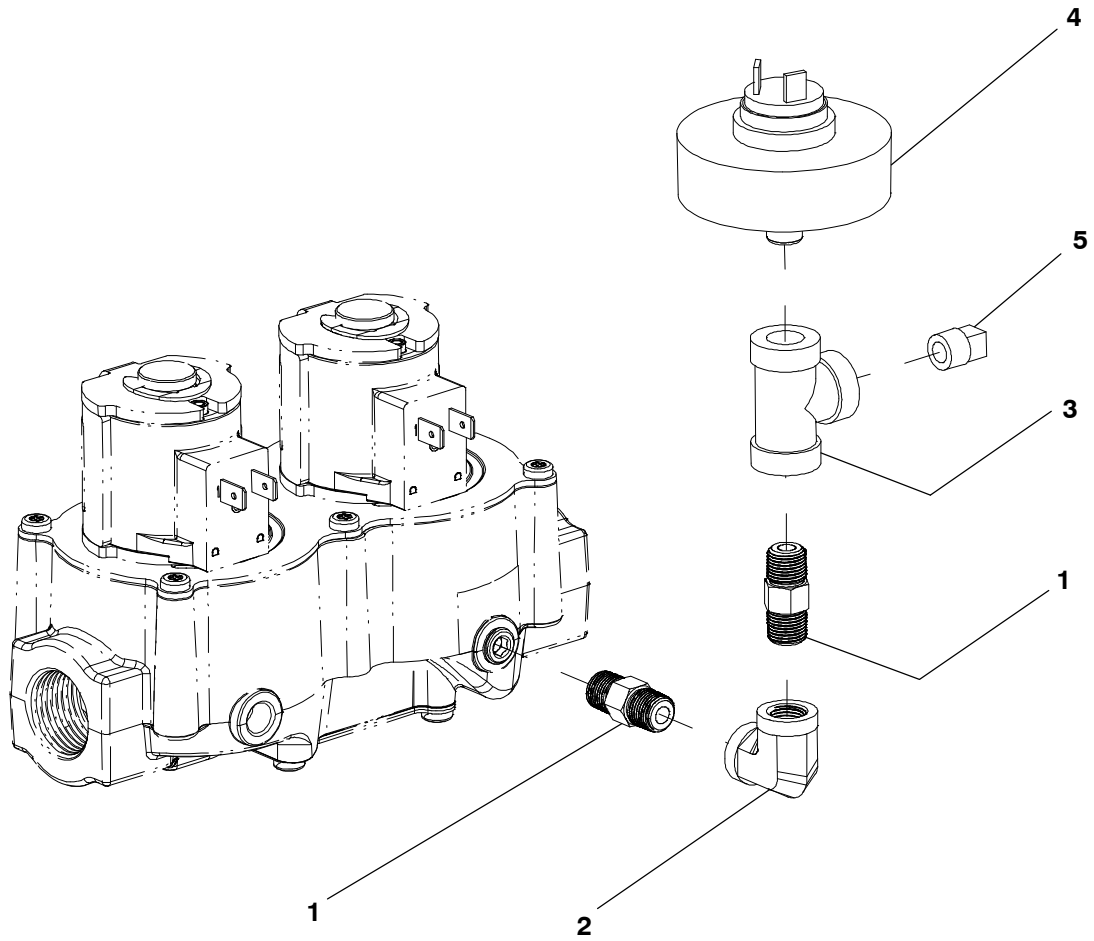
Item	Part No.	Description	Qty
1	A041S333	Support, Fuel System	1
2	0505-0084	Fitting, Nipple	1
3	0505-0132	Elbow, Pipe	1
4	0505-0085	Fitting, Nipple	3
5	A046X276	Tee, Pipe	1
6	0307-2930	Valve, Solenoid	2
7	0505-0268	Fitting, Nipple	1
8	0505-0356	Elbow, Reducer	1

Fuel System Module – Single Fuel – NG or LPV With CSA (C60 N6, C70 N6, C80 N6, C100 N6)



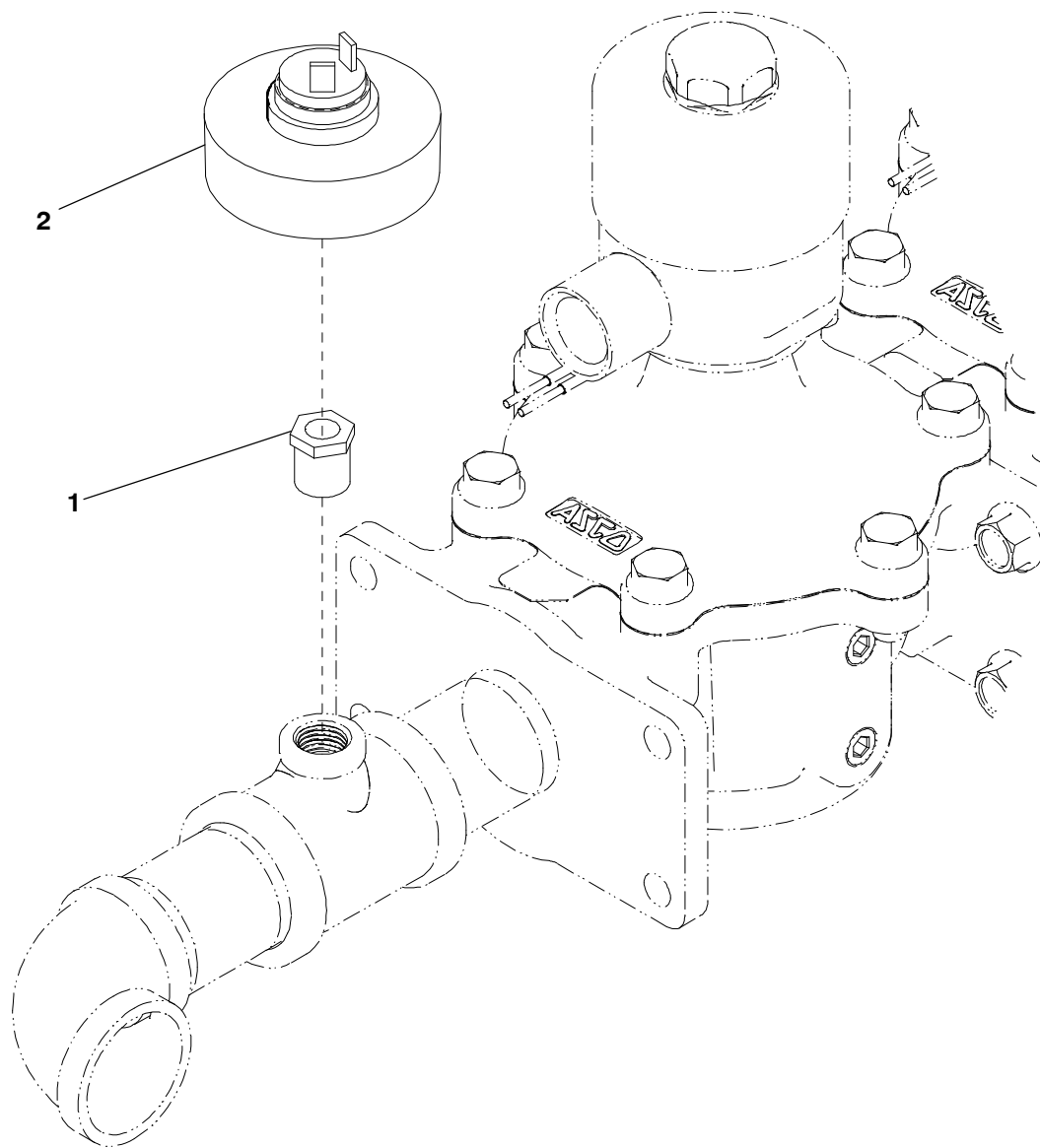
Item	Part No.	Description	Qty
1	A041L590	Support, Fuel System	1
2	0505-0107	Fitting, Nipple	1
3	0505-0041	Elbow, Pipe	2
4	0505-0086	Fitting, Nipple	2
5	A046X270	Tee, Pipe	1
6	0307-2884	Valve, Solenoid	2
7	A046G620	Seal, O Ring	1
8	0505-0088	Fitting, Nipple	1
9	0815-0954-04	Screw, Flange Head	4
10	0850-0114-54	Washer, Lock	4
11	0860-2008	Nut	4

Low Pressure Switch



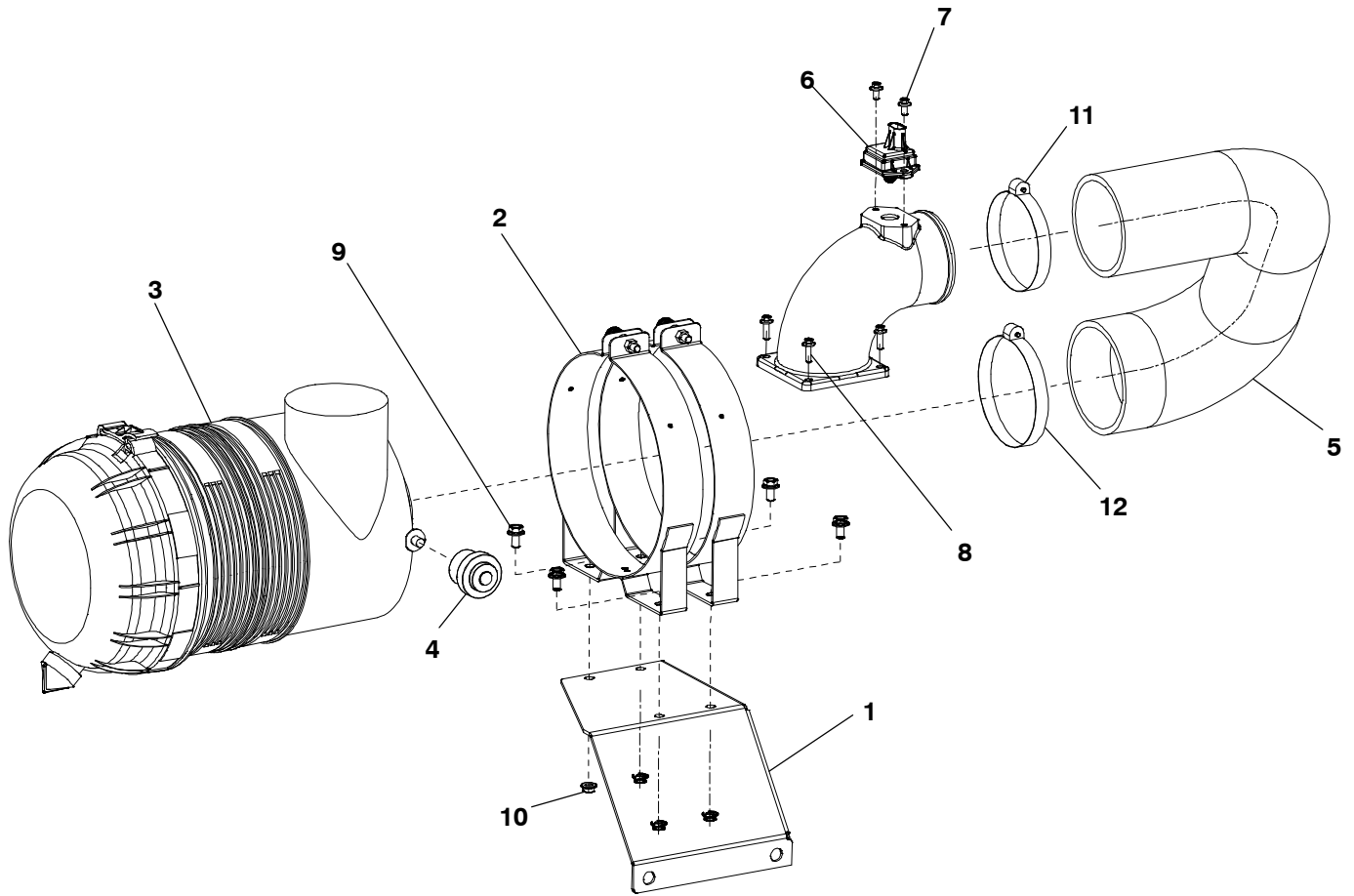
Item	Part No.	Description	Qty
1	A047K791	Fitting, Nipple	2
2	A047K793	Elbow	1
3	0505-0059	Tee, Pipe Tee	1
4	A045B239	Switch, Pressure	1
5	0505-0057	Plug, Square Head	1

Low Pressure Switch (With CSA)



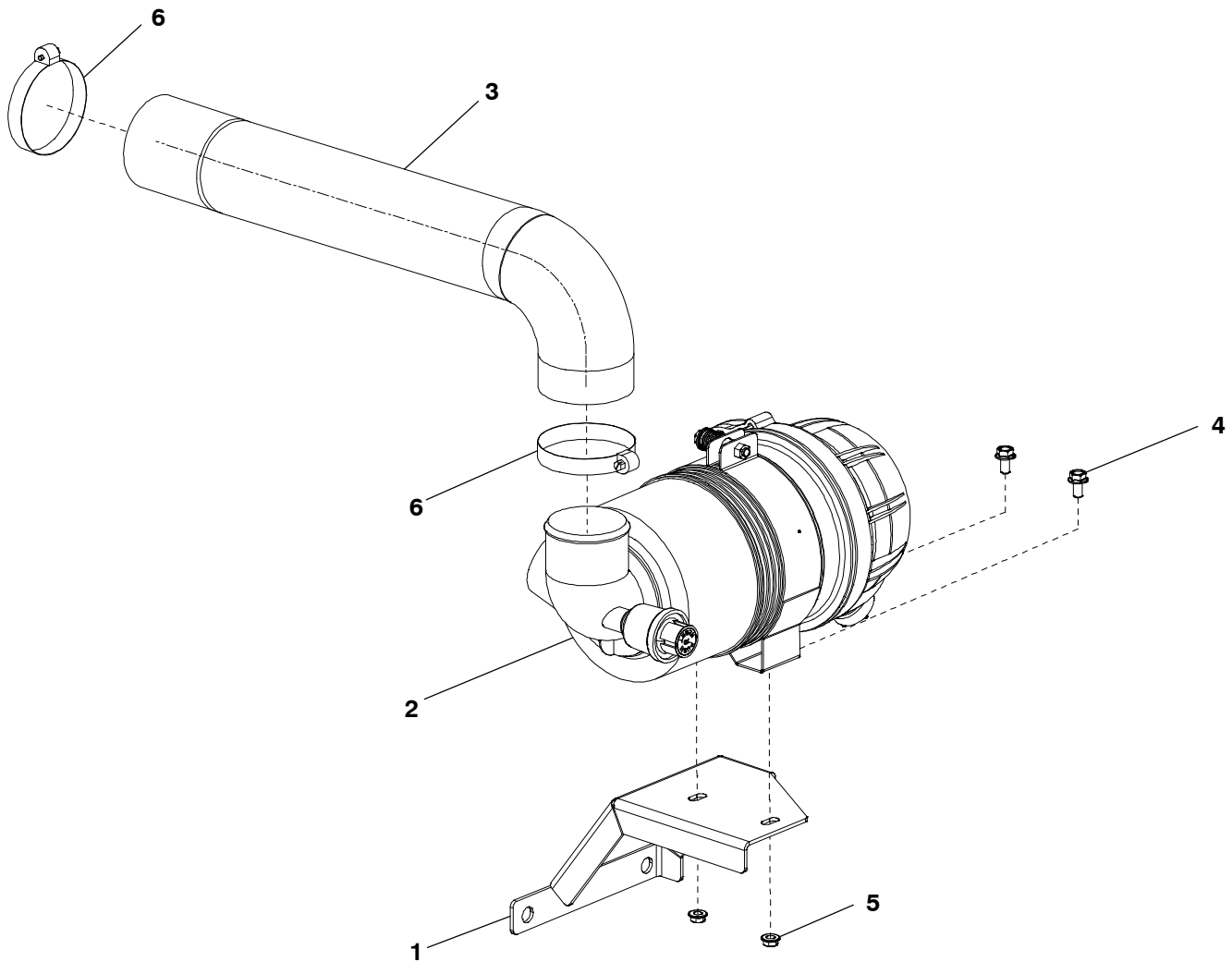
Item	Part No.	Description	Qty
1	0505-0007	Bushing, Reducer	1
2	A045B239	Switch, Pressure	1

Air Cleaner
HD (C70 N6, C80 N6, C100 N6)



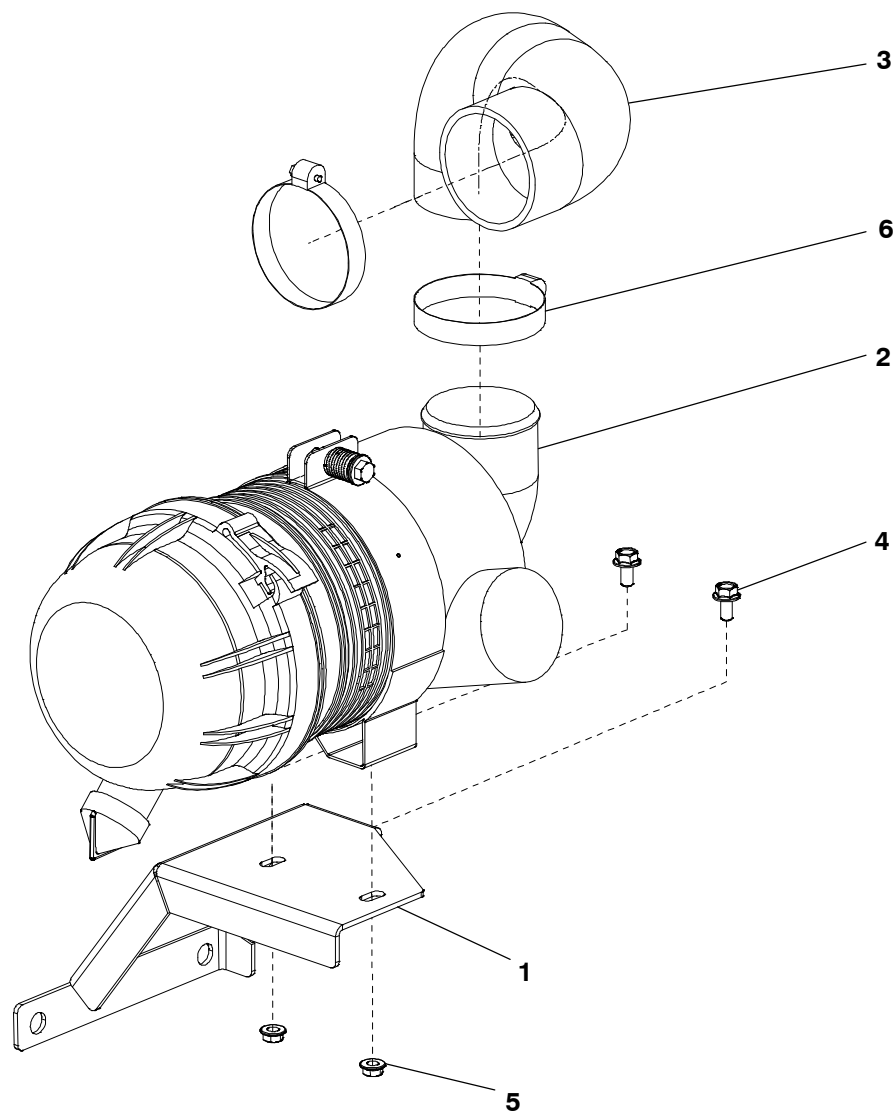
Item	Part No.	Description	Qty
1	A047M571	Support, Air Filter	1
2	A047K707	Bracket, Air Filter	2
3	A047K704	Filter, Air	1
	A051M145	Filter, Air – Replacement	1
	AF04175	Filter, Air – Primary	1
4	A050T121	Indicator, Restriction	1
5	A047K929	Hose, Intake	1
6	A046A655	Sensor, Humidity	1
7	0815-0857-01	Screw, Hex Head	2
8	0815-0857-03	Screw, Hex Head	4
9	0800-6524-01	Screw, Hex Flange Head	4
10	0870-2055	Nut, Flange Lock	4
11	0503-1870-07	Clamp	1
12	0503-1870-08	Clamp	1

Air Cleaner – HD (C45 N6, C50 N6)



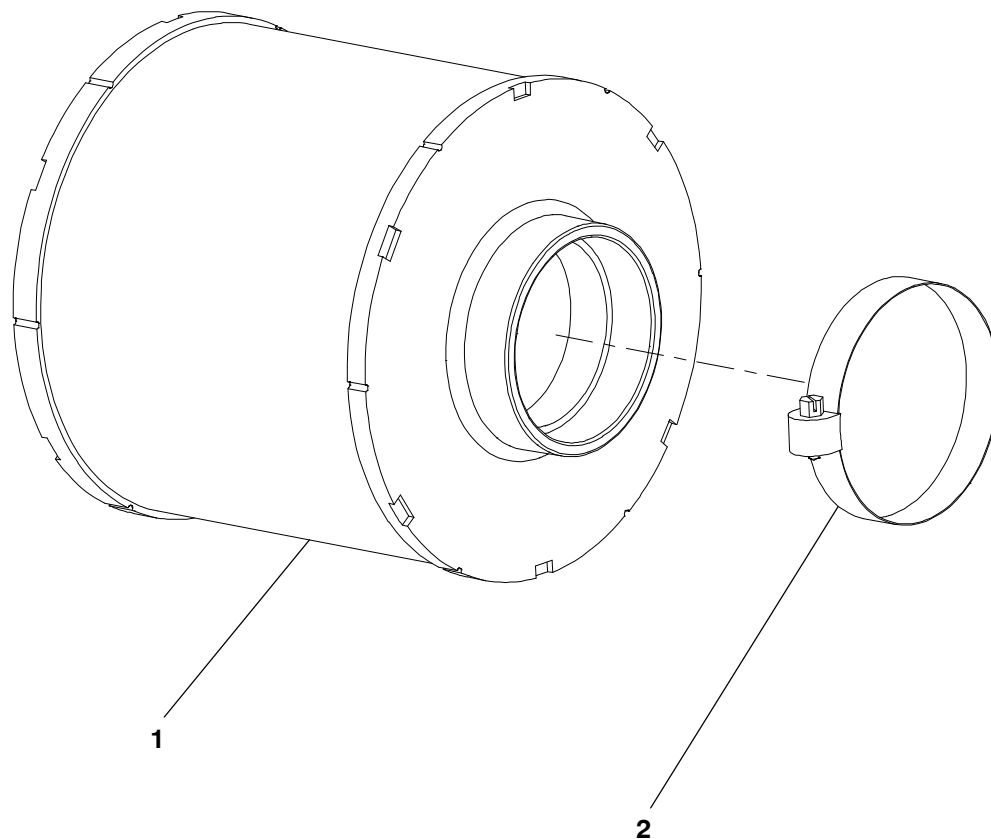
Item	Part No.	Description	Qty
1	A047M926	Support, Air Filter	1
2	A047M818	Filter, Air	1
	A044V681	Filter, Air – Replacement	1
	AF26223	Filter, Air – Primary	1
3	A049R898	Hose, Intake	1
4	0800-6524-01	Screw, Hex Flange Head	2
5	0870-2055	Nut, Flange Lock	2
6	0503-1870-05	Clamp	2

Air Cleaner – HD (C60 N6)



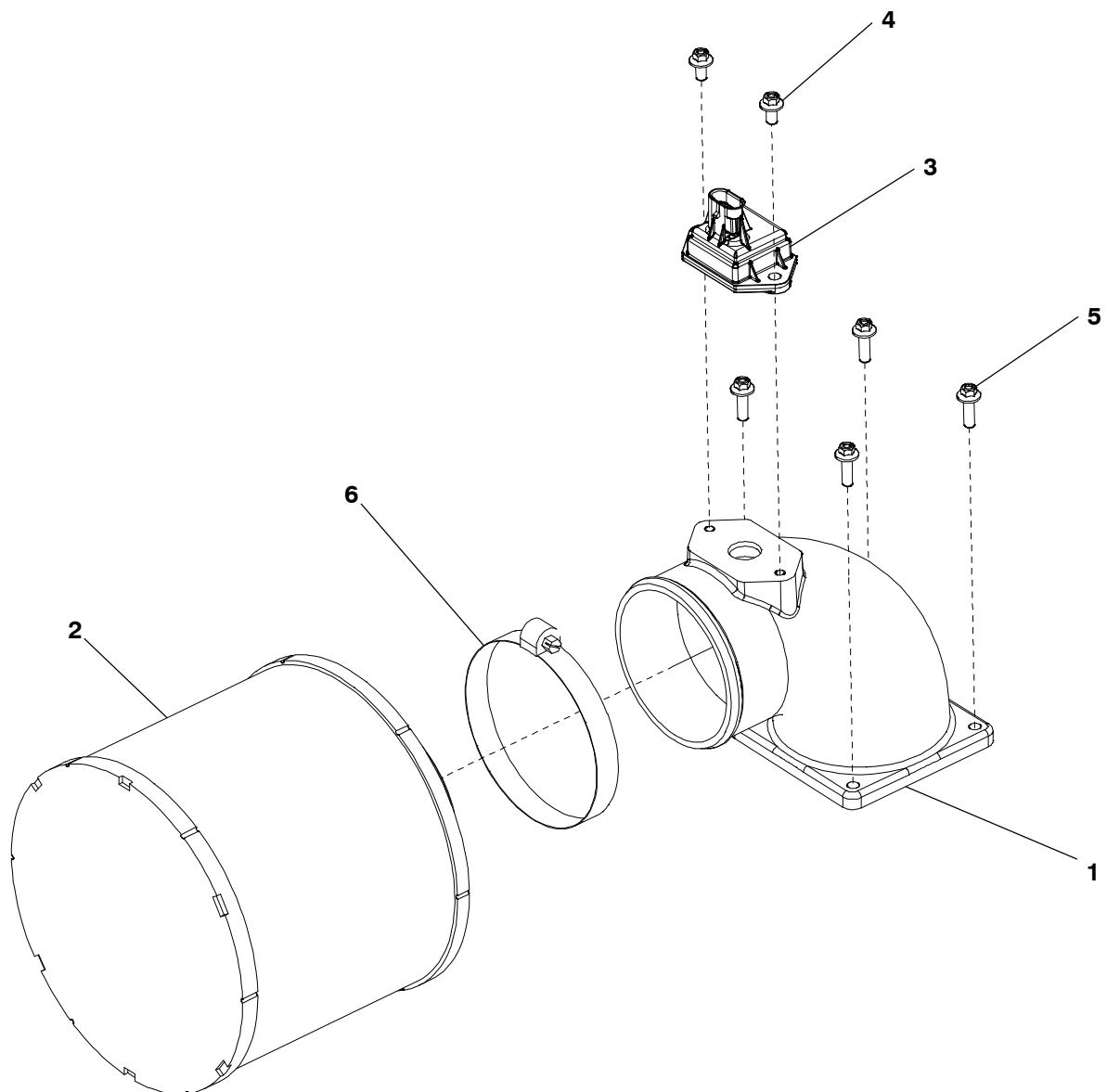
Item	Part No.	Description	Qty
1	A047M926	Support, Air Filter	1
2	A047M818	Filter, Air	1
	A044V681	Filter, Air – Replacement	1
	AF26223	Filter, Air – Primary	1
3	A047K942	Hose, Intake	1
4	0800–6524–01	Screw, Hex Flange Head	2
5	0870–2055	Nut, Flange Lock	2
6	0503–1870–05	Clamp	2

Air Cleaner – ND (C45 N6, C50 N6, C60 N6)



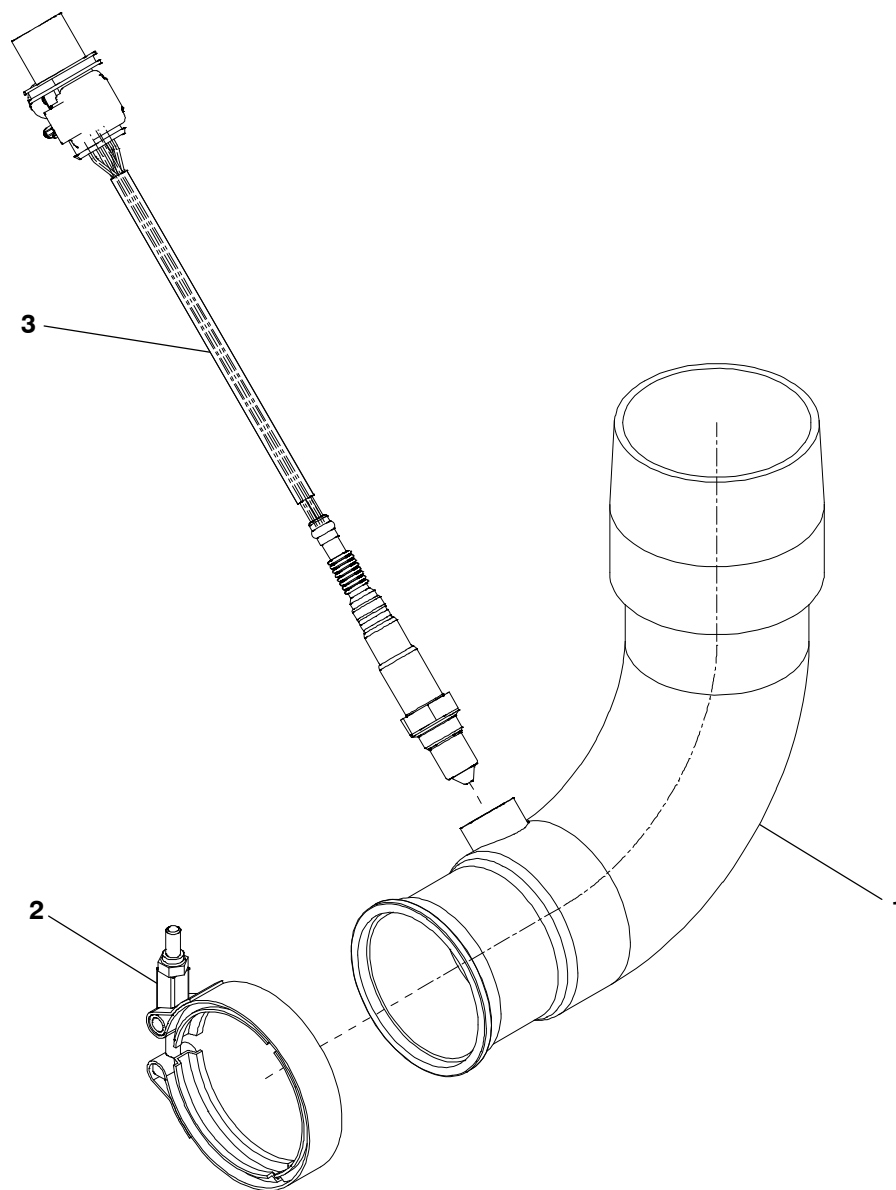
Item	Part No.	Description	Qty
1	A042Y252	Filter, Air	1
2	0503-1870-05	Clamp	1

Air Cleaner – ND (C70 N6, C80 N6, C100 N6)



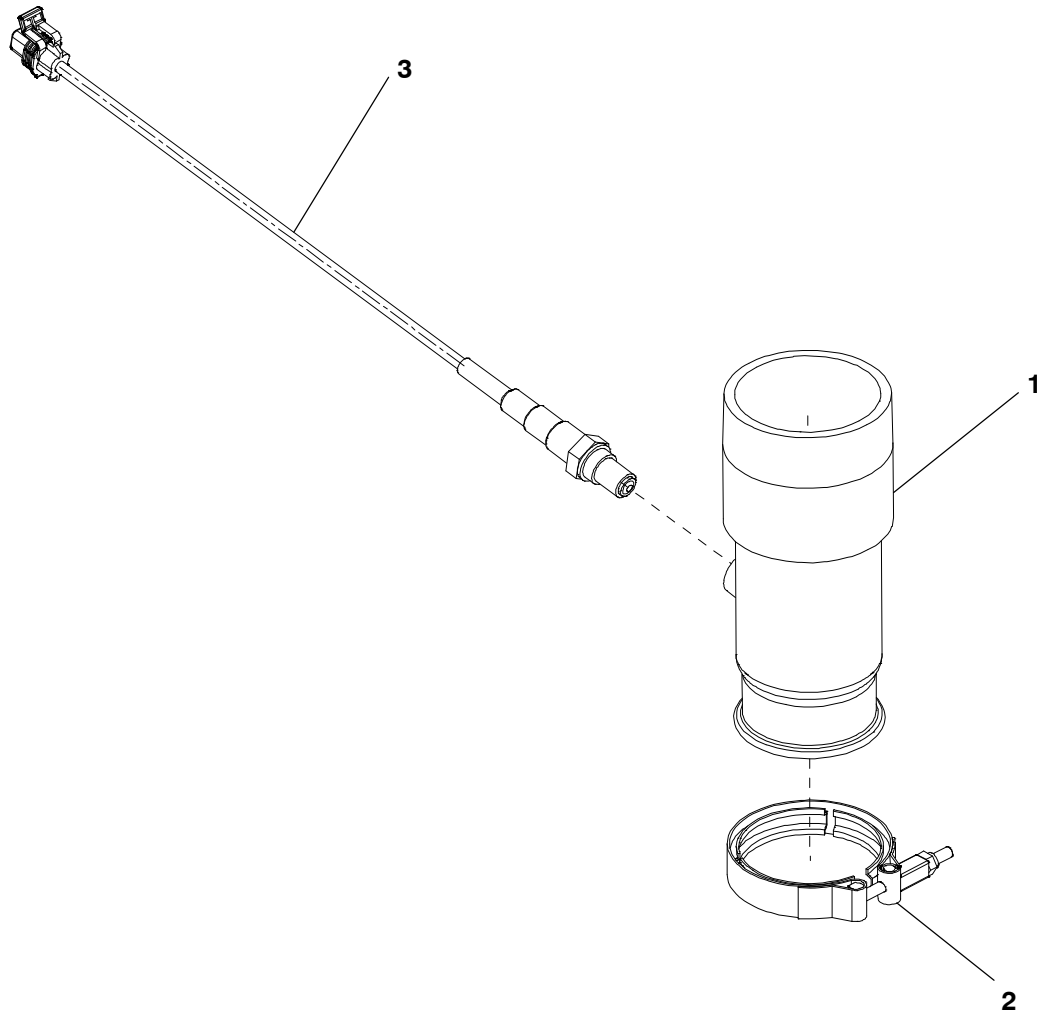
Item	Part No.	Description	Qty
1	A052D747	Adapter, Intake	1
2	A047M180	Filter, Air	1
3	A046A655	Sensor, Humidity	1
4	0815-0857-01	Screw, Hex Head	2
5	0815-0857-03	Screw, Hex Head	4
6	0503-1870-08	Clamp	1

Exhaust Connection (C70 N6, C80 N6, C100 N6)



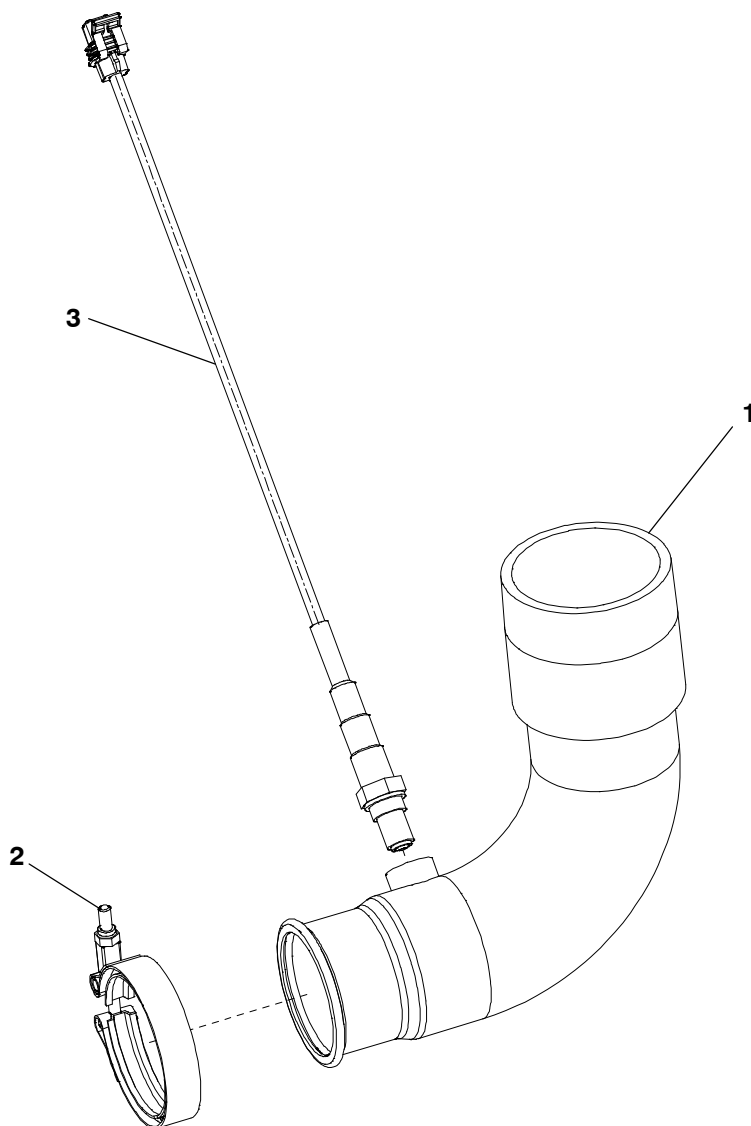
Item	Part No.	Description	Qty
1	A047U587	Pipe, Exhaust	1
2	0155-2565	Clamp, Vee Band	1
3	A047W528	Sensor, Oxygen	1

Exhaust Connection (C45 N6, C50 N6)



Item	Part No.	Description	Qty
1	A048C054	Pipe, Exhaust	1
2	0155-2565	Clamp, Vee Band	1
3	A043W344	Sensor, Oxygen	1

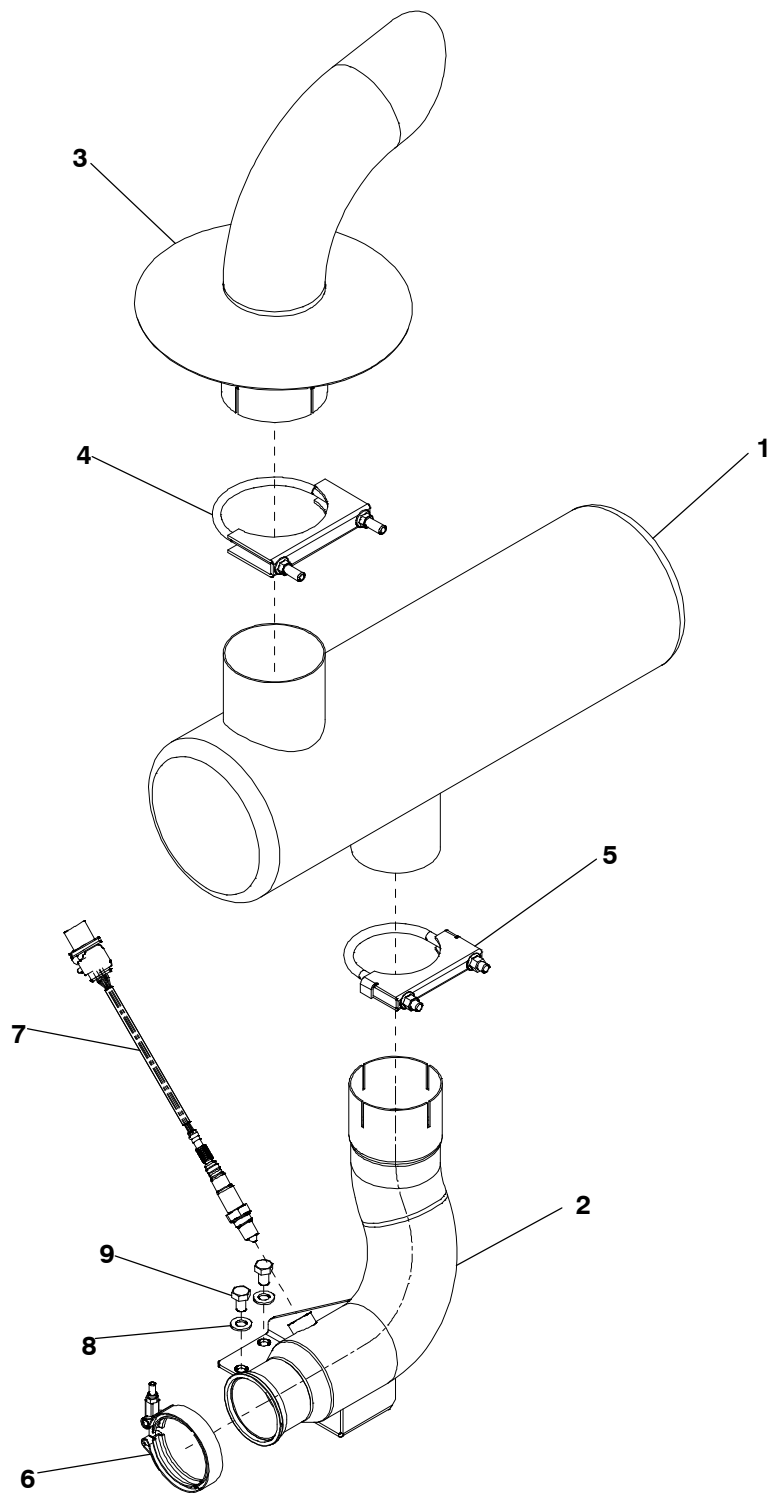
Exhaust Connection (C60 N6)



Item	Part No.	Description	Qty
1	A047U587	Pipe, Exhaust	1
2	0155-2565	Clamp, Vee Band	1
3	A043W344	Sensor, Oxygen	1

This page is Intentionally blank.

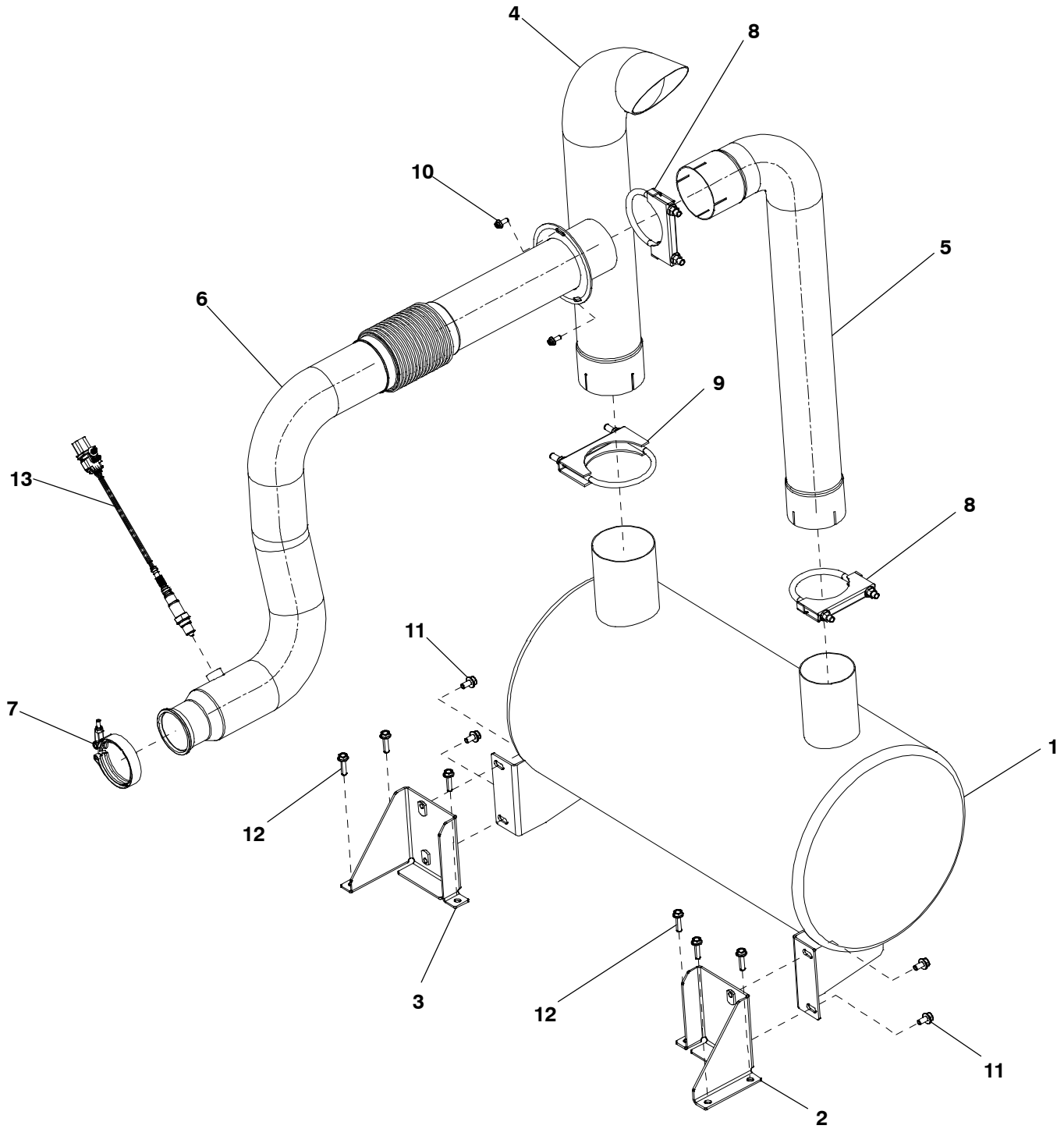
Silencer – F216 Enclosure



Silencer – F216 Enclosure

Item	Part No.	Description	Qty
1	A048F931	Silencer	1
2		Pipe, Exhaust	
	A048F933	C70 N6, C80 N6, C100 N6	1
	A048F936	C60 N6	1
	A048F958	C45 N6, C50 N6	1
3	A047U542	Pipe, Exhaust	1
4	0155-2305	Clamp	1
5	A047W504	Clamp, Exhaust	1
6	0155-2565	Clamp, Vee Band	1
7		Sensor, Oxygen	
	A047W528	C70 N6, C80 N6, C100 N6	1
	A043W344	C45 N6, C50 N6, C60 N6	1
8	0526-0399-62	Washer, Flat	2
9	0800-3017-35	Screw, Hex Head	2

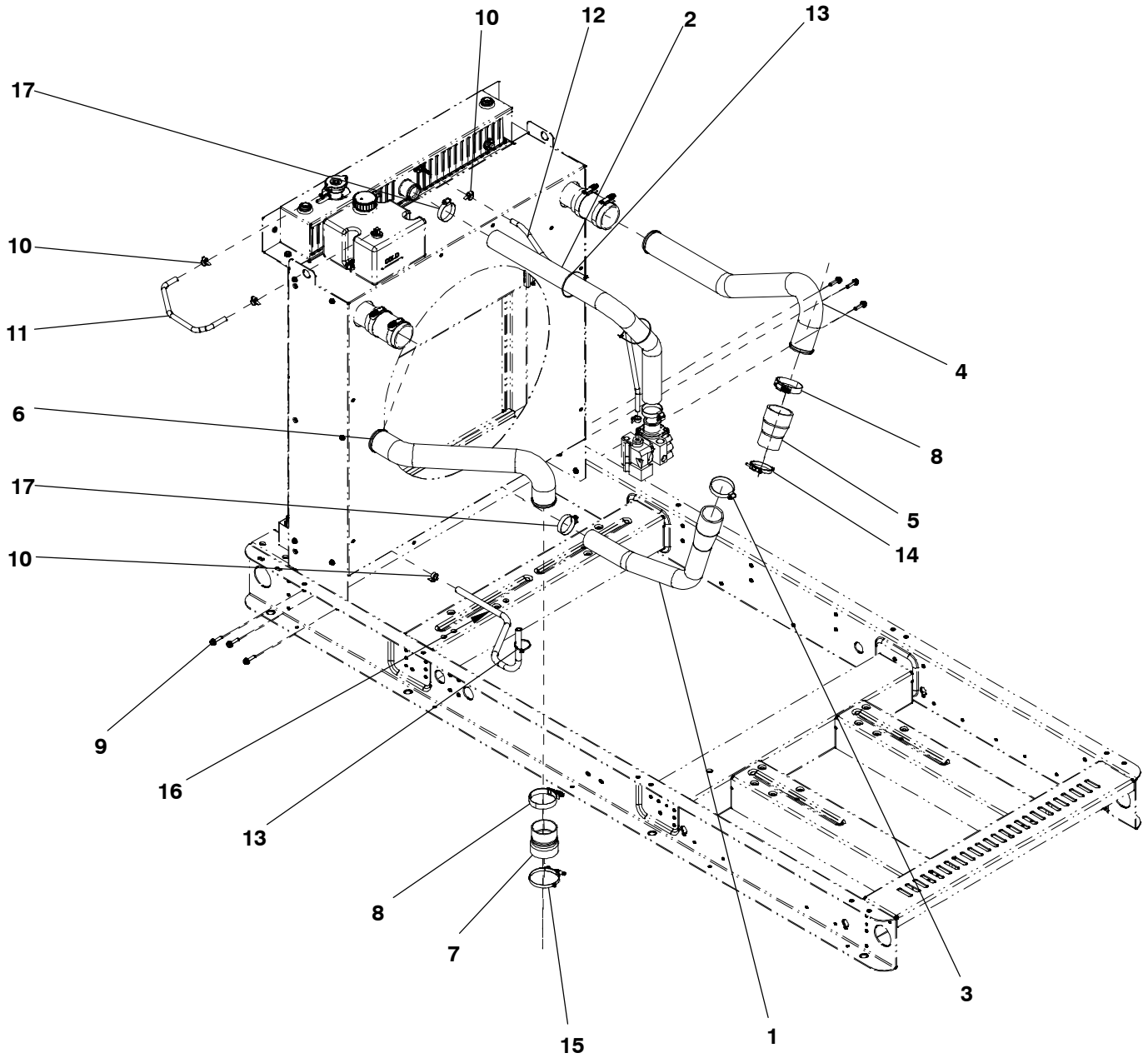
Silencer – F217, F231 Enclosure



Silencer – F217, F231 Enclosure

Item	Part No.	Description	Qty
1	A050B660	Silencer	1
2	A049Z459	Bracket, Silencer	1
3	A049Z457	Bracket, Silencer	1
4	A046D850	Pipe, Exhaust	1
5	A046D848	Pipe, Exhaust	1
6		Pipe, Exhaust	
	A046D846	C70 N6, C80 N6, C100 N6	1
	A047S649	C60 N6	1
	A048A814	C45N6, C50 N6	1
7	0155–2565	Clamp, Vee Band	1
8	A047W504	Clamp, Exhaust	2
9	0155–2305	Clamp	1
10	0815–0857–02	Screw, Hex Head	2
11	0800–6524–01	Screw, Hex Flange Head	4
12	0815–0781	Screw, Hollow Head	6
13		Sensor, Oxygen	
	A047W528	C70 N6, C80 N6, C100 N6	1
	A043W344	C45N6, C50 N6, C60 N6	1

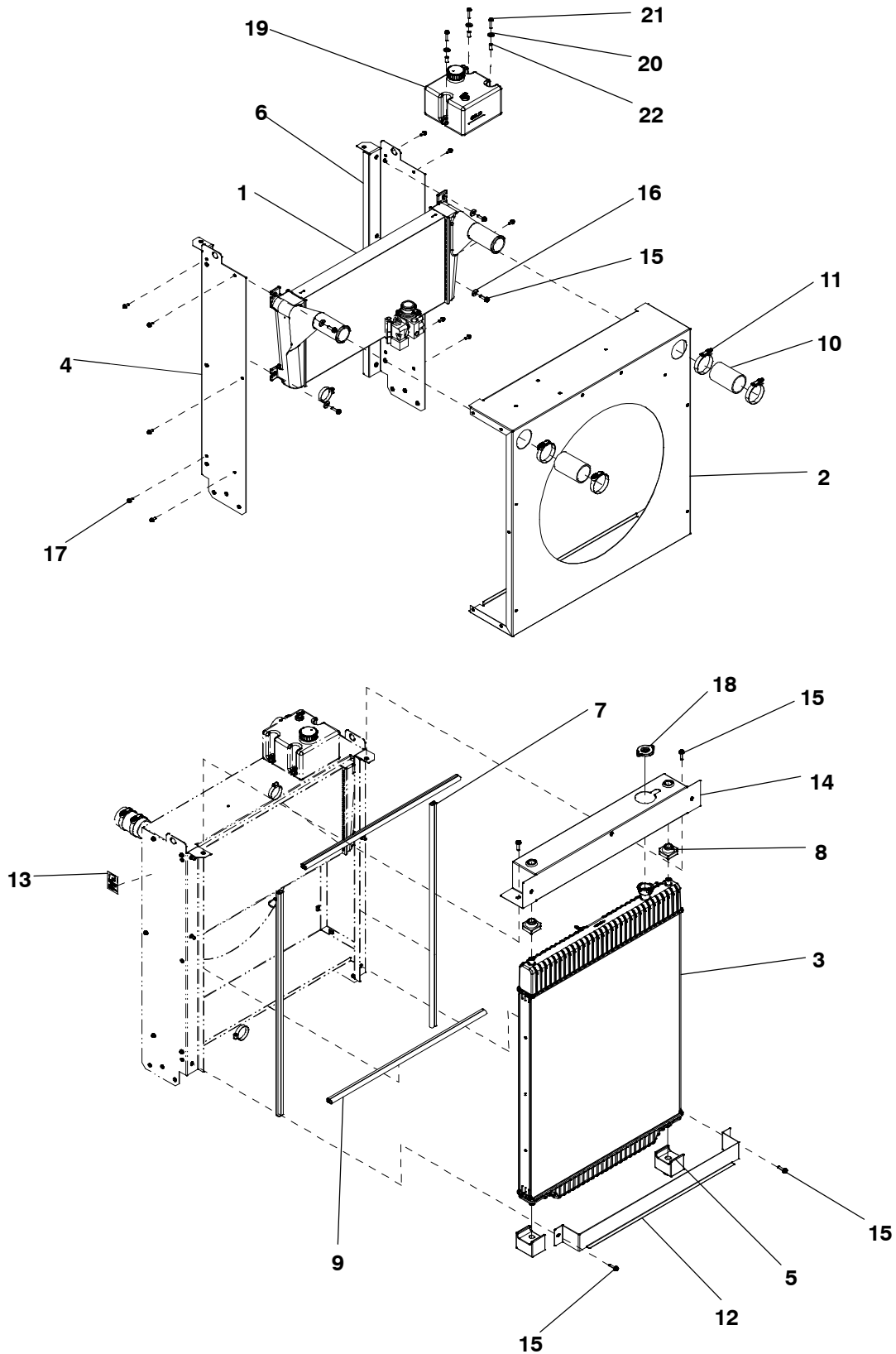
Cooling System (C60 N6, C70 N6, C80 N6, C100 N6) (Illustration #1)



Cooling System (C60 N6, C70 N6, C80 N6, C100 N6) (Illustration #1)

Item	Part No.	Description	Qty
1	A045S281	Hose, Coolant	1
2	A045S287	Hose, Coolant	1
3	0503-1142	Clamp	1
4	A045S636	Tube, Air Inlet	1
5	A044B920	Hose, Air	1
6	A045S684	Tube, Air Inlet	1
7	0502-1509	Connector, Tube	1
8	0503-1872-04	Clamp, Hose	6
9	0815-0781	Screw, Hollow Head	14
10	0503-0685	Clamp	5
11	A048V152	Hose	1
12	A048W998	Tube	1
13	0332-1794	Tie, Cable	3
14	A050T434	Clamp	1
15	A050Y703	Clamp	1
16	0503-1274	Hose	1
17	0503-1140	Clamp	3

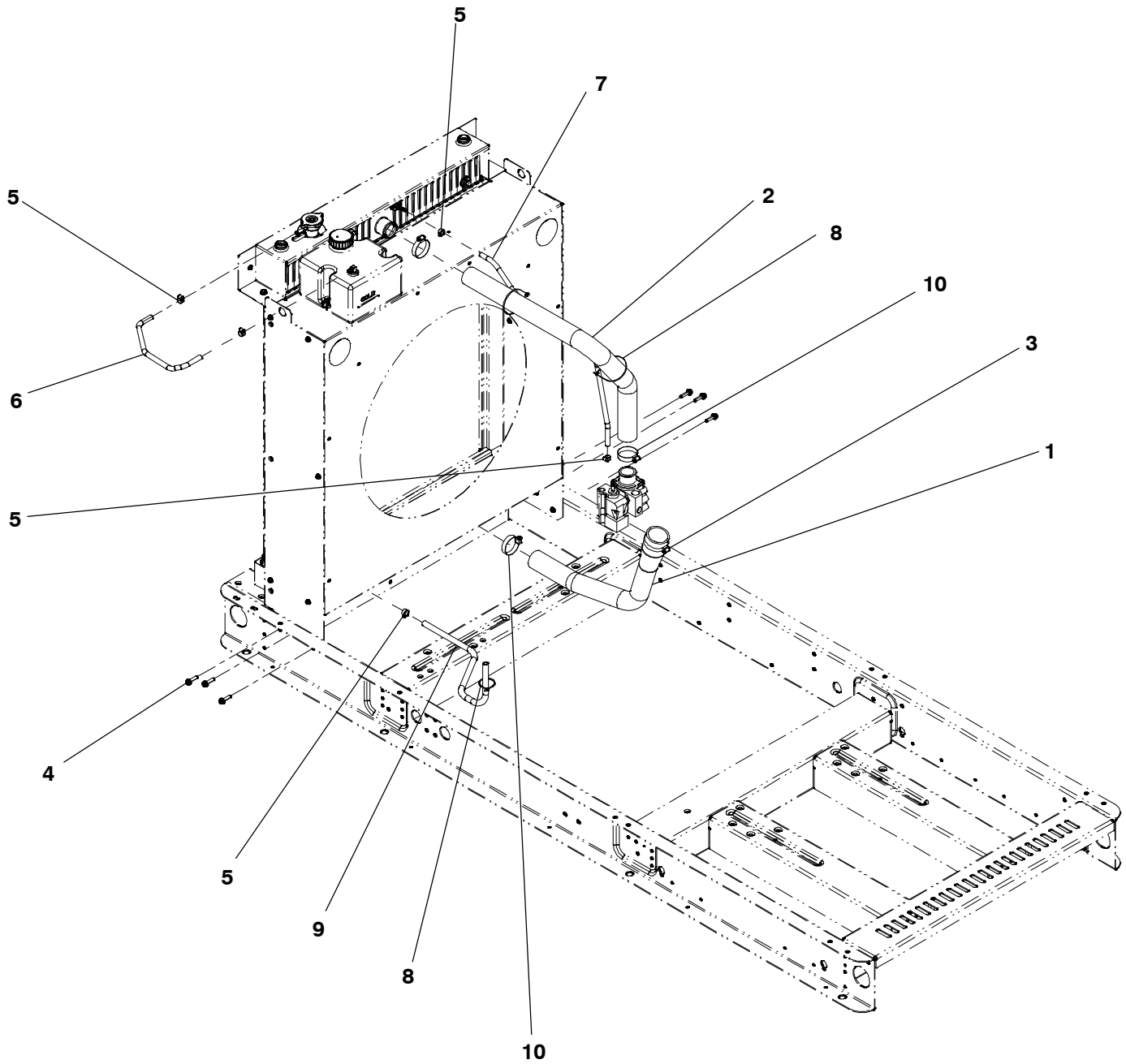
Cooling System (C60 N6, C70 N6, C80 N6, C100 N6) (Illustration #2)



Cooling System (C60 N6, C70 N6, C80 N6, C100 N6) (Illustration #2)

Item	Part No.	Description	Qty
1	A048J249	Cooler, Charge Air	1
2	A050E989	Shroud, Radiator	1
3	A048U087	Radiator	1
4	A048F734	Support, Post	1
5	A048F744	Bushing	2
6	A048F738	Support, Post	1
7	A048V153	Seal, Edge	2
8	0508-1197	Bushing	2
9	A048V154	Seal, Edge	2
10	A050N782	Hose, Air	2
11	0503-1872-04	Clamp, Hose	6
12	A048G835	Bracket, Radiator	1
13	A048G949	Label, Caution	1
14	A048N088	Bracket, Radiator	1
15	0815-0781	Screw, Hollow Head	14
16	0526-0399-61	Washer, Flat	4
17	0815-0857-02	Screw, Hex Head	10
18	0130-3721-01	Cap, Pressure	1
19	A050P514	Tank, Coolant	1
20	0526-2106	Washer, Flat	3
21	0815-0857-06	Screw, Hex Head	3
22	A051B859	Spacer	3

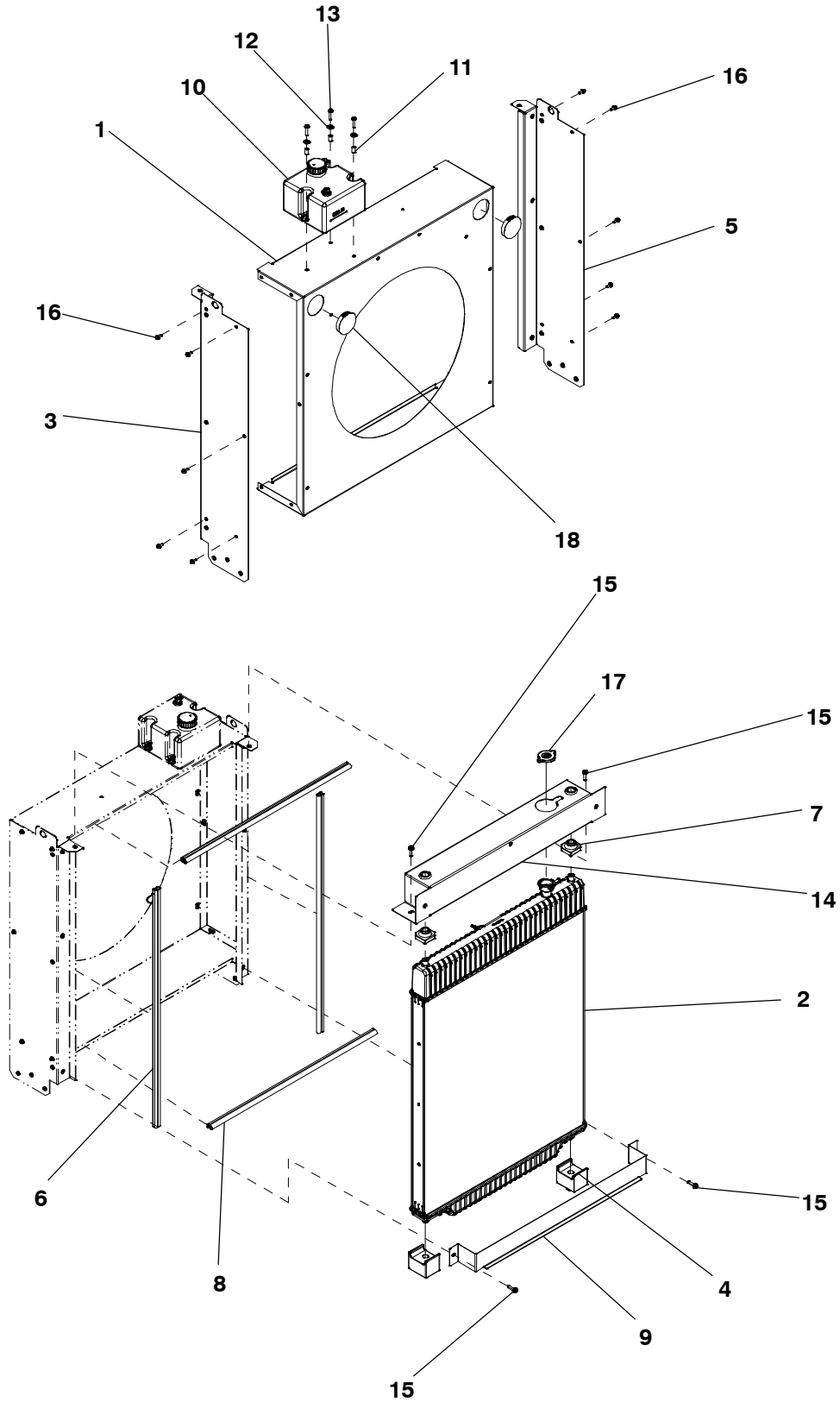
Cooling System (C45 N6, C50 N6) (Illustration #1)



Cooling System (C45 N6, C50 N6) (Illustration #1)

Item	Part No.	Description	Qty
1	A045S281	Hose, Coolant	1
2	A045S287	Hose, Coolant	1
3	0503-1142	Clamp	1
4	0815-0781	Screw, Hollow Head	10
5	0503-0685	Clamp	5
6	A048V152	Hose	1
7	A048W998	Tube	1
8	0332-1794	Tie, Cable	3
9	0503-1274	Hose	1
10	0503-1140	Clamp	3

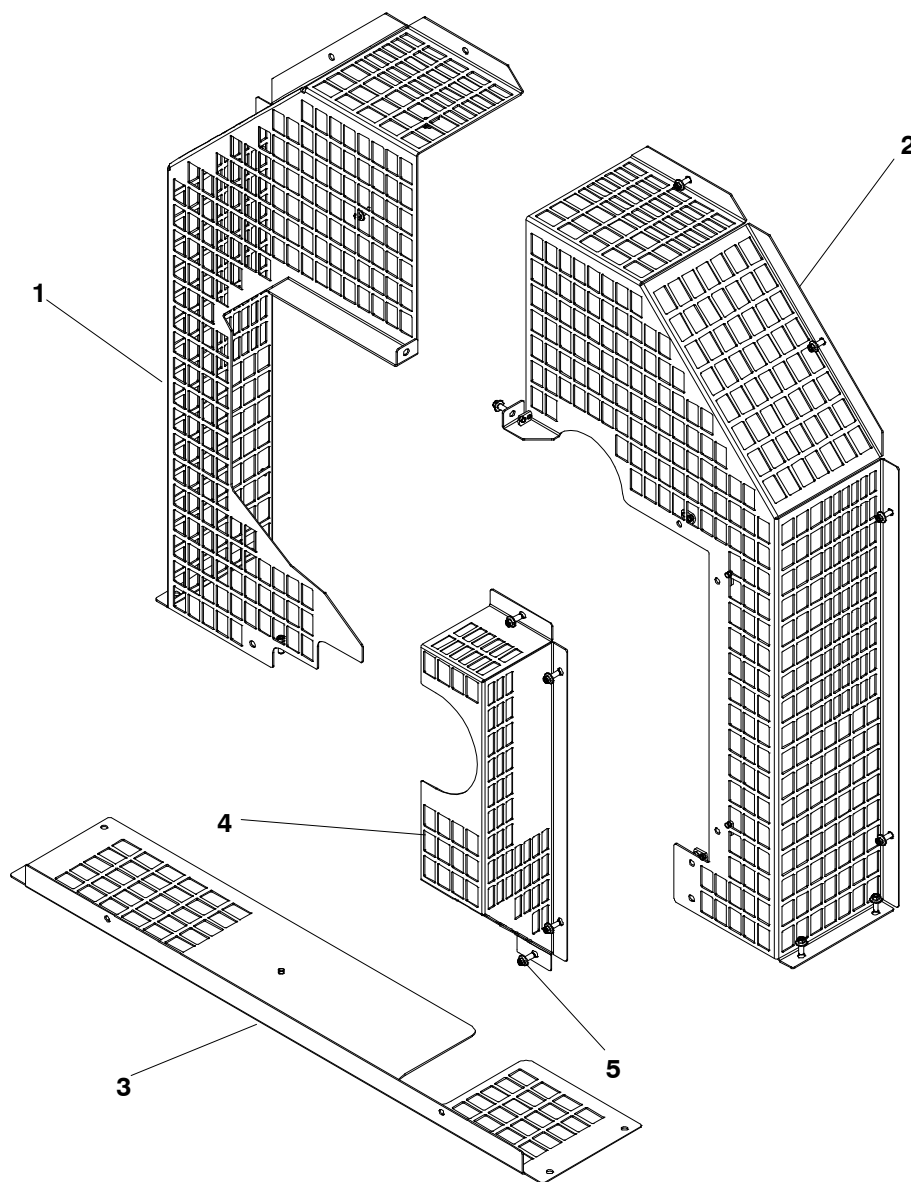
Cooling System (C45 N6, C50 N6) (Illustration #2)



Cooling System (C45 N6, C50 N6) (Illustration #2)

Item	Part No.	Description	Qty
1	A050E989	Shroud, Radiator	1
2	A048U087	Radiator	1
3	A048F734	Support, Post	1
4	A048F744	Bushing	2
5	A048F738	Support, Post	1
6	A048V153	Seal, Edge	2
7	0508-1197	Bushing	2
8	A048V154	Seal, Edge	2
9	A048G835	Bracket, Radiator	1
10	A050P514	Tank, Coolant	1
11	A051B859	Spacer	3
12	0526-2106	Washer, Flat	3
13	0815-0857-06	Screw, Hex Head	3
14	A048N088	Bracket, Radiator	1
15	0815-0781	Screw, Hollow Head	10
16	0815-0857-02	Screw, Hex Head	10
17	0130-3721-01	Cap, Pressure	1
18	0517-0322	Plug	2

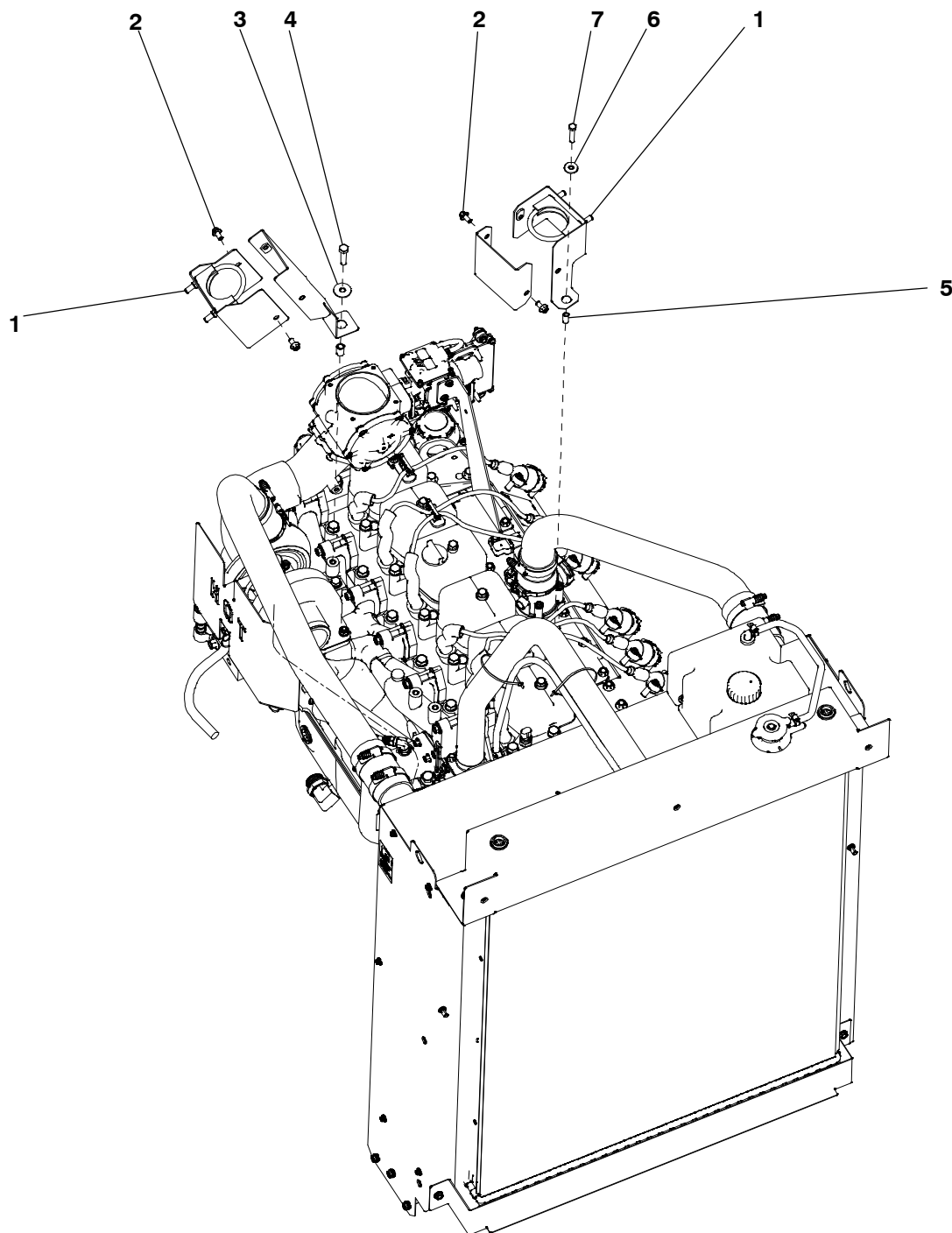
Fan Guard



Item	Part No.	Description	Qty
1	A047C757	Guard, Fan	1
2	A047P717	Guard, Fan	1
3	A047R512	Guard, Fan	1
4	A047P977	Guard, Fan	1
5	0815-0857-02	Screw, Hex Head	19

This page is Intentionally blank.

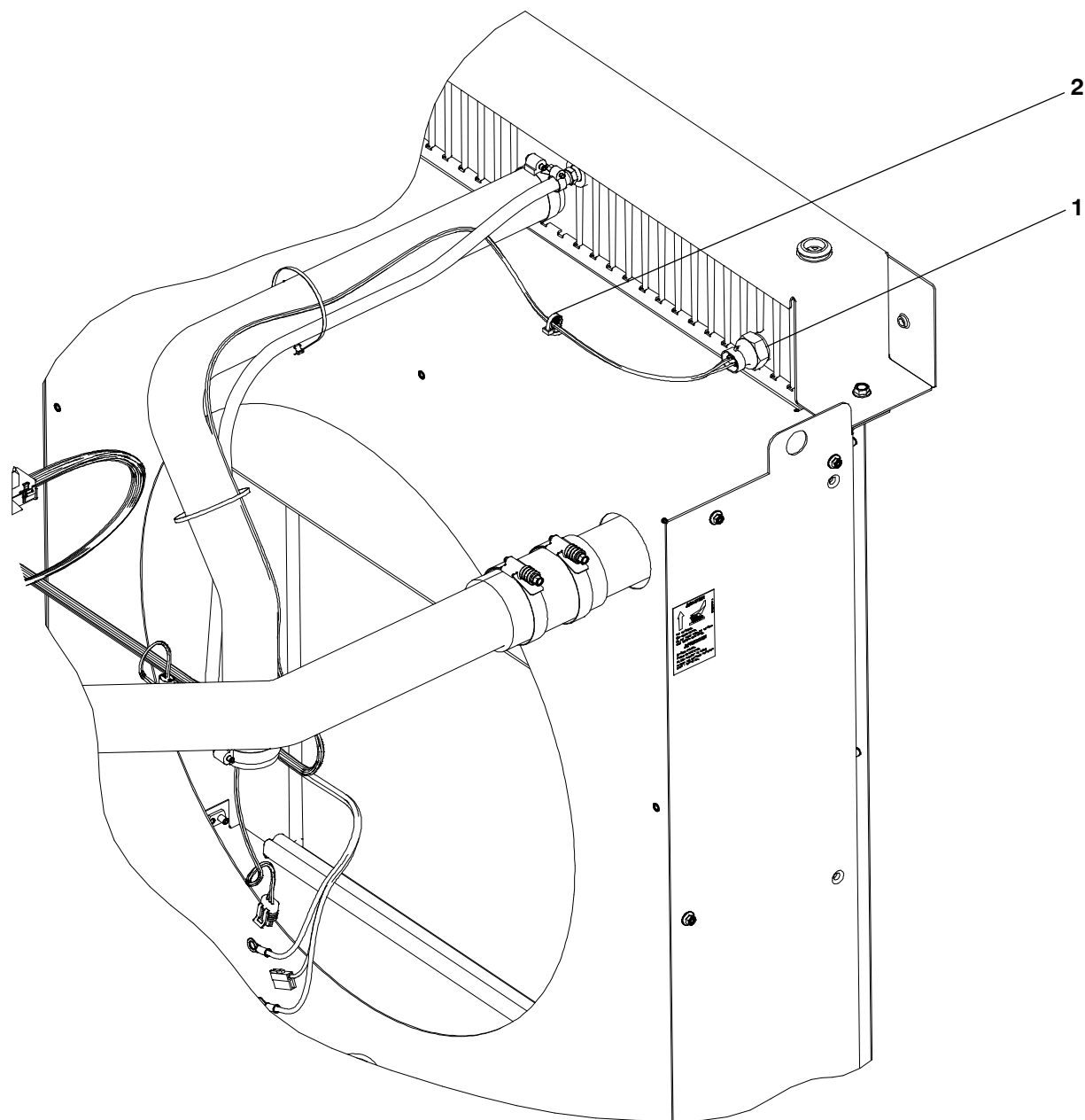
Guard (C70 N6, C80 N6, C100 N6)



Guard (C70 N6, C80 N6, C100 N6)

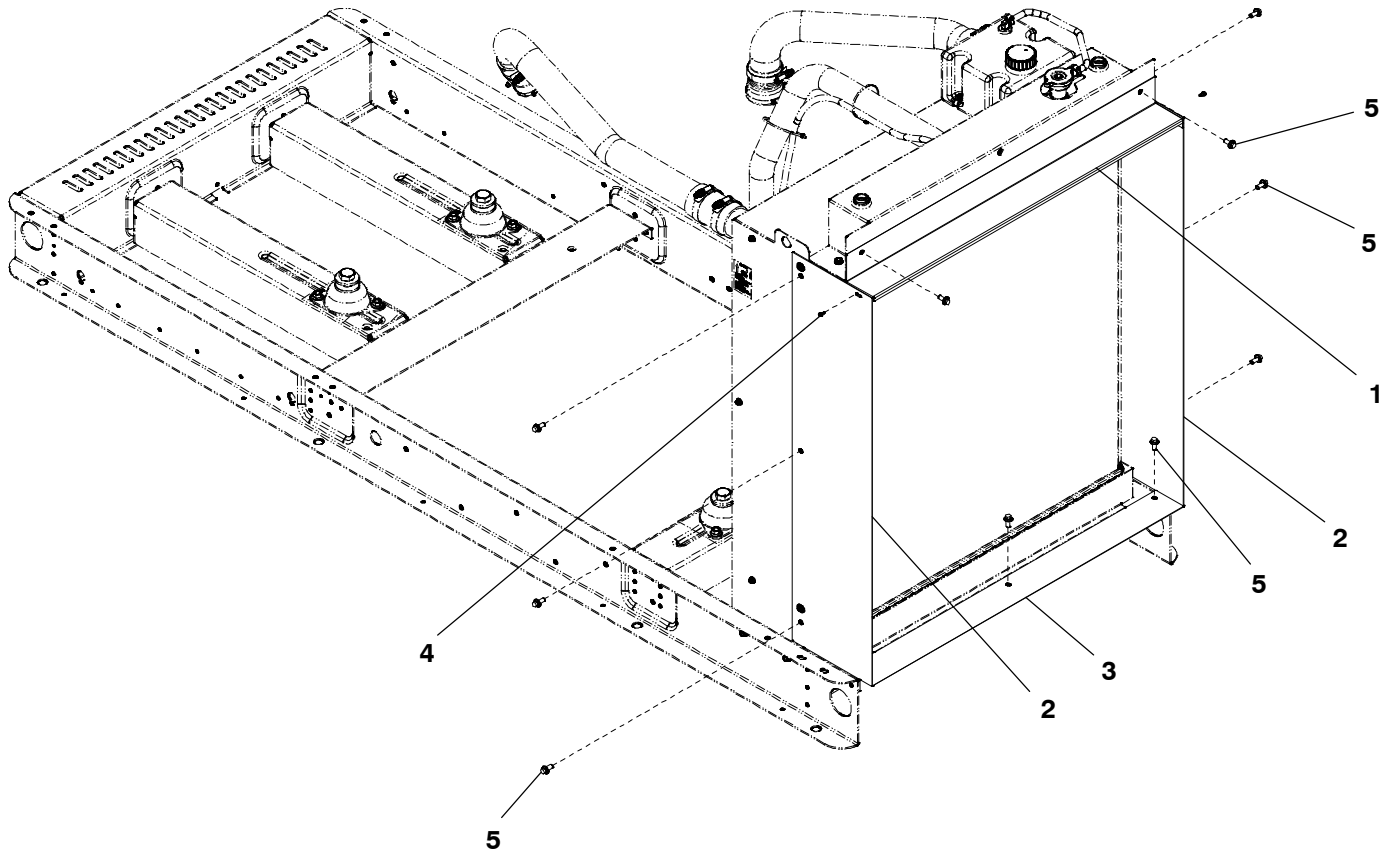
Item	Part No.	Description	Qty
1	0155-2080	Clamp	2
2	0815-0858-01	Screw, Flange Head	4
3	A046T782	Washer, Flat	1
4	0800-3017-40	Screw, Hex Head	1
5	A051B859	Spacer	1
6	0526-0113	Washer, Flat	1
7	0800-3017-23	Screw, Hex Head	1

Low Coolant Sender



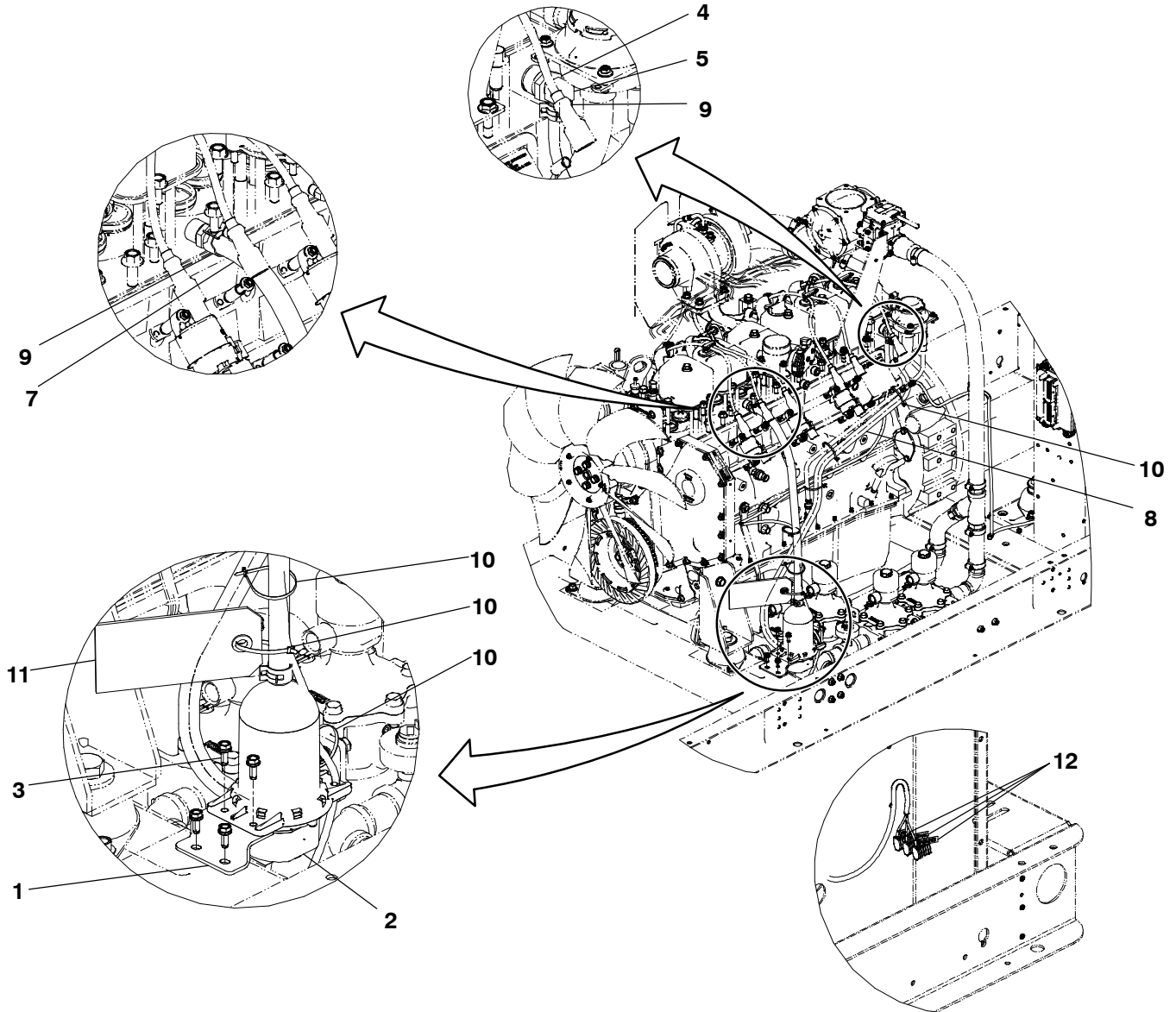
Item	Part No.	Description	Qty
1	A028Z105	Sender, Low Coolant	1
2	A044D694	Tie, Cable	1

Duct Adapter



Item	Part No.	Description	Qty
1	A050A053	Adapter, Duct	1
2	A050A055	Adapter, Duct	2
3	A050A057	Adapter, Duct	1
4	A050H838	Screw, Thread Forming	2
5	0815-0709-01	Screw, Hex Flange Head	11

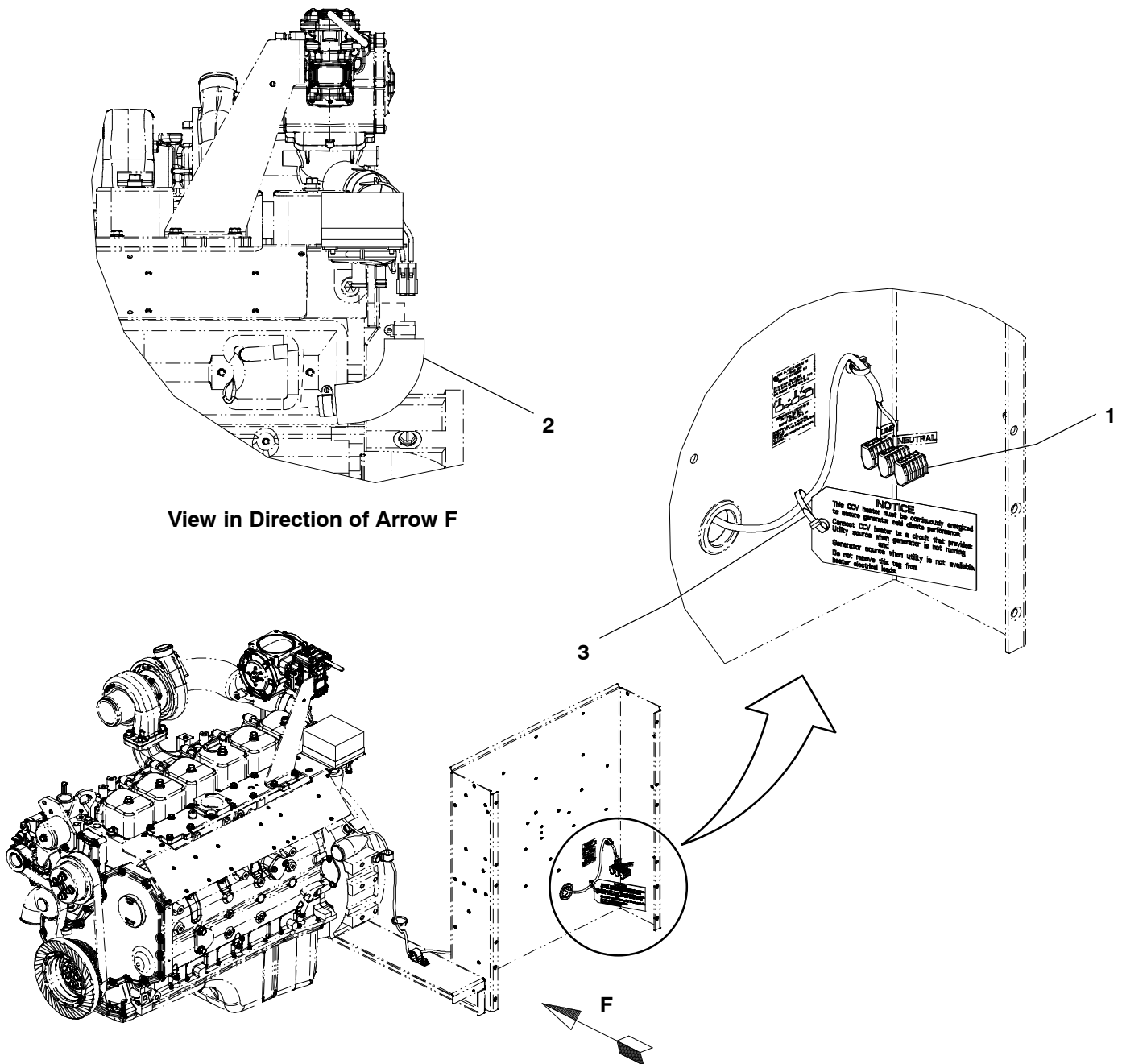
Coolant Heater



Coolant Heater

Item	Part No.	Description	Qty
1	A050M716	Bracket, Support	1
2		Heater, Coolant	
	A050M049	1000W	1
	A050M046	1500W	1
3	0815-0941-03	Screw, Hollow Head	4
4	0505-0131	Bushing, Reducer	1
5	0502-0942	Elbow, 90° Hose	1
6	0502-1006	Fitting, Hose	1
7	A050M658	Hose, Coolant	1
8	A052N352	Hose, Coolant	1
9	A028X740	Clamp	4
10	0332-1794	Tie, Cable	12
11	0098-6030	Tag, Caution	1
12	A046G477	Label, Marking	1

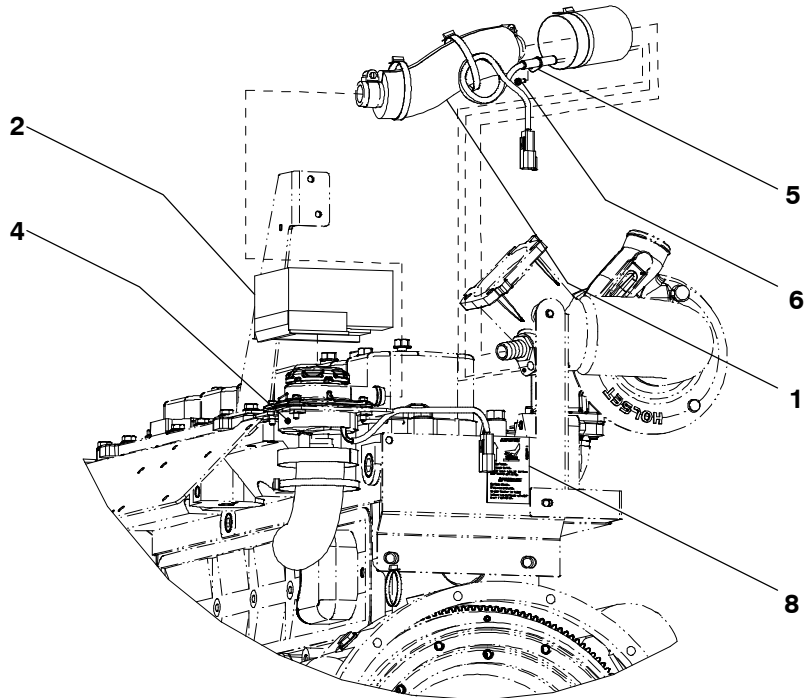
Heater – Cold Ambient (C60 N6, C70 N6, C80 N6, C100 N6) (Illustration #1)



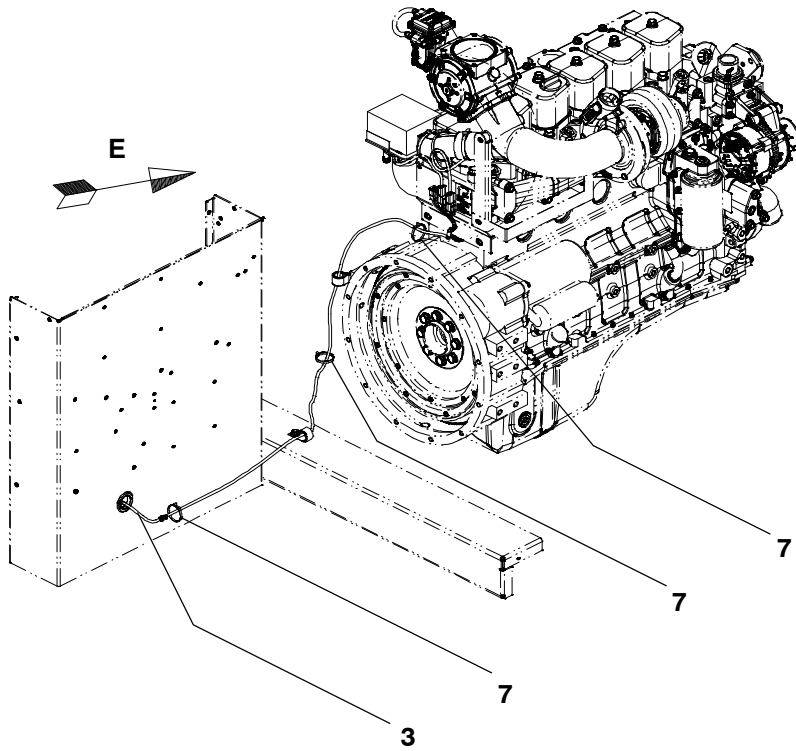
Item	Part No.	Description	Qty
1	A046D267	Connector, Terminal Block	3
2	A052D799	Insulation, Hose	2
3	0332-3388	Tie, Cable	4

This page is Intentionally blank.

Heater – Cold Ambient (C60 N6, C70 N6, C80 N6, C100 N6) (Illustration #2)



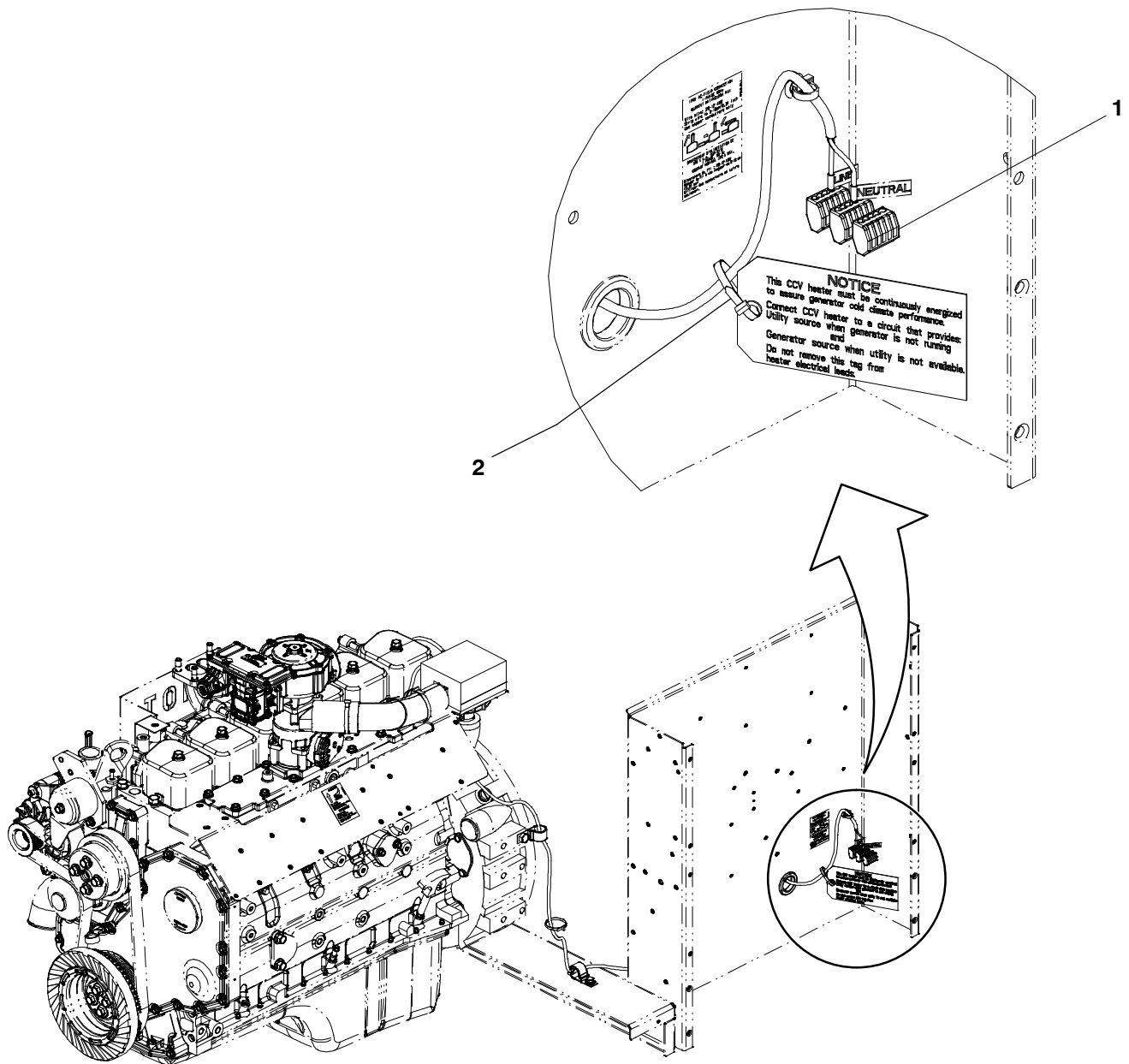
View in Direction of Arrow E



Heater – Cold Ambient (C60 N6, C70 N6, C80 N6, C100 N6) (Illustration #2)

Item	Part No.	Description	Qty
1	A052D799	Insulation, Hose	2
2	A052C073	Insulation, Cap	1
3	A052C979	Harness, Heater	1
4	A052C984	Heater, Flexible	1
5	A052C981	Heater, Cartridge	1
6	0815-0550	Screw, Pan Head	1
7	0332-3388	Tie, Cable	4
8	A048G949	Label, Caution	1

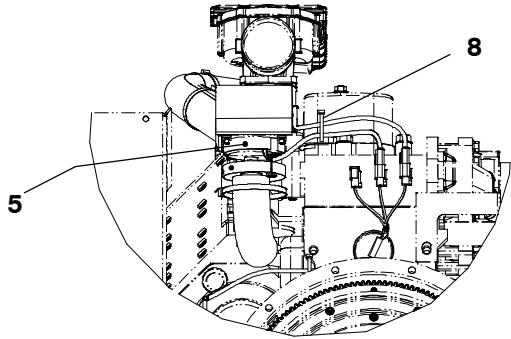
Heater – Cold Ambient (C45 N6, C50 N6) (Illustration #1)



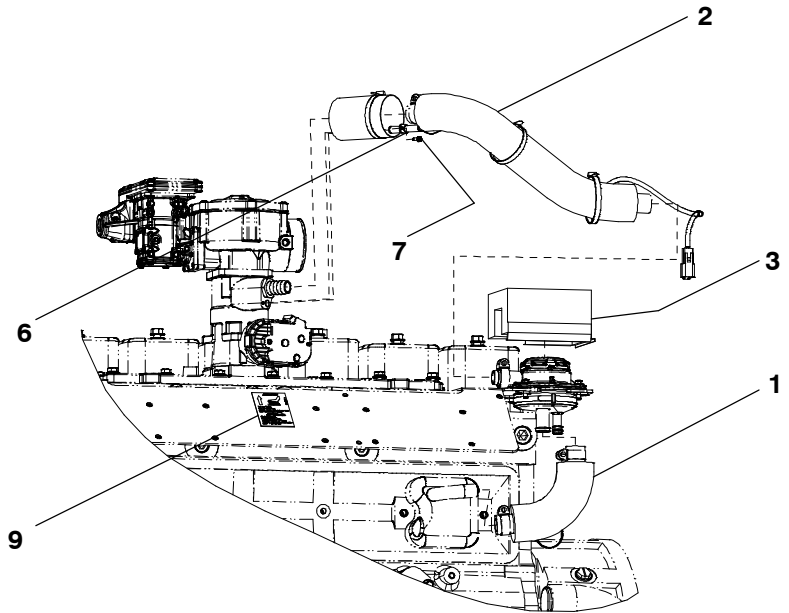
Item	Part No.	Description	Qty
1	A046D267	Connector, Terminal Block	3
2	0332-3388	Tie, Cable	5

This page is Intentionally blank.

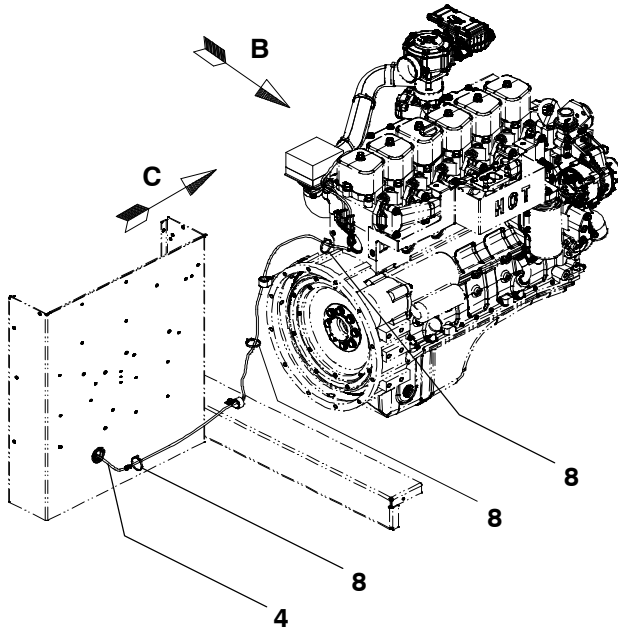
Heater – Cold Ambient (C45 N6, C50 N6) (Illustration #2)



View in Direction of Arrow C



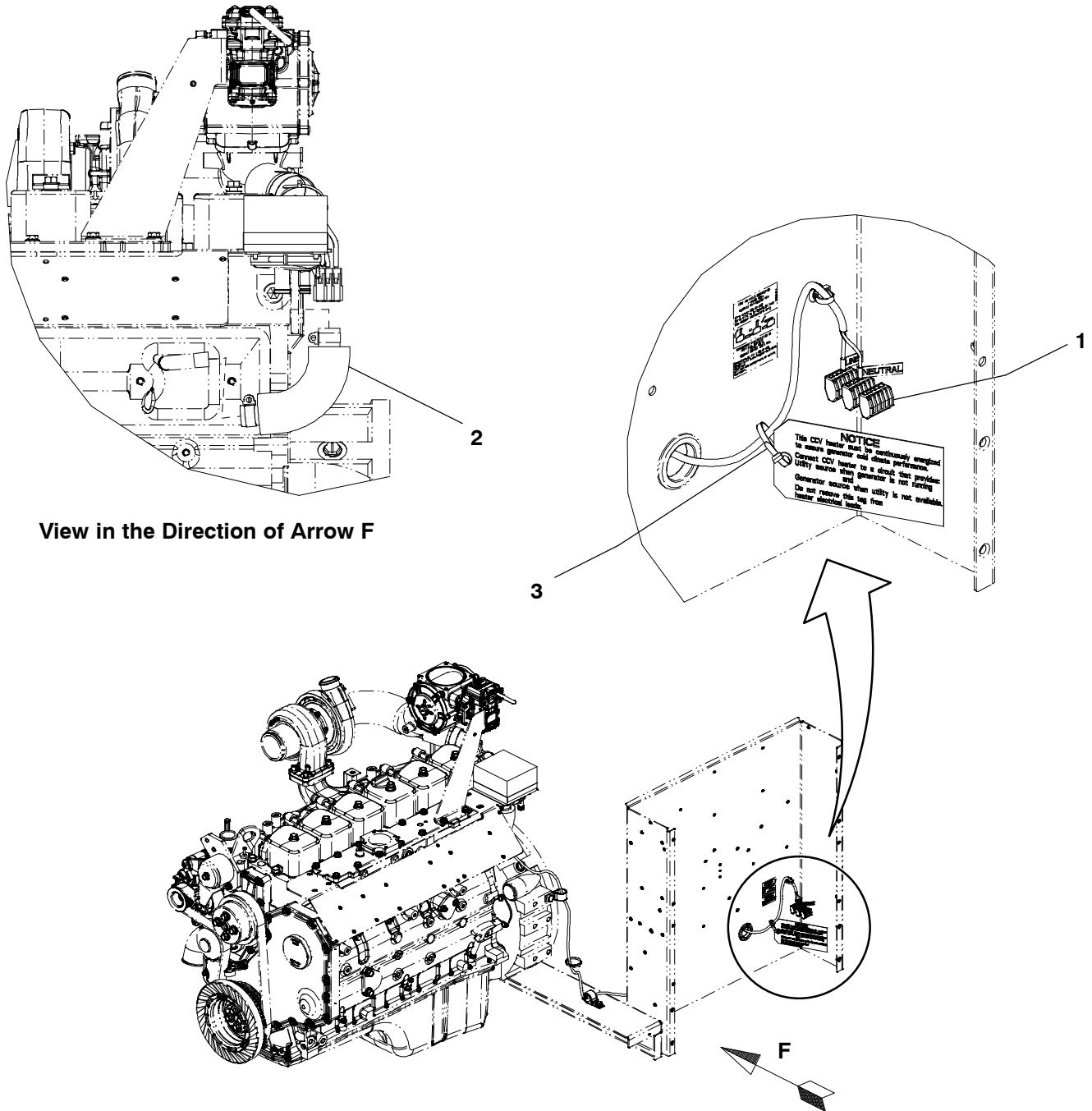
View in Direction of Arrow B



Heater – Cold Ambient (C45 N6, C50 N6) (Illustration #2)

Item	Part No.	Description	Qty
1	A052D799	Insulation, Hose	1
2	A052D801	Insulation, Hose	1
3	A052C073	Insulation, Cap	1
4	A052C979	Harness, Heater	1
5	A052C984	Heater, Flexible	1
6	A052C981	Heater, Cartridge	1
7	0815-0550	Screw, Pan Head	1
8	0332-3388	Tie, Cable	5
9	A048G949	Label, Caution	1

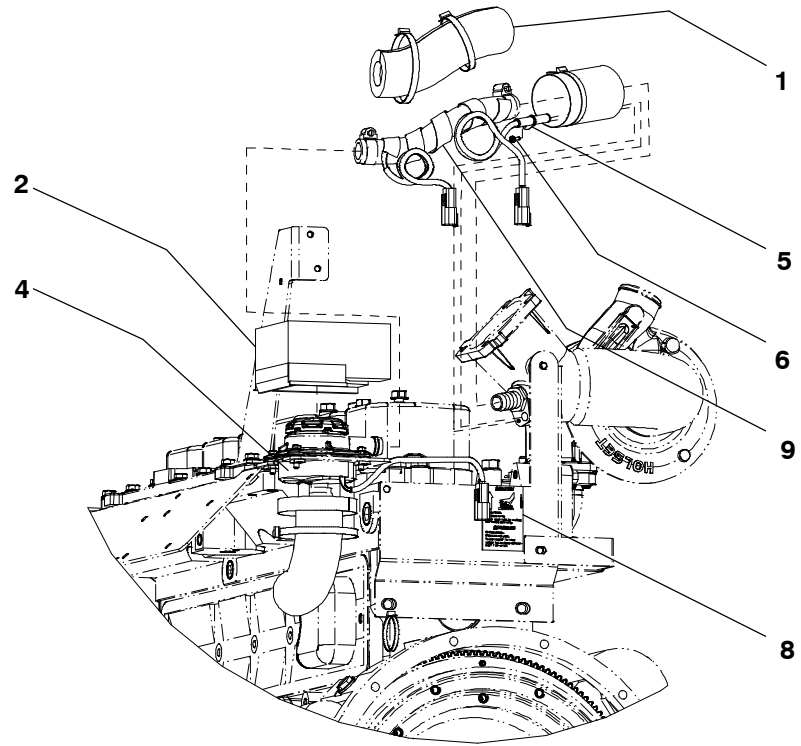
Heater – Extreme Cold Ambient (C60 N6, C70 N6, C80 N6, C100 N6) (Illustration #1)



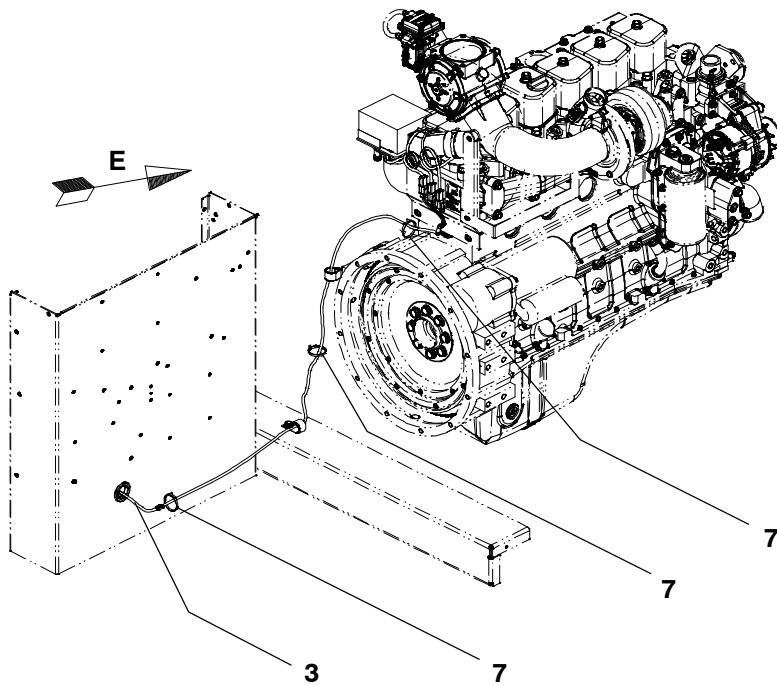
Item	Part No.	Description	Qty
1	A046D267	Connector, Terminal Block	3
2	A052D799	Insulation, Hose	2
3	0332-3388	Tie, Cable	4

This page is Intentionally blank.

Heater – Extreme Cold Ambient (C60 N6, C70 N6, C80 N6, C100 N6) (Illustration #2)



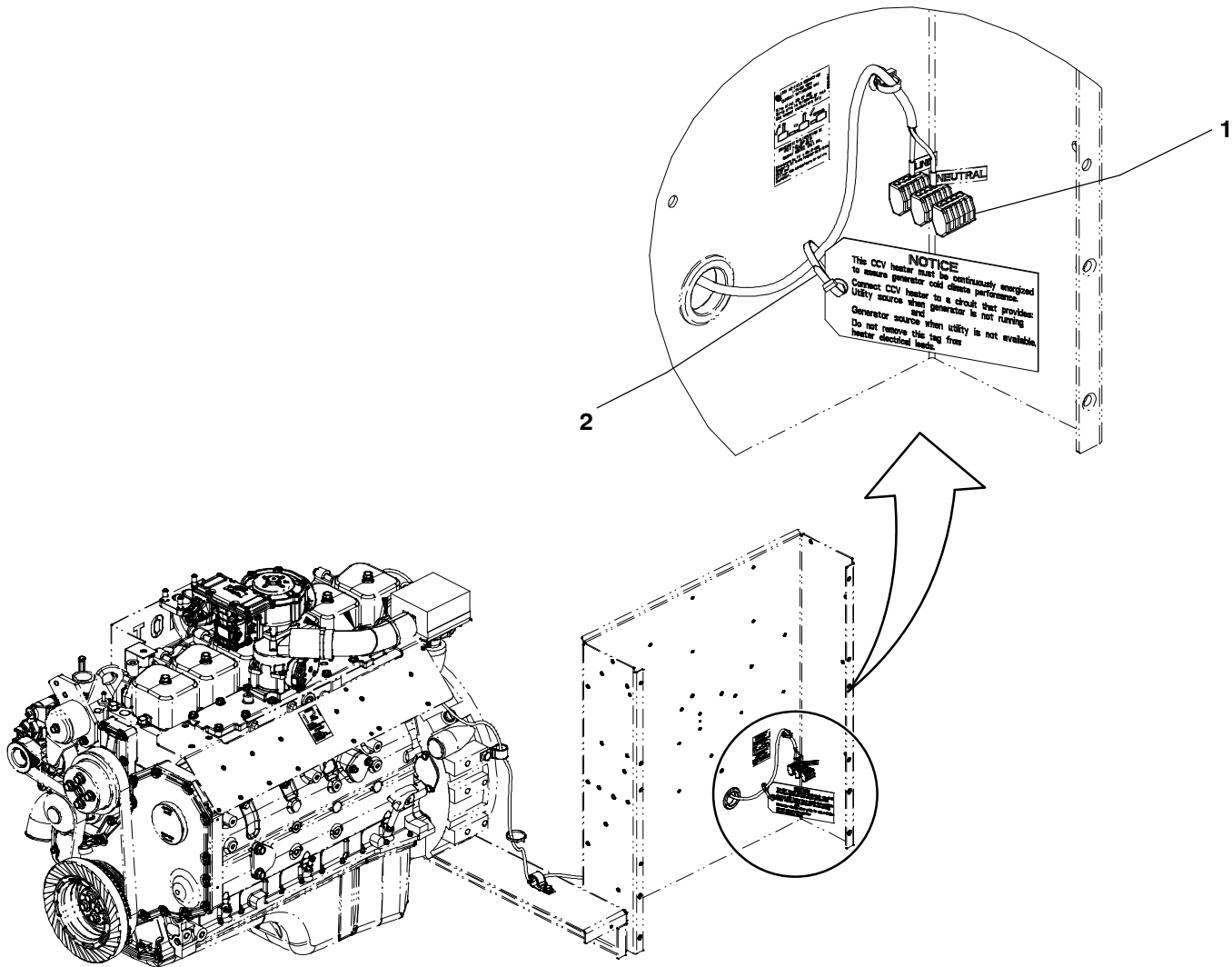
View in Direction of Arrow E



Heater – Extreme Cold Ambient (C60 N6, C70 N6, C80 N6, C100 N6) (Illustration #2)

Item	Part No.	Description	Qty
1	A052D799	Insulation, Hose	2
2	A052C073	Insulation, Cap	1
3	A052C979	Harness, Heater	1
4	A052C984	Heater, Flexible	1
5	A052C981	Heater, Cartridge	1
6	0815-0550	Screw, Pan Head	1
7	0332-3388	Tie, Cable	4
8	A048G949	Label, Caution	1
9	A052C988	Heater, Flexible	1

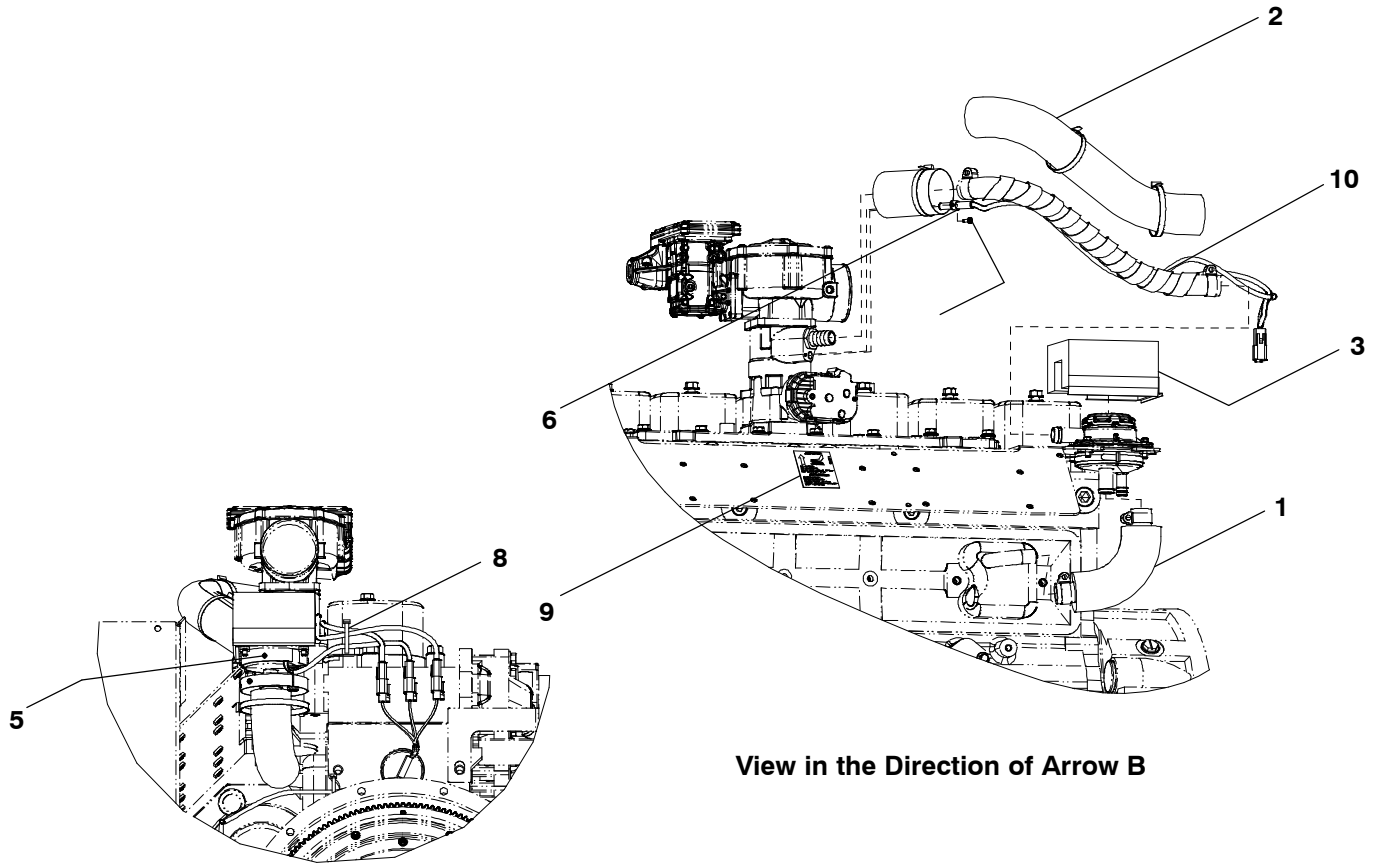
Heater – Extreme Cold Ambient (C45 N6, C50 N6) (Illustration #1)



Item	Part No.	Description	Qty
1	A046D267	Connector, Terminal Block	3
2	0332-3388	Tie, Cable	5

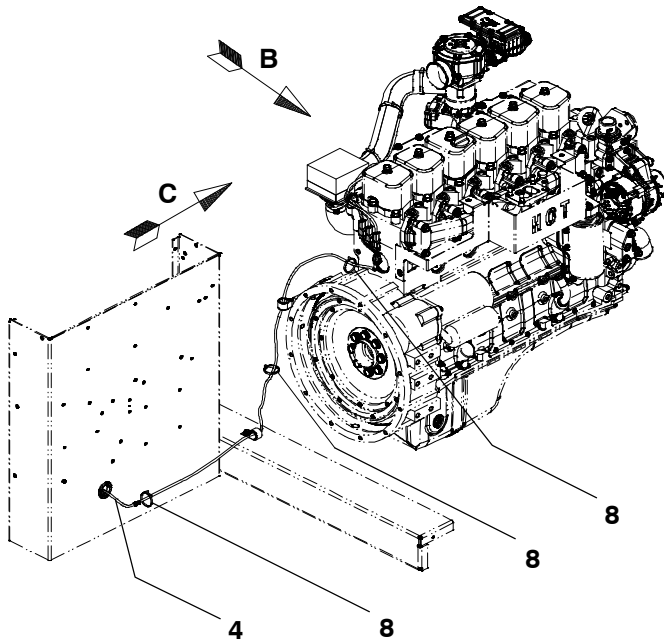
This page is Intentionally blank.

Heater – Extreme Cold Ambient (C45 N6, C50 N6) (Illustration #2)



View in the Direction of Arrow B

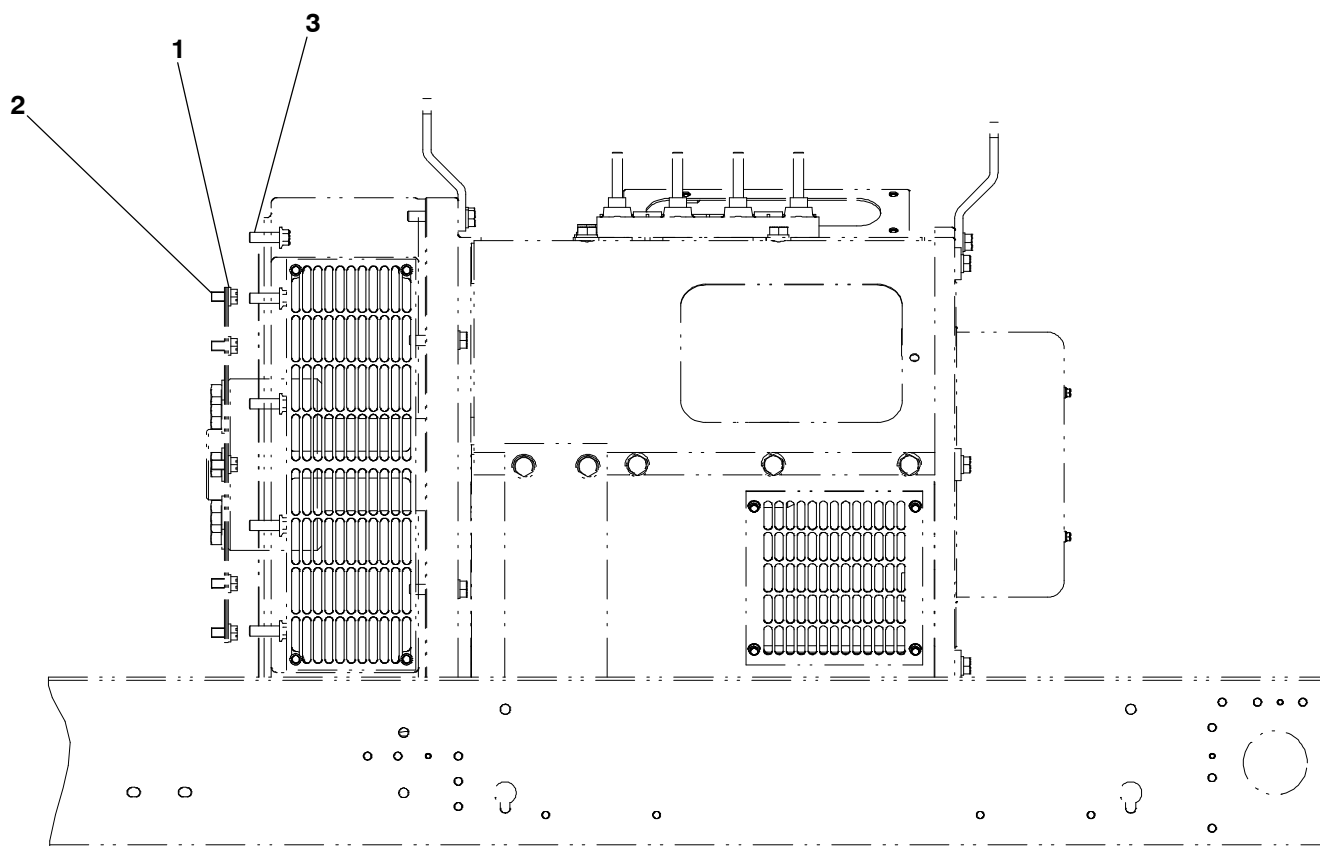
View in the Direction of Arrow C



Heater – Extreme Cold Ambient (C45 N6, C50 N6) (Illustration #2)

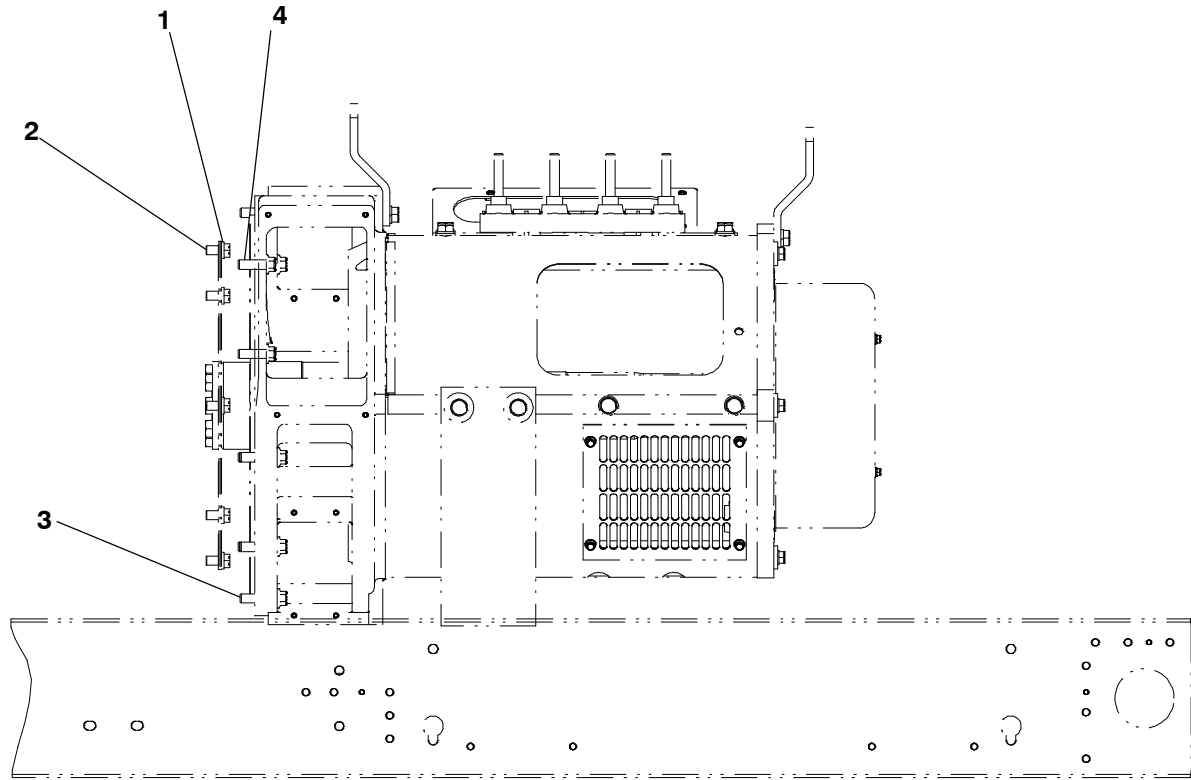
Item	Part No.	Description	Qty
1	A052D799	Insulation, Hose	1
2	A052D801	Insulation, Hose	1
3	A052C073	Insulation, Cap	1
4	A052C979	Harness, Heater	1
5	A052C984	Heater, Flexible	1
6	A052C981	Heater, Cartridge	1
7	0815-0550	Screw, Pan Head	1
8	0332-3388	Tie, Cable	5
9	A048G949	Label, Caution	1
10	A052C986	Heater, Flexible	1

Alternator Fasteners – UC22



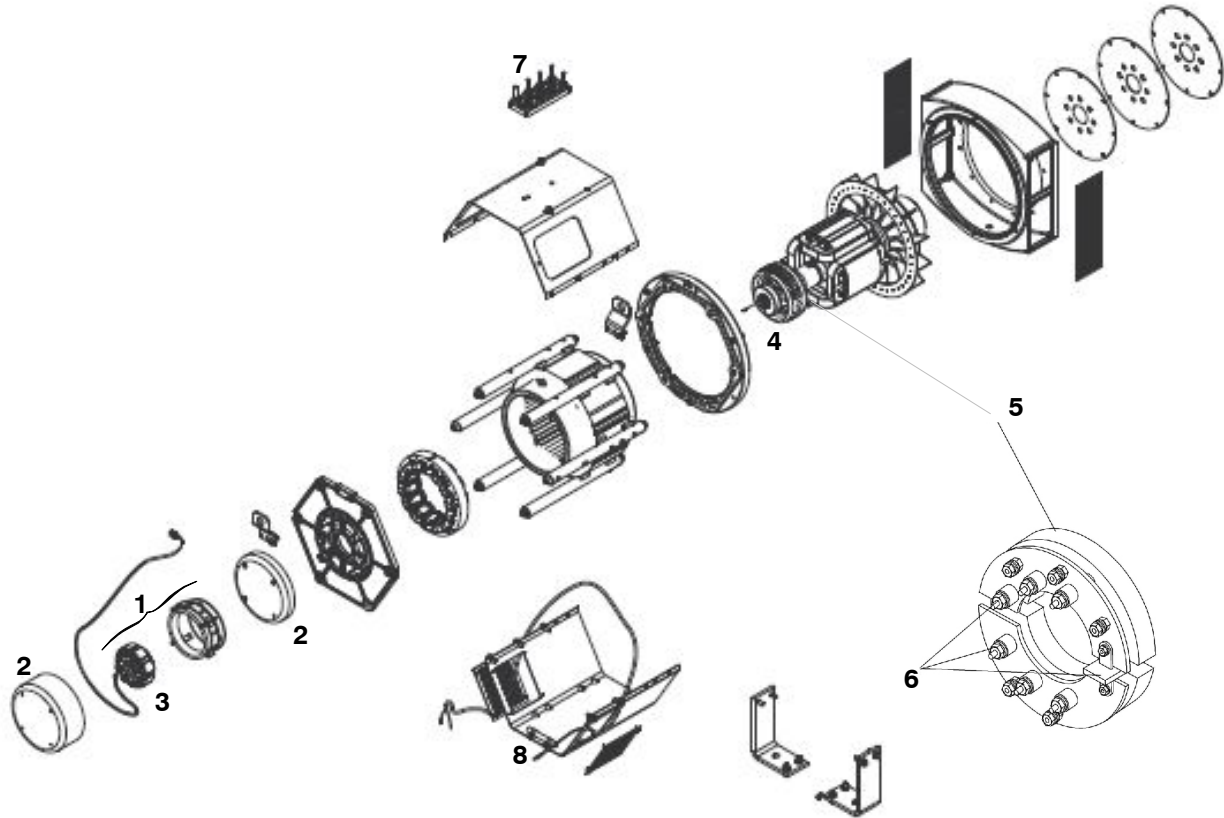
Item	Part No.	Description	Qty
1	A046A715	Washer, Flat	8
2	0805-0015	Bolt, Place	8
3	A044B045	Screw, Hex Flange Head	12

Alternator Fasteners – UC27



Item	Part No.	Description	Qty
1	A046A715	Washer, Flat	8
2	0805-0015	Bolt, Place	8
3	A044B045	Screw, Hex Flange Head	4
4	A048W223	Screw, Hex Flange Head	6

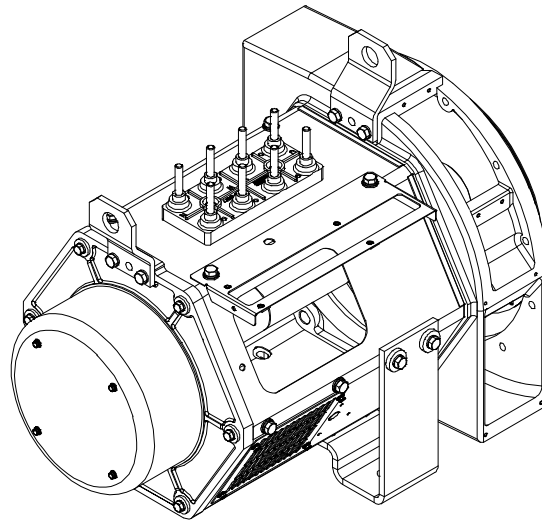
Alternator Service Parts



**Alternator
 Service Parts**

Item	Part No.	Description	Qty
1	A052U030	Complete PMG Upfit Kit	1
2	A049E982	PMG Cover (Cover Included in Above Kit)	1
	450-14450	Non PMG Cover	1
3	45-1080	Current PMG Rotor/Stator Repair Kit	1
4		NDE Bearing Kit	
	45-0867	UC22	1
	45-0868	UC27	1
5	45-0428	Rotating Rectifier Assy	1
6	RSK-2001	Diode FRW/REV and Varistor Kit	1
7	450-15617	Main Terminal Board	1
8	A052A179	Heater	1
	A051N073	UC22 Complete Alternator	1
	A051N074	UC27 Complete Alternator	1
		<p>NOTE: If the first position of the alternator serial number is M, the replacements for the rotor and stator are no longer available. Please contact the factory Technical Support for more information.</p>	

Alternator – Complete



Item	Part No.	Description	Qty
		Alternator – 60Hz, 12L, 480/277V, 120C, 40C Ambient	
	A049M668	UC224D – C45 N6, C50 N6	
	A049M680	UC224F – C60 N6, C70 N6	
	A049M682	UC224G – C80 N6	
	A049M720	UC274D – C100 N6	
		Alternator – 60Hz, 12L, 208/120V, 120C, 40C Ambient	
	A049M668	UC224D – C45 N6	
	A049M673	UC224D – C50 N6	
	A049M680	UC224F – C60 N6	
	A049M682	UC224G – C70 N6	
	A049M684	UC224G – C80 N6	
	A049M720	UC274D – C100 N6	
		Alternator – 60Hz, 6L, 600/347V, 120C, 40C Ambient	
	A049M652	UC224D – C45 N6, C50 N6	
	A049M655	UC224E – C60 N6	
	A049M657	UC224F – C70 N6	
	A049M660	UC224G – C80 N6	
	A049M664	UC274D – C100 N6	
		Alternator – 60Hz, 12L, 240/120V, 120C, 40C Ambient	
	A049M668	UC224D – C45 N6	
	A049M673	UC224D – C50 N6	
	A049M680	UC224F – C60 N6	
	A049M682	UC224G – C70 N6	
	A049M684	UC224G – C80 N6	
	A049M720	UC274D – C100 N6	

Alternator – Complete (Continued)

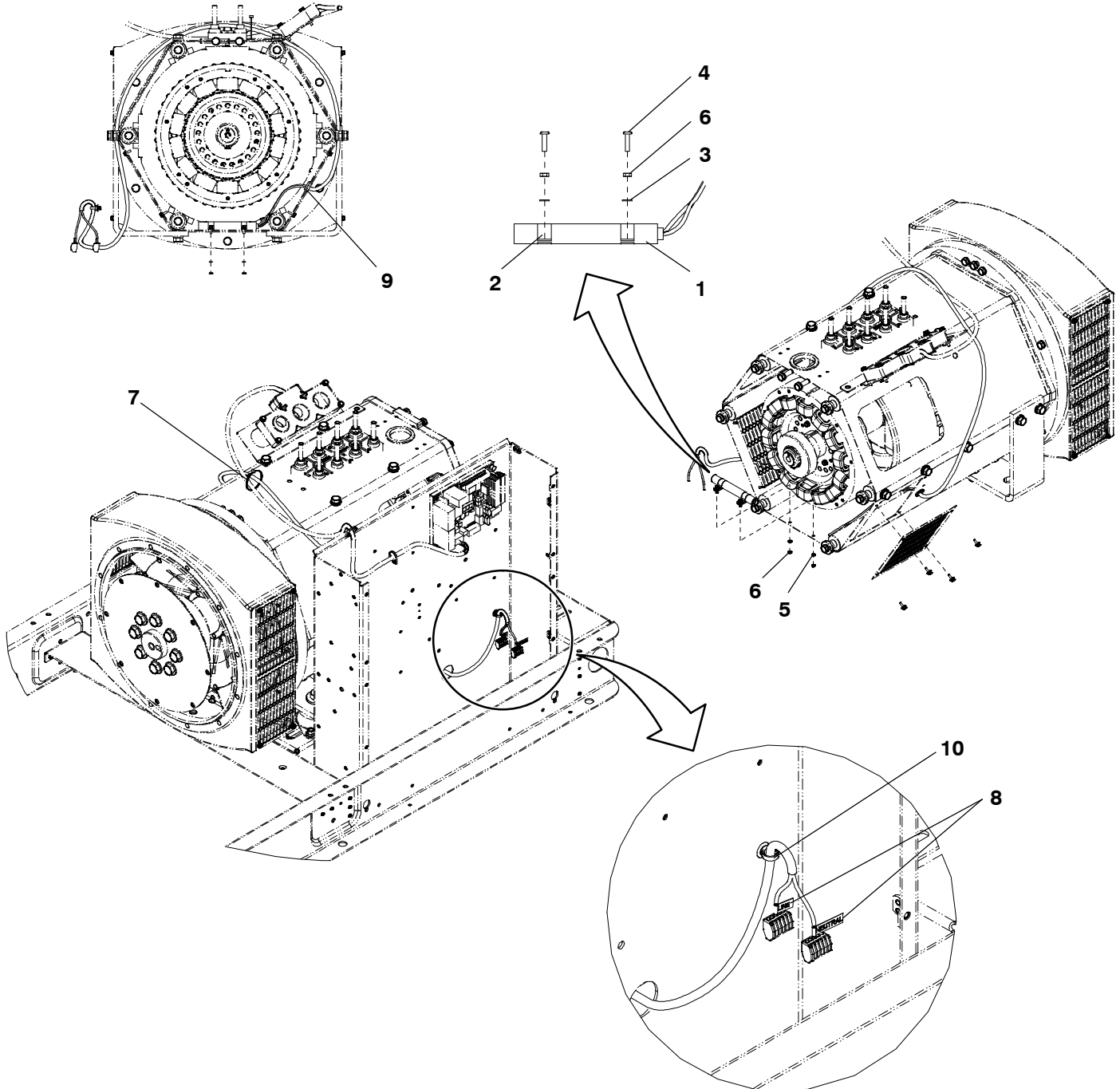
Item	Part No.	Description	Qty
		Alternator – 60Hz, 12L, 220/127V, 105C, 40C Ambient, IMS	
	A049M671	UC224E – C45 N6, C50 N6	
	A049M680	UC224F – C60 N6	
	A049M682	UC224G – C70 N6	
	A049M686	UC274C – C80 N6	
	A049M720	UC274D – C100 N6	
		Alternator – 60Hz, 12L, 220/127V, 120C, 40C Ambient	
	A049M668	UC224D – C45 N6, C50 N6	
	A049M680	UC224F – C60 N6, C70 N6	
	A049M686	UC274C – C80 N6	
	A049M720	UC274D – C100 N6	
		Alternator – 60Hz, Reconnect, Full Output, 105C, 40C Ambient, IMS	
	A049M680	UC224F – C45 N6, C50 N6	
	A049M696	UC274E – C80 N6	
	A049M720	UC274D – C60 N6, C70 N6	
		Alternator – 60Hz, Reconnect, Full Output, 120C, 40C Ambient, IMS	
	A049M671	UC224E – C45 N6	
	A049M680	UC224F – C50 N6	
	A049M682	UC224G – C60 N6	
	A049M696	UC274E – C80 N6	
	A049M716	UC274F – C100 N6	
	A049M720	UC274D – C70 N6	
		Alternator – 60Hz, 8L, 120V, 1Ph, 120C, 40C Ambient	
	A049M630	UC224E – C45 N6, C50 N6	
	A049M637	UC224F – C60 N6	
	A049M640	UC224G – C70 N6	
	A049M642	UC274C – C80 N6	
	A049M644	UC274D – C100 N6	
		Alternator – 60Hz, 8L, 240/120V, 1Ph, 105C, 40C Ambient, IMS	
	A049M630	UC224E – C45 N6	
	A049M637	UC224F – C50 N6	
	A049M640	UC224G – C60 N6	
	A049M642	UC274C – C70 N6	
	A049M644	UC274D – C80 N6	
	A049M648	UC274E – C100 N6	
		Alternator – 60Hz, 12L, 600/347V, 105C, 40C Ambient, IMS	
	A049M652	UC224D – C45 N6	
	A049M655	UC224E – C50 N6	
	A049M657	UC224F – C60 N6	
	A049M660	UC224G – C70 N6	
	A049M662	UC274C – C80 N6	
	A049M664	UC274D – C100 N6	

Alternator – Complete (Continued)

Item	Part No.	Description	Qty
		Alternator – 60Hz, 12L, 208/120V, 105C, 40C Ambient, IMS	
	A049M671	UC224E – C45 N6, C50 N6	
	A049M680	UC224F – C60 N6	
	A049M682	UC224G – C70 N6	
	A049M689	UC274C – C80 N6	
	A049M696	UC274E – C100 N6	
		Alternator – 60Hz, 12L, 240/120V, 105C, 40C Ambient, IMS	
	A049M671	UC224E – C45 N6, C50 N6	
	A049M680	UC224F – C60 N6	
	A049M682	UC224G – C70 N6	
	A049M689	UC274C – C80 N6	
	A049M696	UC274E – C100 N6	
		Alternator – 60Hz, 12L, 480/277V, 105C, 40C Ambient, IMS	
	A049M668	UC224D – C45 N6	
	A049M671	UC224E – C50 N6	
	A049M680	UC224F – C60 N6	
	A049M682	UC224G – C70 N6	
	A049M686	UC274C – C80 N6	
	A049M720	UC274D – C100 N6	

This page is Intentionally blank.

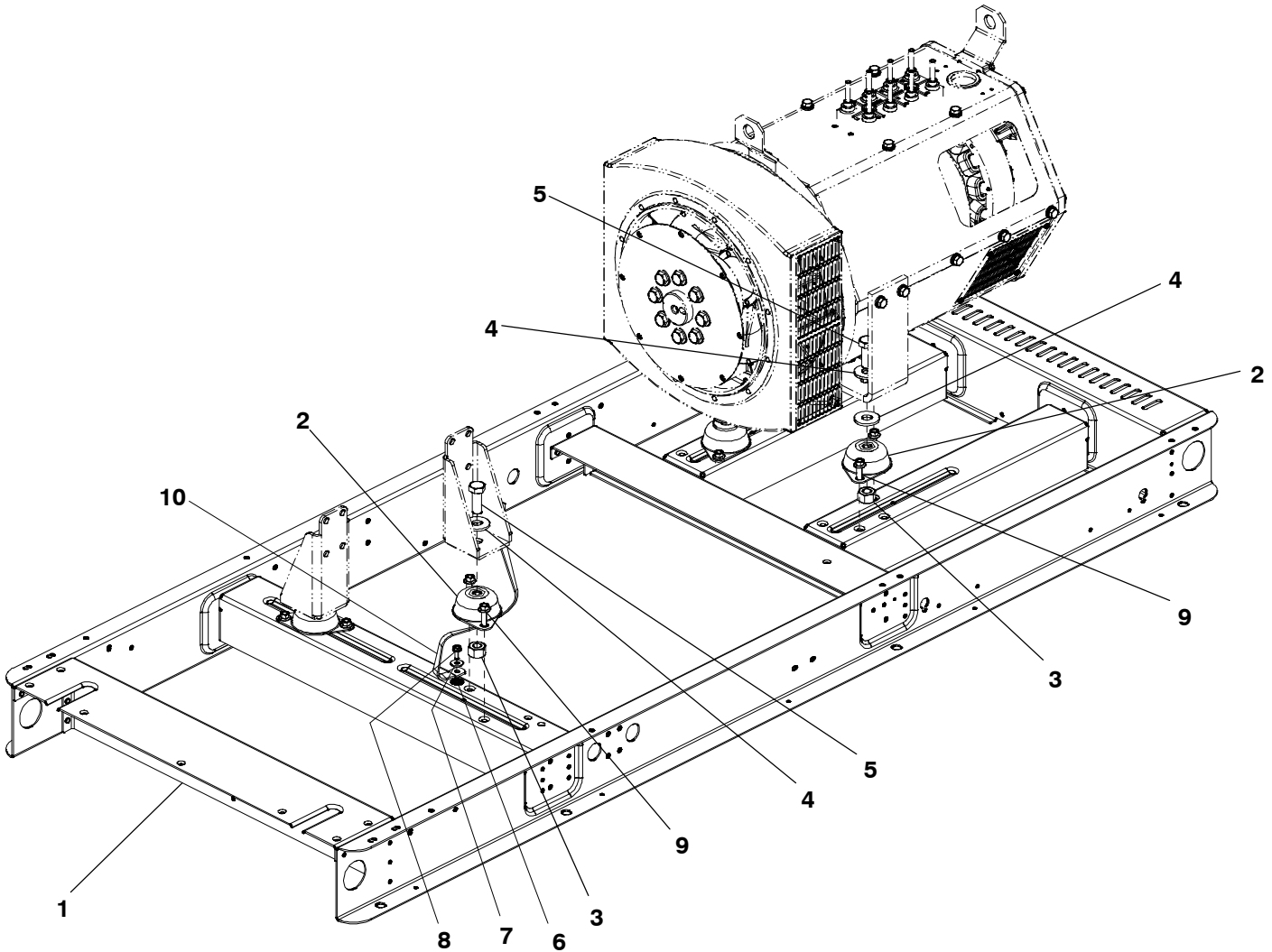
Alternator Heater



Alternator Heater

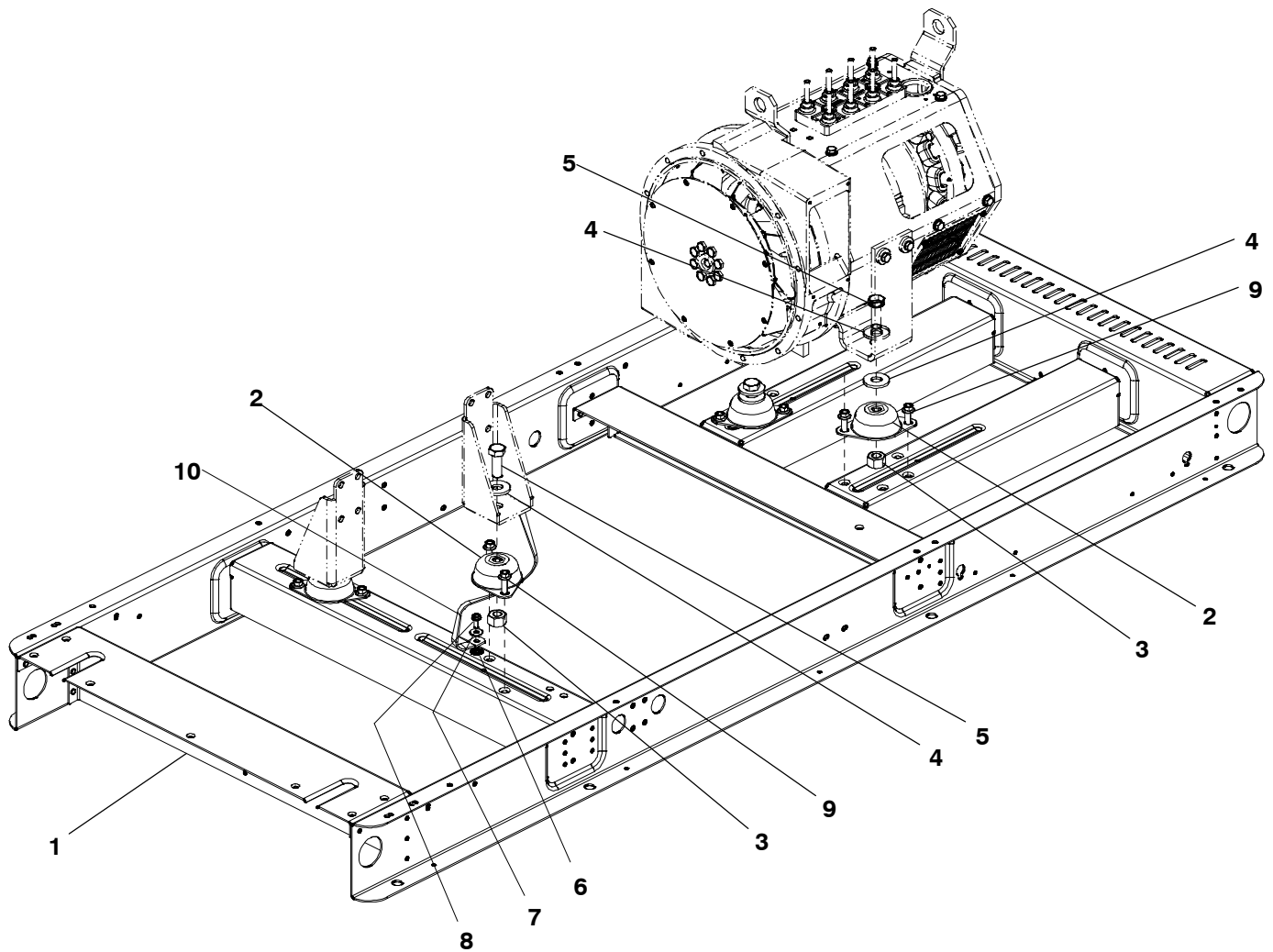
Item	Part No.	Description	Qty
1	A049V689	Heater, Cartridge	1
2	0332-3024-11	Clamp, Loop	2
3	0526-2050	Washer, Flat	2
4	0822-3075	Screw, Pan Head	2
5	0850-2004	Washer, Lock	2
6	0860-2005	Nut, Hex	4
7	0332-0942	Tie, Cable	1
8	A046G477	Label, Marking	1
9	0508-0289	Grommet	1
10	A044D694	Tie, Cable	1

**Chassis
 (UCD27)**



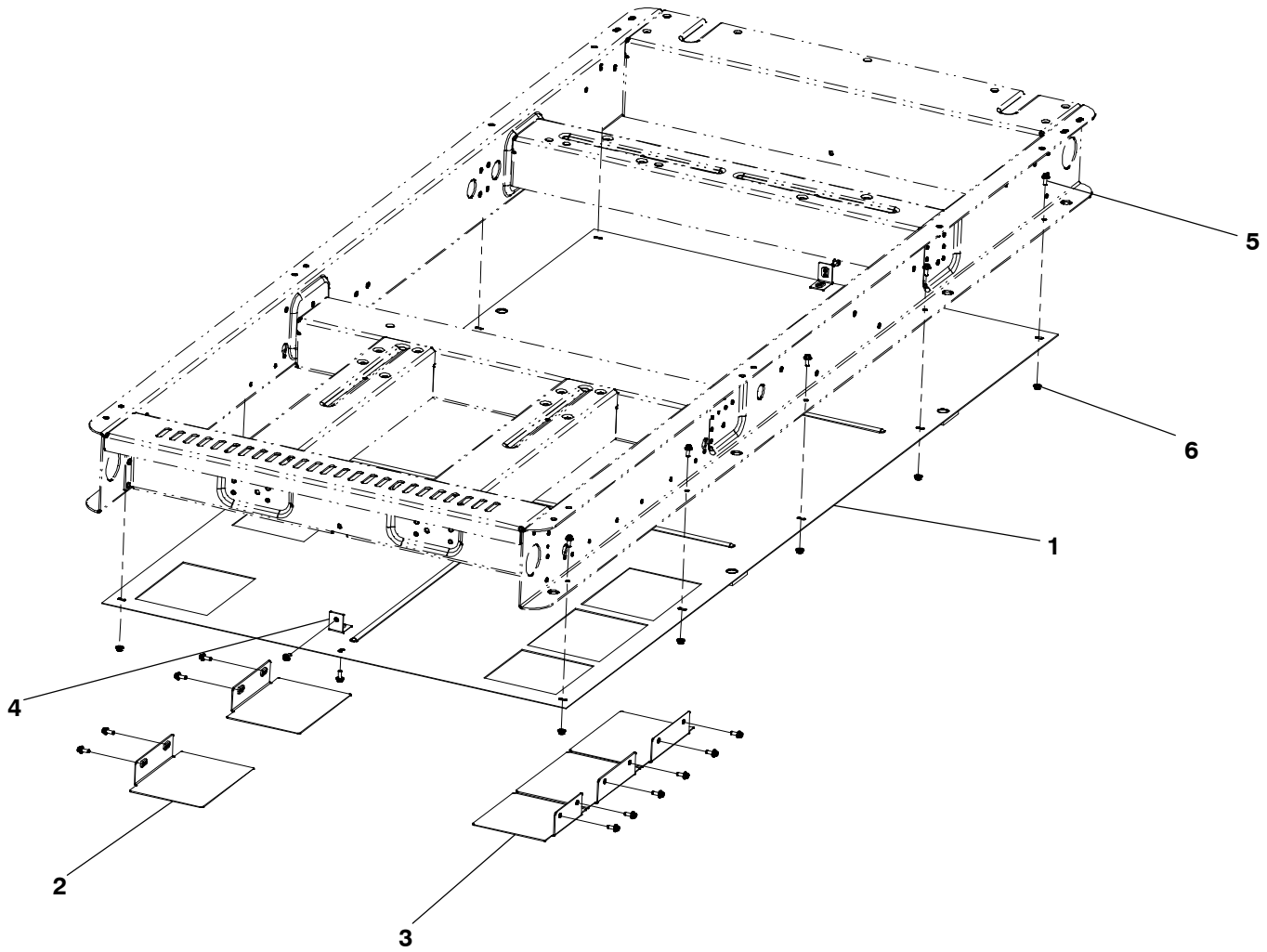
Item	Part No.	Description	Qty
1	A047E711	Chassis	1
2	0402-0779-05	Isolater, Vibration	4
3	0862-0044	Nut, Hex	4
4	0526-0238-01	Washer, Flat	6
5	0800-0607	Screw, Hex Head	4
6	0856-0010	Washer, Lock	1
7	0526-0399-61	Washer, Flat	1
8	0815-0829-06	Screw, Hollow Head	1
9	A048U555	Screw, Hollow Head	8
10	A048W773	Strap, Electrical	1

Chassis (UC22)



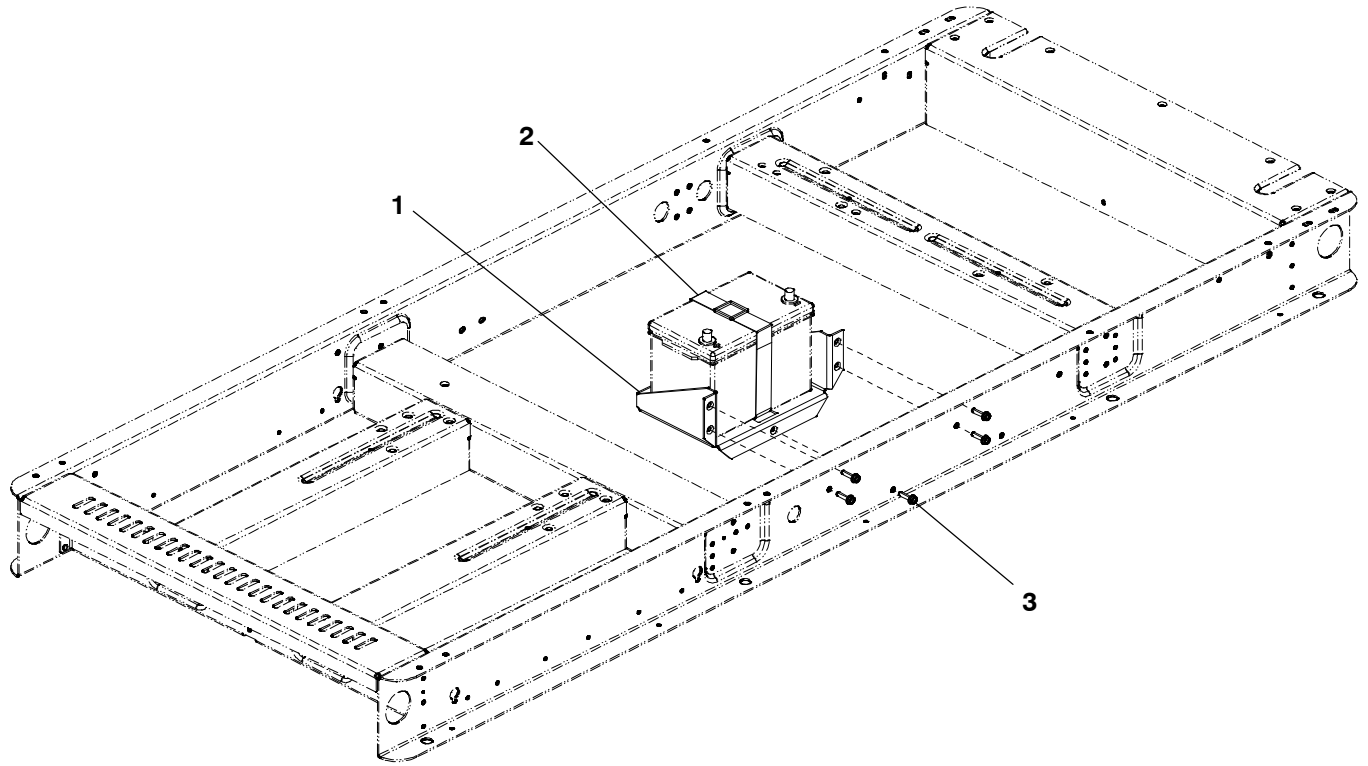
Item	Part No.	Description	Qty
1	A047Y630	Chassis	1
2	0402-0779-02	Isolater, Vibration	4
3	0862-0044	Nut, Hex	4
4	0526-0238-01	Washer, Flat	6
5	0800-0607	Screw, Hex Head	4
6	0856-0010	Washer, Lock	1
7	0526-0399-61	Washer, Flat	1
8	0815-0829-06	Screw, Hollow Head	1
9	A048U555	Screw, Hollow Head	8
10	A048W773	Strap, Electrical	1

Skid Pan



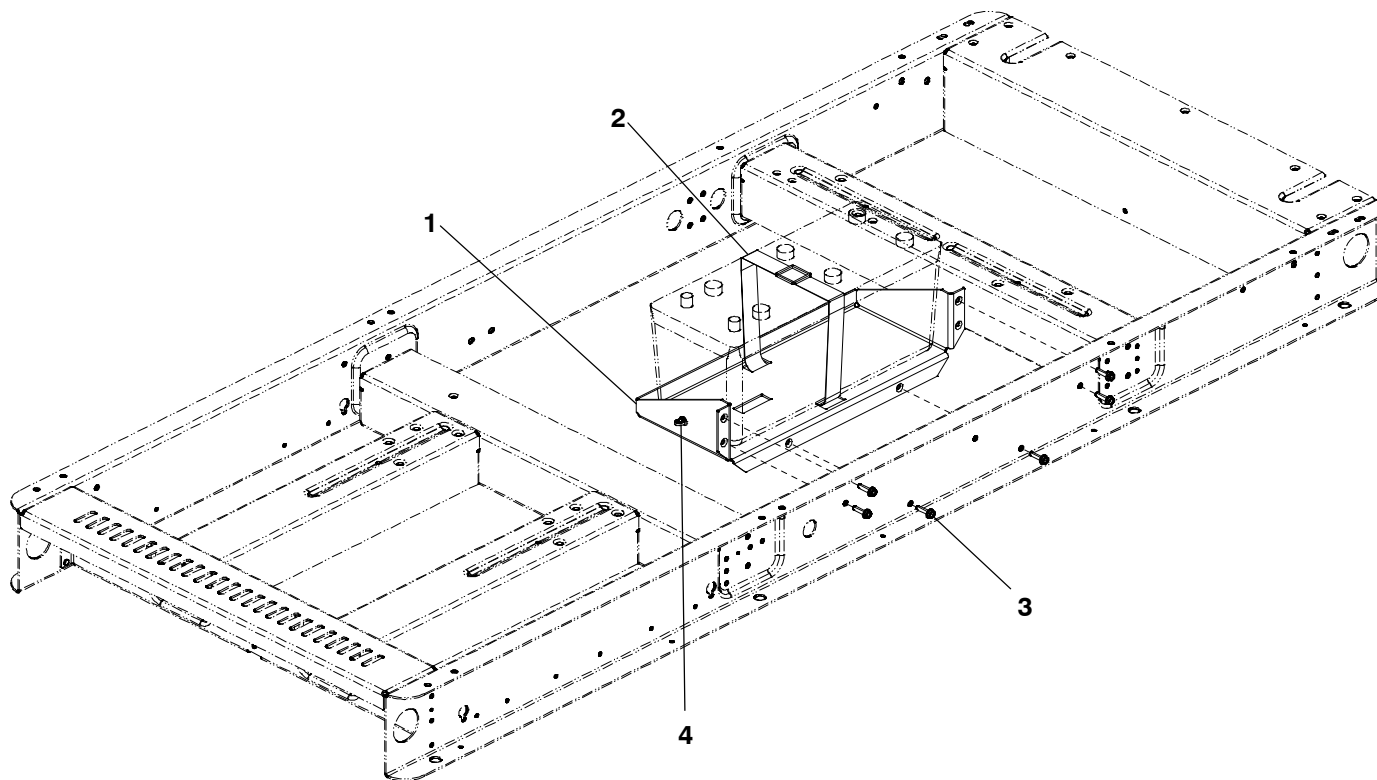
Item	Part No.	Description	Qty
1	A050L611	Pan, Skid	1
2	A050M206	Cover, Plate	4
3	A050M202	Cover, Plate	1
4	A046C014	Member, Support	2
5	0815-0857-02	Screw, Hex Head	24
6	0870-2065-02	Nut, Hex Flange	10

Battery Tray



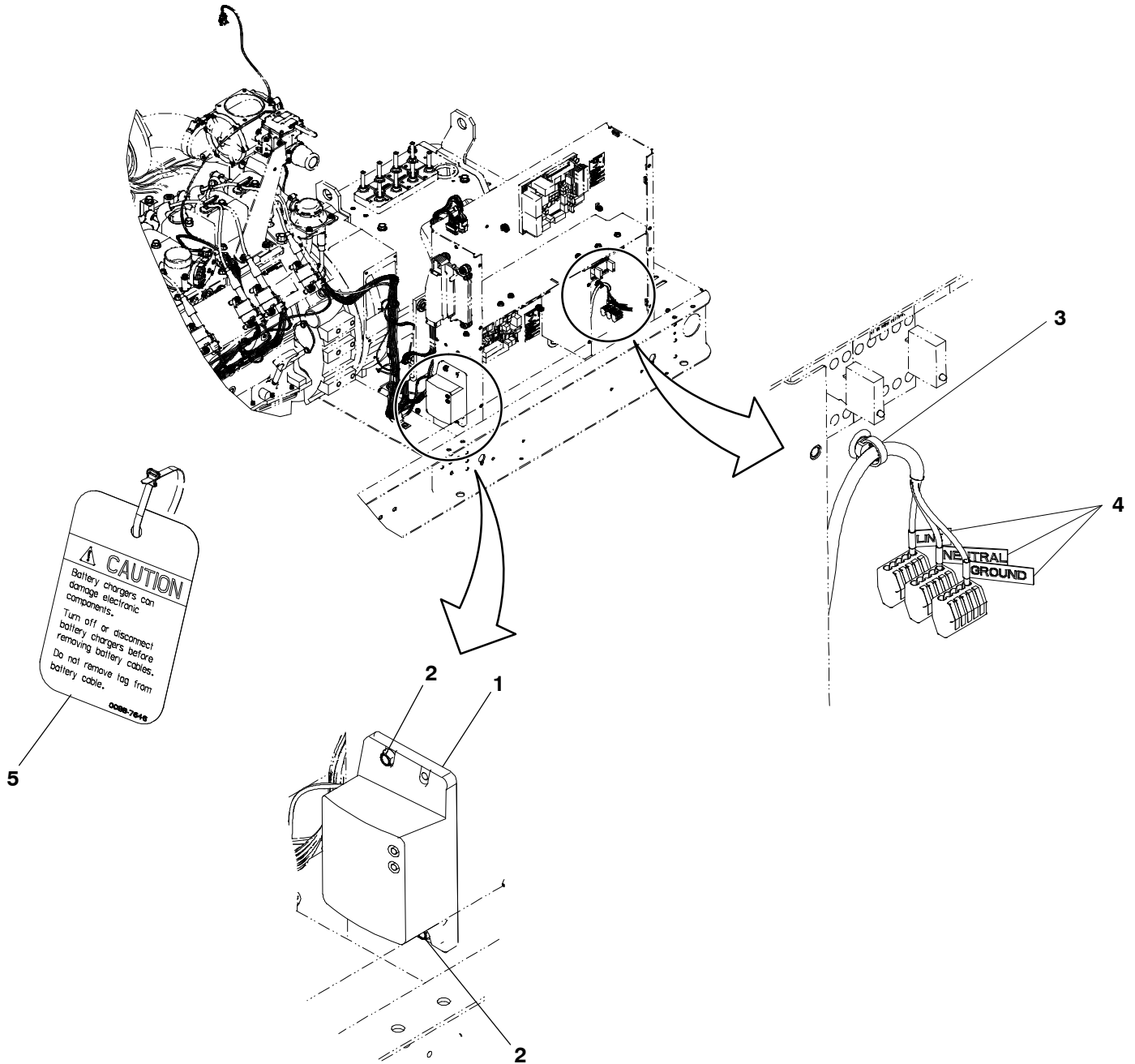
Item	Part No.	Description	Qty
1	A048Z405	Tray, Battery	1
2	A044G477	Strap, Battery	1
3	0815-0781	Screw, Hollow Head	5

Battery Tray (Large)



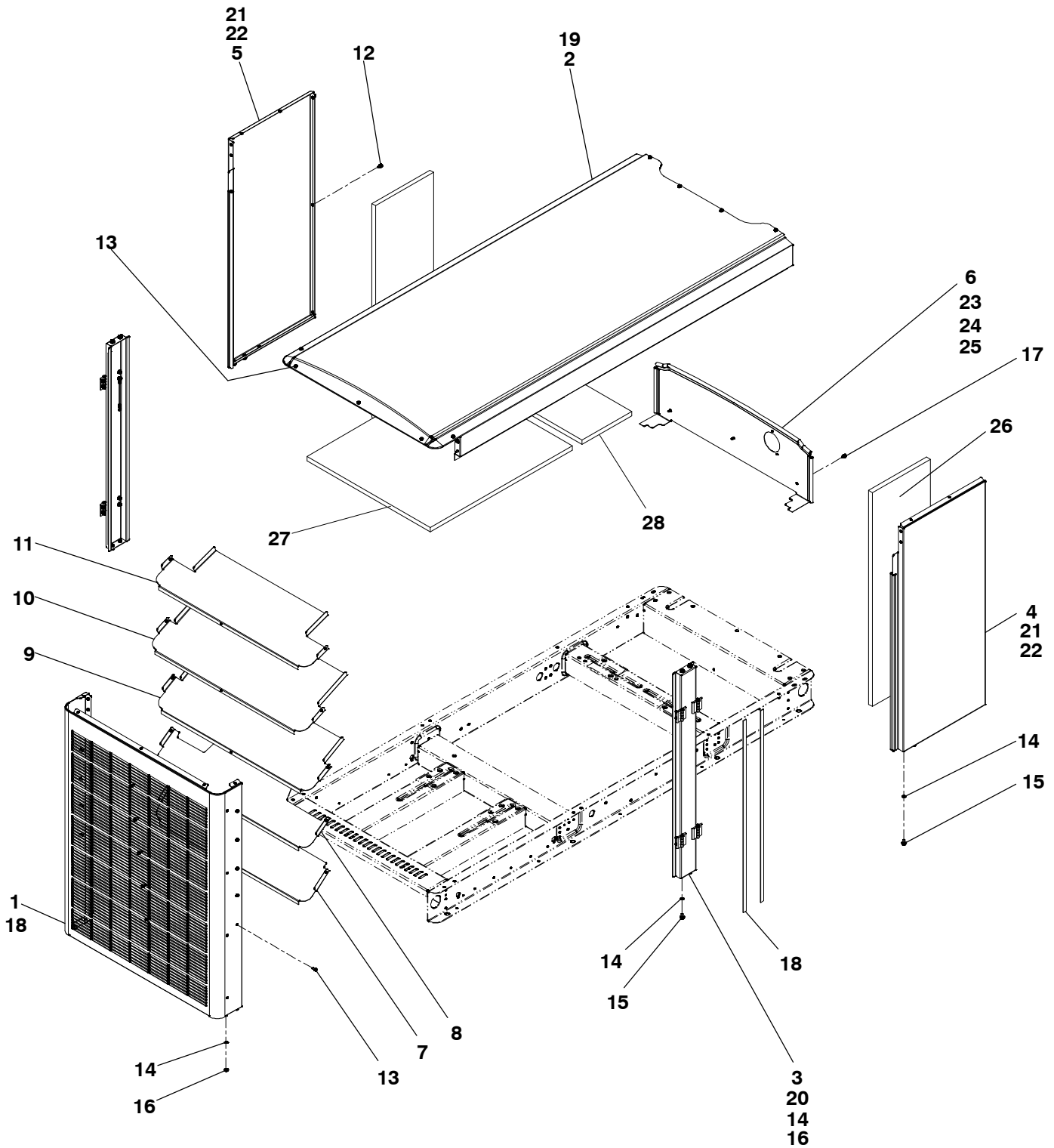
Item	Part No.	Description	Qty
1	A048P804	Tray, Battery	1
2	A044G477	Strap, Battery	1
3	0815-0781	Screw, Hollow Head	6
4	A044D694	Tie, Cable	1

Battery Charger



Item	Part No.	Description	Qty
1	A043B984	Charger, Battery (6 Amp)	1
2	0800-6399	Screw, Hex Head	2
3	A044D694	Tie, Cable	1
4	A046G477	Label, Marking	1
5	0098-7646	Tag, Battery	1

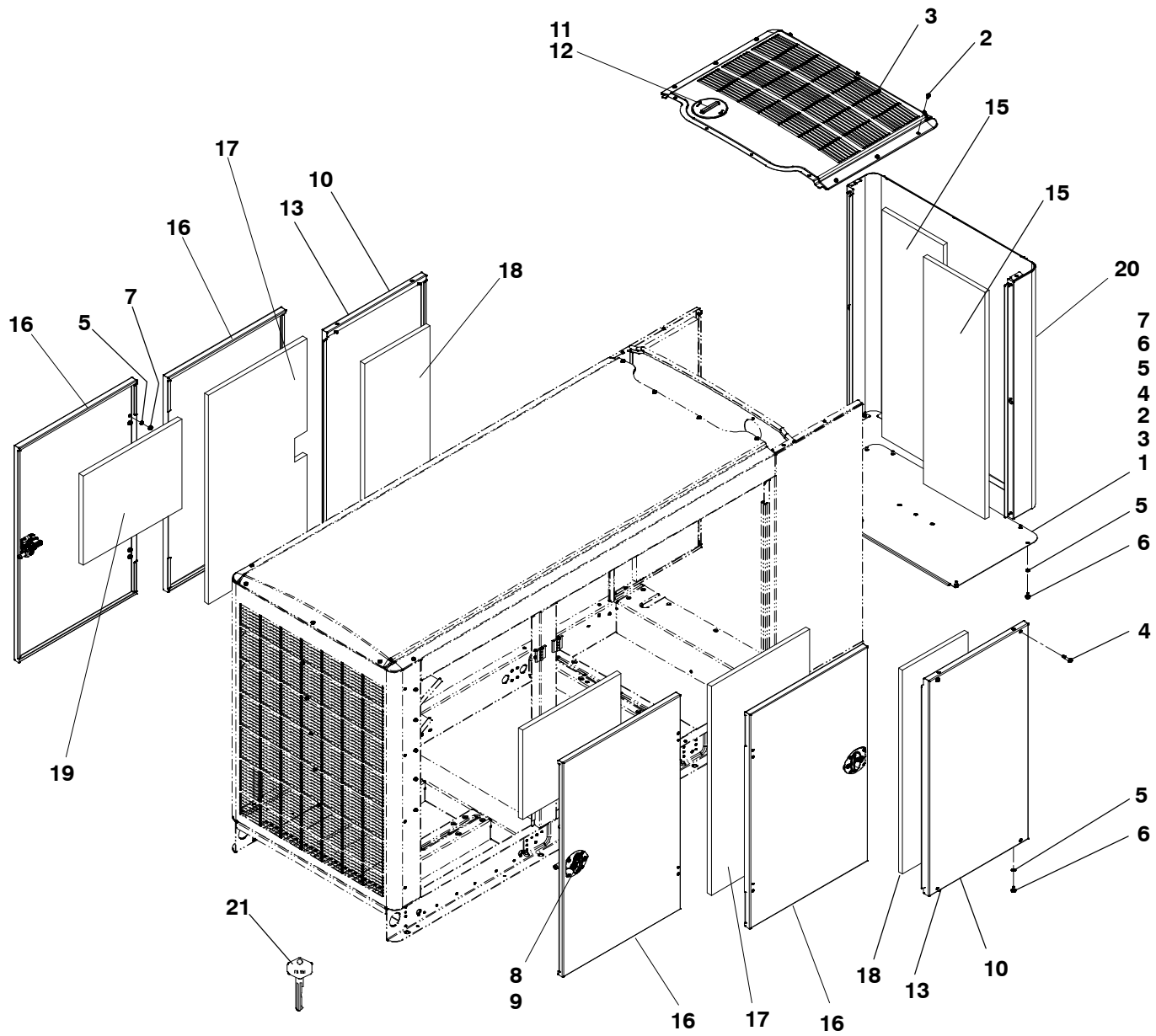
Enclosure Green (F217) (Illustration #1)



Enclosure – Green (F217) (Illustration #1)

Item	Part No.	Description	Qty
1	A054P436	Cover, Air Inlet	1
2	A052M814	Roof, Enclosure	1
3	A052M797	Post, Enclosure	2
4	A052M820	Panel, Enclosure	1
5	A052M822	Panel, Enclosure	1
6	A052K469	Panel, Bulkhead	1
7	A048M825	Louver, Enclosure	1
8	A048M837	Louver, Enclosure	1
9	A048M830	Louver, Enclosure	1
10	A048M843	Louver, Enclosure	1
11	A048M847	Louver, Enclosure	1
12	A046T081	Screw, Shoulder	2
13	A050P483	Screw, Hex Flange Head	28
14	0853–2008	Washer, Lock	A/R
15	0821–6003–01	Screw, Hex Head	12
16	0870–2065–03	Nut, Hex Flange	A/R
17	A045Z943	Screw, Hex Flange Head	3
18	A049H454	Gasket, Door	A/R
19	A049H452	Gasket, Door	4
20	A048C271	Hinge, Door	4
21	A048V153	Seal, Edge	A/R
22	0895–0381	Seal, Weather	A/R
23	A049H572	Seal, Edge	A/R
24	0508–0330	Seal, Edge	A/R
25	A050R766	Seal, Edge	A/R
26	A048M651	Insulation, Panel	2
27	A047Z339	Insulation, Panel	1
28	A048K751	Insulation, Panel	1

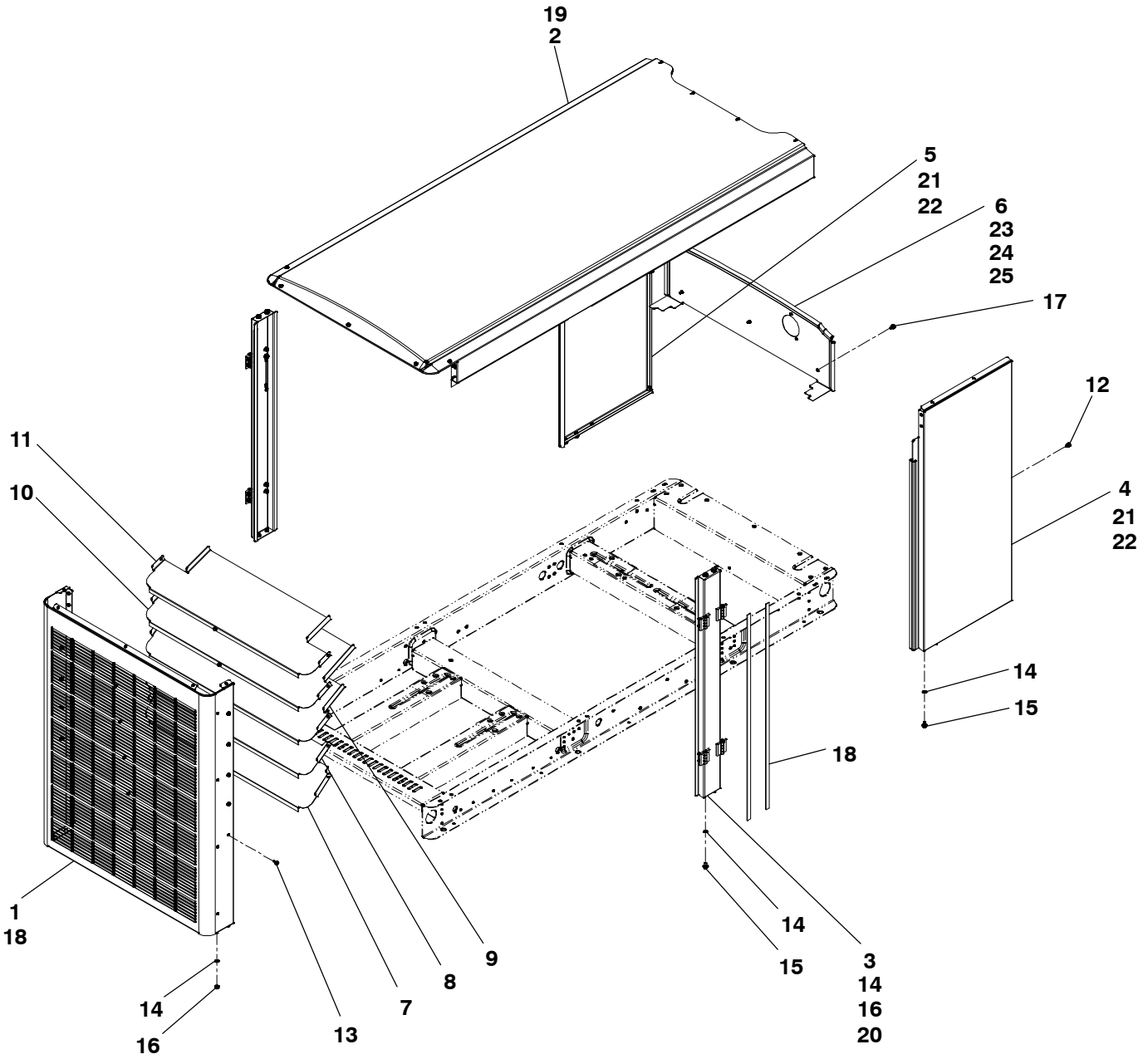
Enclosure – Green (F217) (Illustration #2)



Enclosure – Green (F217) (Illustration #2)

Item	Part No.	Description	Qty
1	A047Z735	Panel, Enclosure	1
2	A050P483	Screw, Hex Flange Head	A/R
3	0332-1794	Tie, Cable	A/R
4	A050P481	Screw, Hex Flange Head	A/R
5	0853-2008	Washer, Lock	A/R
6	0821-6003-01	Screw, Hex Head	A/R
7	0870-2065-03	Nut, Hex Flange	A/R
8	A050U243	Latch	4
9	0818-0231	Rivet, Pop	16
10	A049H454	Gasket, Door	1
11	A045M805	Cap, Fill	1
12	A044L228	Washer, Lock	1
13	A052M805	Panel, Enclosure	2
14	A052M816	Roof, Enclosure	1
15	A048M651	Panel, Insulation	2
16	A052M787	Panel, Enclosure	4
17	A047Z325	Insulation, Panel	2
18	A048M385	Insulation, Panel	2
19	A047Z323	Insulation, Panel	2
20	A052K387	Cover, Air Outlet	1
21	0406-0782	Key	A/R

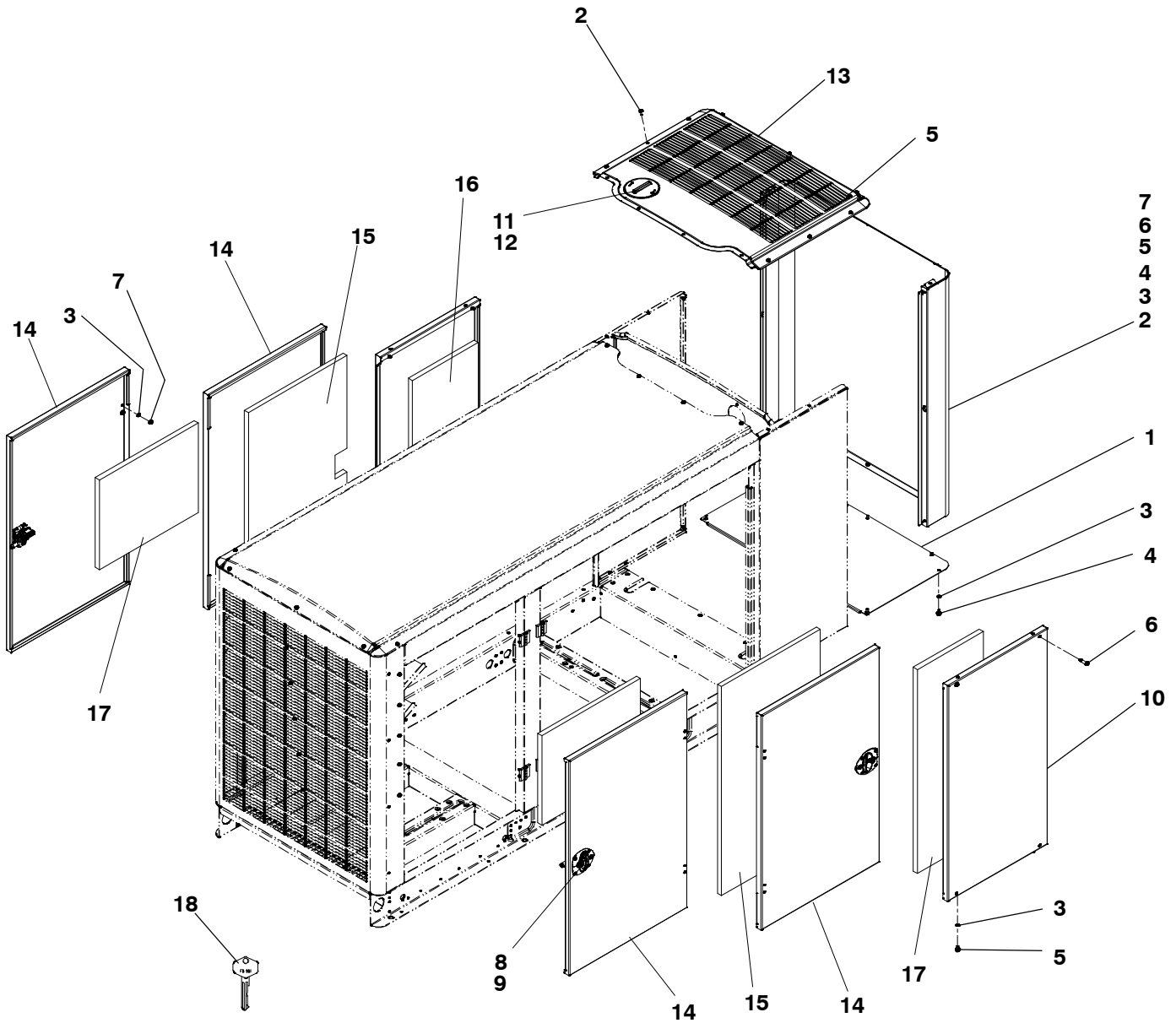
Enclosure – Green (F231) (Illustration #1)



Enclosure – Green (F231) (Illustration #1)

Item	Part No.	Description	Qty
1	A054P436	Cover, Air Inlet	1
2	A052M814	Roof, Enclosure	1
3	A052M797	Post, Enclosure	2
4	A052M820	Panel, Enclosure	1
5	A052M822	Panel, Enclosure	1
6	A052K469	Panel, Bulkhead	1
7	A048M825	Louver, Enclosure	1
8	A048M837	Louver, Enclosure	1
9	A048M830	Louver, Enclosure	1
10	A048M843	Louver, Enclosure	1
11	A048M847	Louver, Enclosure	1
12	A046T081	Screw, Shoulder	2
13	A050P483	Screw, Hex Flange Head	28
14	0853–2008	Washer, Lock	A/R
15	0821–6003–01	Screw, Hex Head	12
16	0870–2065–03	Nut, Hex Flange	A/R
17	A045Z943	Screw, Hex Flange Head	3
18	A049H454	Gasket, Door	A/R
19	A049H452	Gasket, Door	A/R
20	A048C271	Hinge, Door	4
21	A048V153	Seal, Edge	A/R
22	0895–0381	Seal, Weather	A/R
23	A049H572	Seal, Edge	A/R
24	0508–0330	Seal, Edge	A/R
25	A050R766	Seal, Edge	A/R

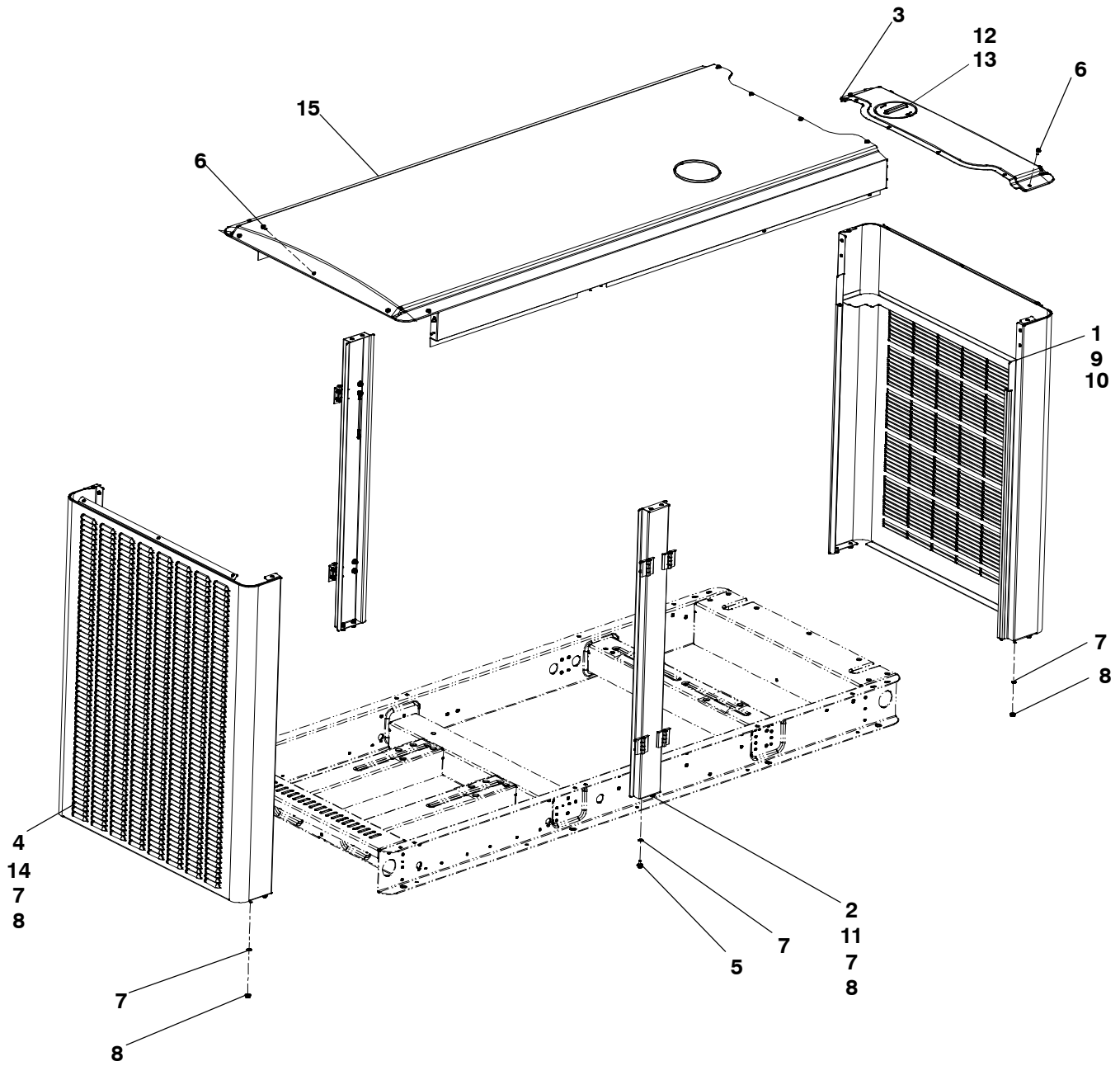
Enclosure – Green (F231) (Illustration #2)



Enclosure – Green (F231) (Illustration #2)

Item	Part No.	Description	Qty
1	A047Z735	Panel, Enclosure	1
2	A050P483	Screw, Hex Flange Head	A/R
3	0853–2008	Washer, Lock	A/R
4	0821–6003–01	Screw, Hex Head	A/R
5	0332–1794	Tie, Cable	A/R
6	A050P481	Screw, Hex Flange Head	A/R
7	0870–2065–03	Nut, Hex Flange	A/R
8	A052K217	Latch	A/R
9	A052K217	Rivet, Pop	A/R
10	A049H454	Gasket, Door	A/R
11	A045M805	Cap, Fill	A/R
12	A044L228	Washer, Lock	A/R
13	A052M816	Roof, Enclosure	1
14	A052M787	Panel, Enclosure	4
15	A047Z325	Insulation, Panel	2
16	A048M385	Insulation, Panel	2
17	A047Z323	Insulation, Panel	2
18	0406–0782	Key	A/R

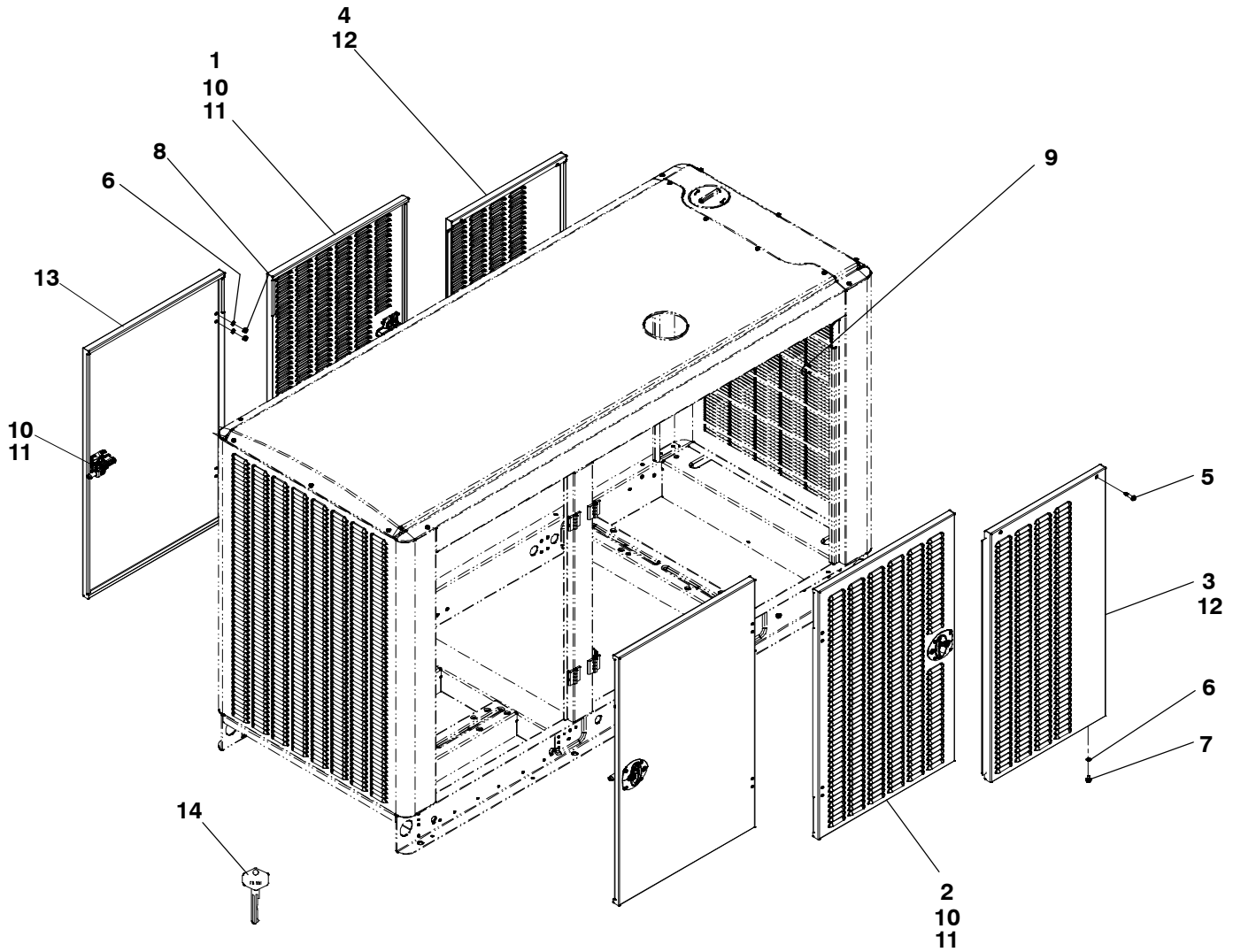
Enclosure – Green (F216) (Illustration #1)



Enclosure – Green (F216) (Illustration #1)

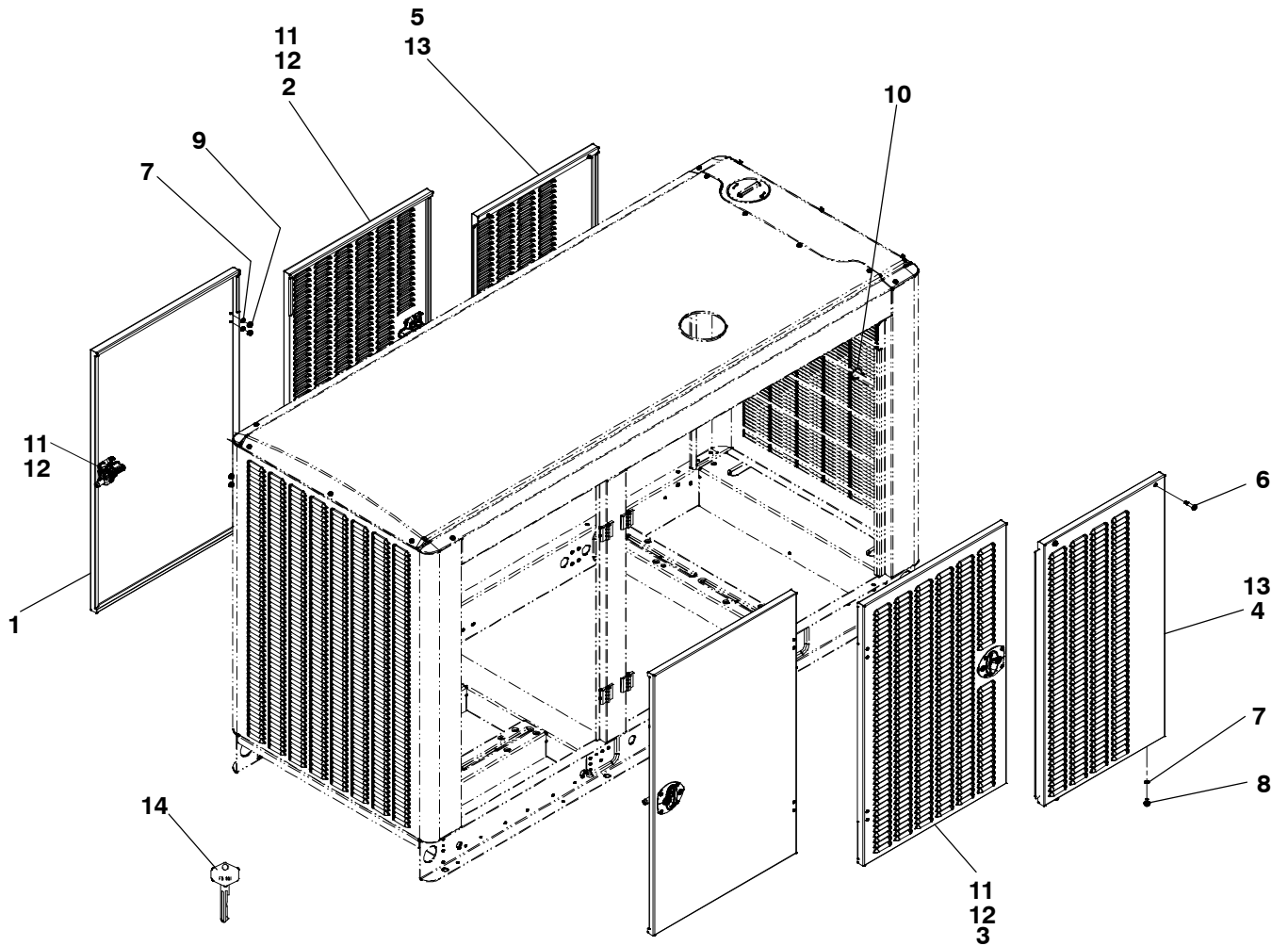
Item	Part No.	Description	Qty
1	A054P453	Cover, Air Outlet	1
2	A052M797	Post, Enclosure	2
3	A052M818	Roof, Enclosure	1
4	A054P427	Cover, Air Inlet	1
5	0821–6003–01	Screw, Hex Head	8
6	A050P483	Screw, Hex Flange Head	22
7	0853–2008	Washer, Lock	A/R
8	0870–2065–03	Nut, Hex Flange	A/R
9	A048V153	Seal, Edge	A/R
10	0895–0381	Seal, Weather	A/R
11	A048C271	Hinge, Door	4
12	A045M805	Cap, Fill	1
13	A044L228	Washer, Lock	1
14	A049H454	Gasket, Door	A/R
15	A052K343	Roof, Enclosure	1

Enclosure – Green (F216) (Illustration #2)



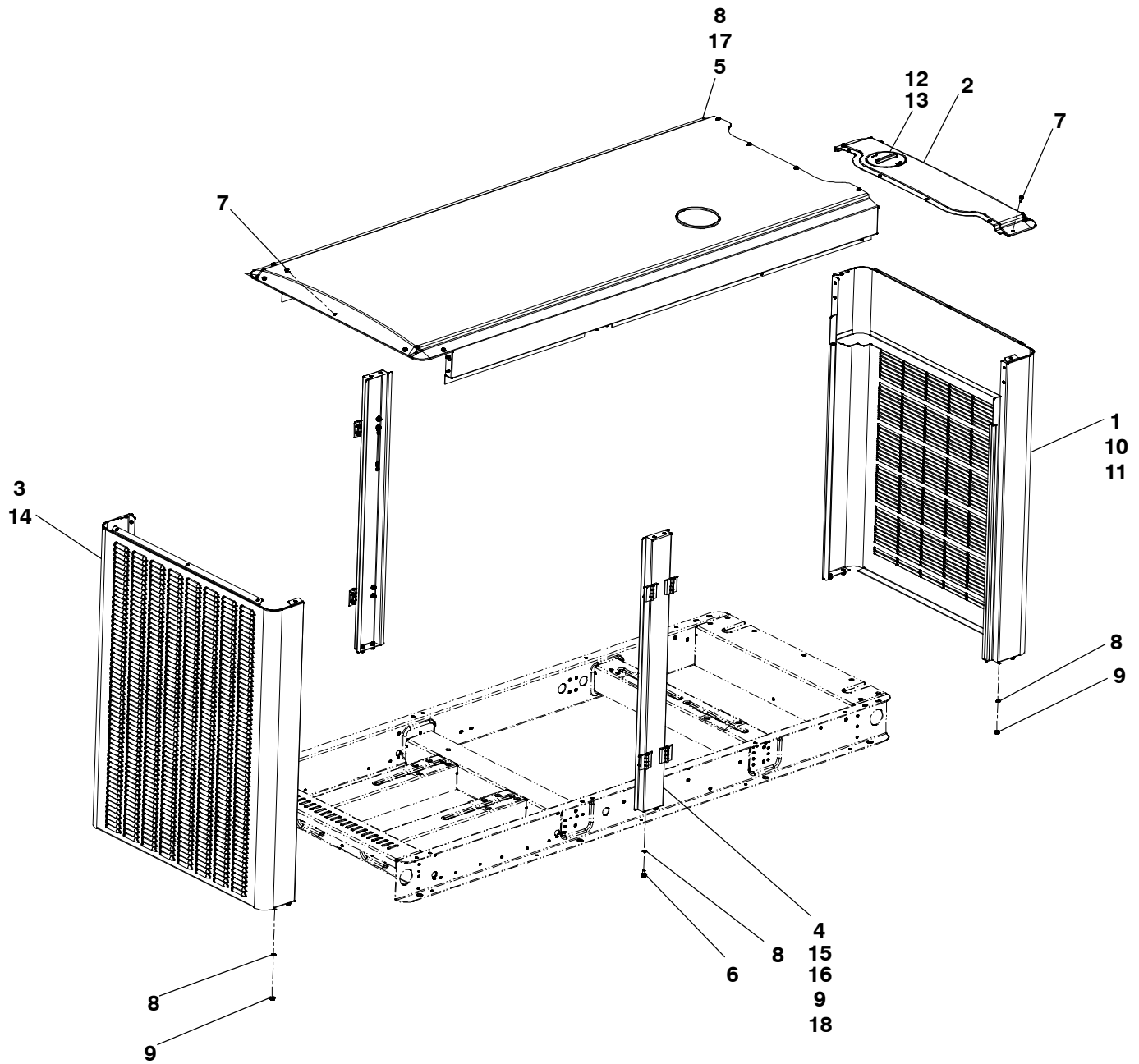
Item	Part No.	Description	Qty
1	A052M789	Panel, Enclosure	1
2	A052M791	Panel, Enclosure	1
3	A052M801	Panel, Enclosure	1
4	A052M803	Panel, Enclosure	1
5	A050P481	Screw, Hex Flange Head	4
6	0853-2008	Washer, Lock	20
7	0821-6003-01	Screw, Hex Head	4
8	0870-2065-03	Nut, Hex Flange	16
9	0332-1794	Tie, Cable	1
10	A052K217	Latch	A/R
11	A052K217	Rivet, Pop	A/R
12	A049H454	Gasket, Door	A/R
13	A052M787	Panel, Enclosure	2
14	0406-0782	Key	A/R

Enclosure – Sandstone (F216) (Illustration #1)



Item	Part No.	Description	Qty
1	A052K217	Panel, Enclosure	2
2	A052K232	Panel, Enclosure	1
3	A052K234	Panel, Enclosure	1
4	A052K264	Panel, Enclosure	1
5	A052K274	Panel, Enclosure	1
6	A050P481	Screw, Hex Flange Head	4
7	0853-2008	Washer, Lock	20
8	0821-6003-01	Screw, Hex Head	4
9	0870-2065-03	Nut, Hex Flange	16
10	0332-1794	Tie, Cable	1
11	A052K217	Latch	A/R
12	A052K217	Rivet, Pop	A/R
13	A049H454	Gasket, Door	A/R
14	0406-0782	Key	A/R

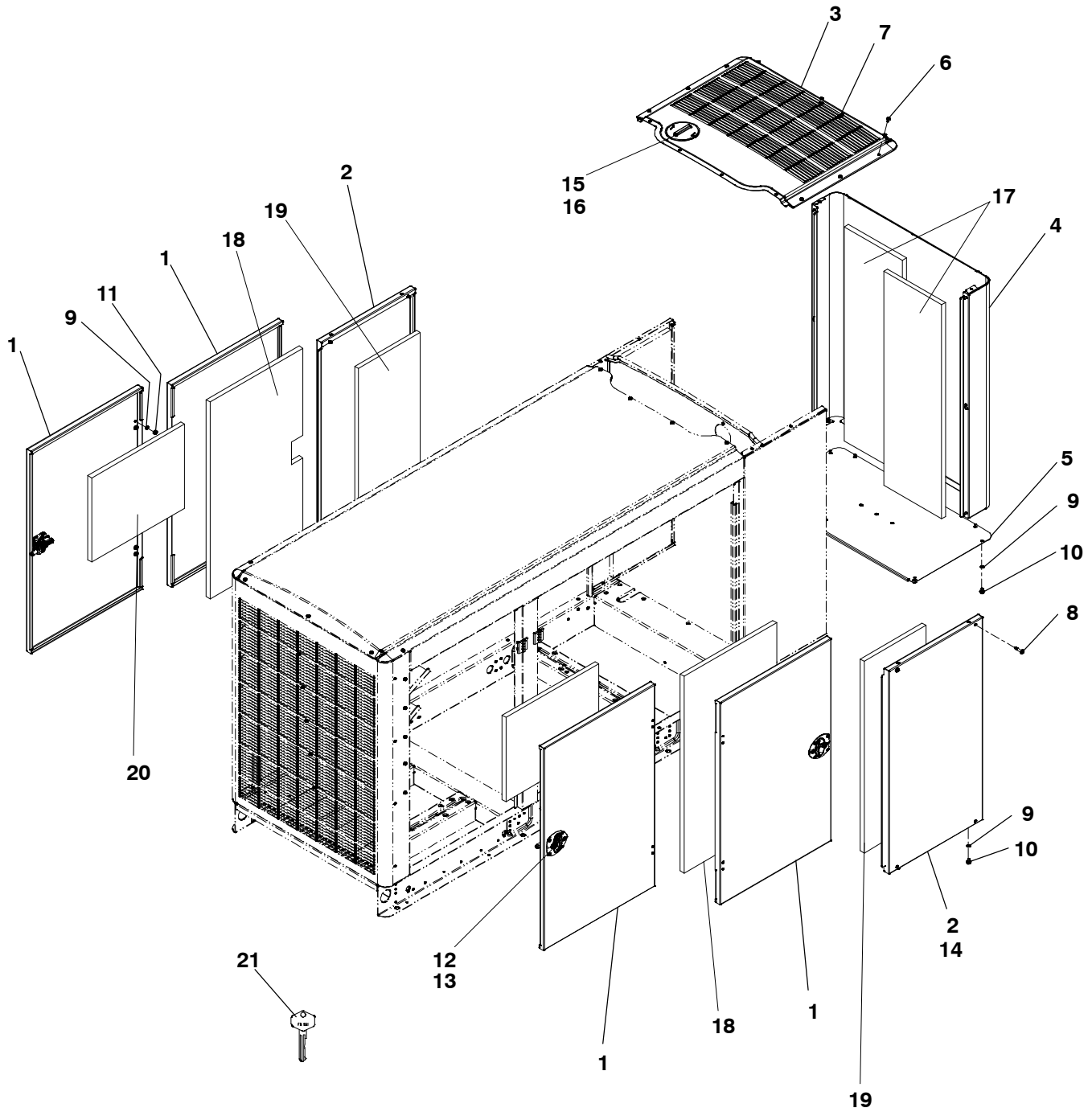
Enclosure – Sandstone (F216) (Illustration #2)



Enclosure – Sandstone (F216) (Illustration #2)

Item	Part No.	Description	Qty
1	A054P446	Cover, Air Outlet	1
2	A052K453	Roof, Enclosure	1
3	A054P414	Cover, Air Inlet	1
4	A052K260	Post, Enclosure	2
5	A048S388	Roof, Enclosure	1
6	0821–6003–01	Screw, Hex Head	8
7	A050P483	Screw, Hex Flange Head	22
8	0853–2008	Washer, Lock	A/R
9	0870–2065–03	Nut, Hex Flange	A/R
10	A048V153	Seal, Edge	2
11	0895–0381	Seal, Weather	A/R
12	A043J739	Cap, Fill	1
13	A044L228	Washer, Lock	1
14	A049H454	Gasket, Door	2
15	A048C271	Hinge, Door	4
16	0853–2008	Washer, Lock	8
17	0870–0485–13	Nut, Self Clinching	4
18	A052L440	Lead	1

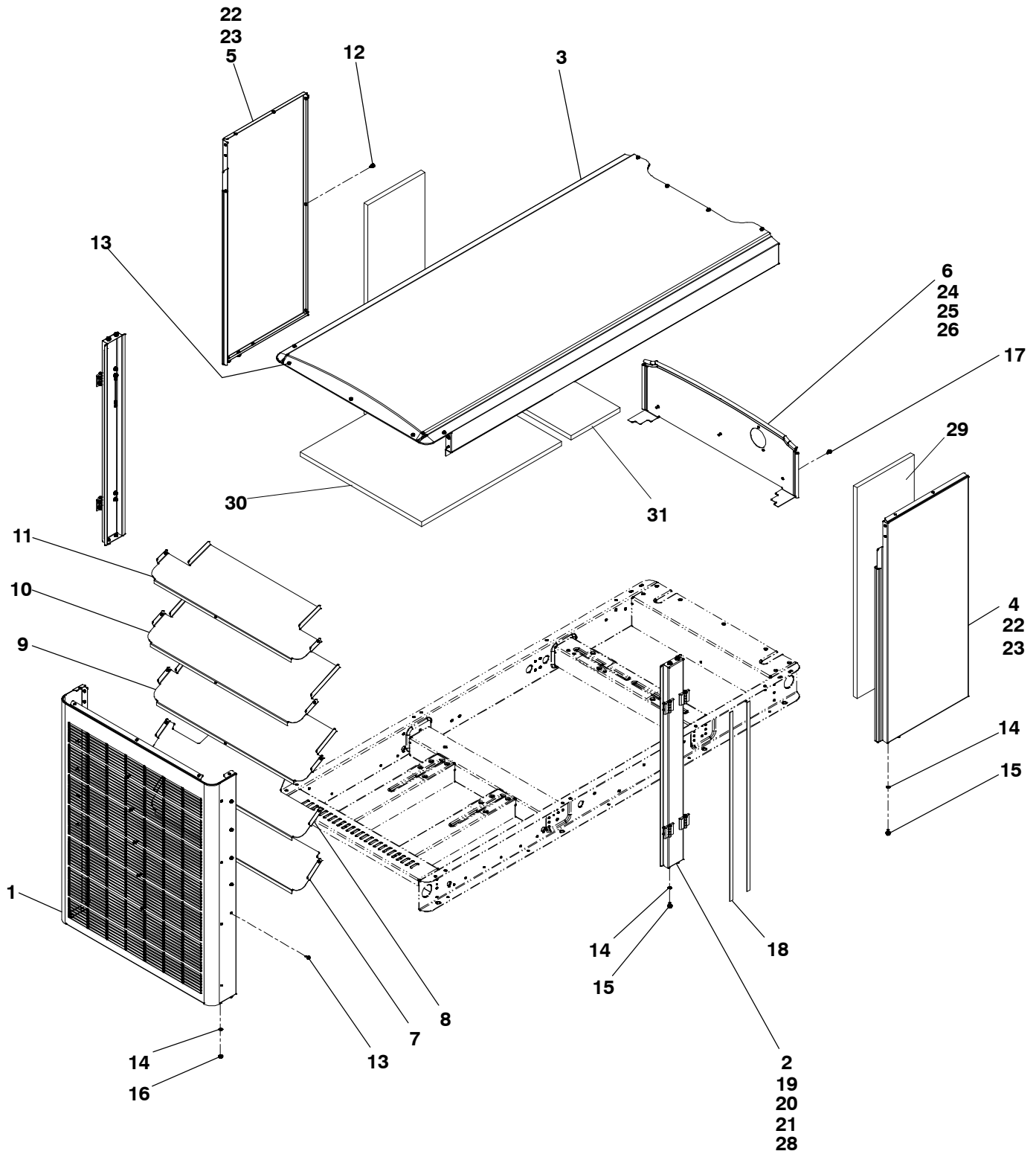
Enclosure – Sandstone (F217) (Illustration #1)



Enclosure – Sandstone (F217) (Illustration #1)

Item	Part No.	Description	Qty
1	A052K217	Panel, Enclosure	4
2	A052K276	Panel, Enclosure	2
3	A052K450	Roof, Enclosure	1
4	A048M458	Cover, Air Outlet	1
5	A047Z735	Panel, Enclosure	1
6	A050P483	Screw, Hex Flange Head	17
7	0332-1794	Tie, Cable	1
8	A050P481	Screw, Hex Flange Head	4
9	0853-2008	Washer, Lock	27
10	0821-6003-01	Screw, Hex Head	11
11	0870-2065-03	Nut, Hex Flange	16
12	A052K217	Latch	A/R
13	A052K217	Rivet, Pop	A/R
14	A049H454	Gasket, Door	A/R
15	A043J739	Cap, Fill	A/R
16	A044L228	Washer, Lock	A/R
17	A048M651	Insulation, Panel	2
18	A047Z325	Insulation, Panel	2
19	A048M385	Insulation, Panel	2
20	A047Z323	Insulation, Panel	2
21	0406-0782	Key	A/R

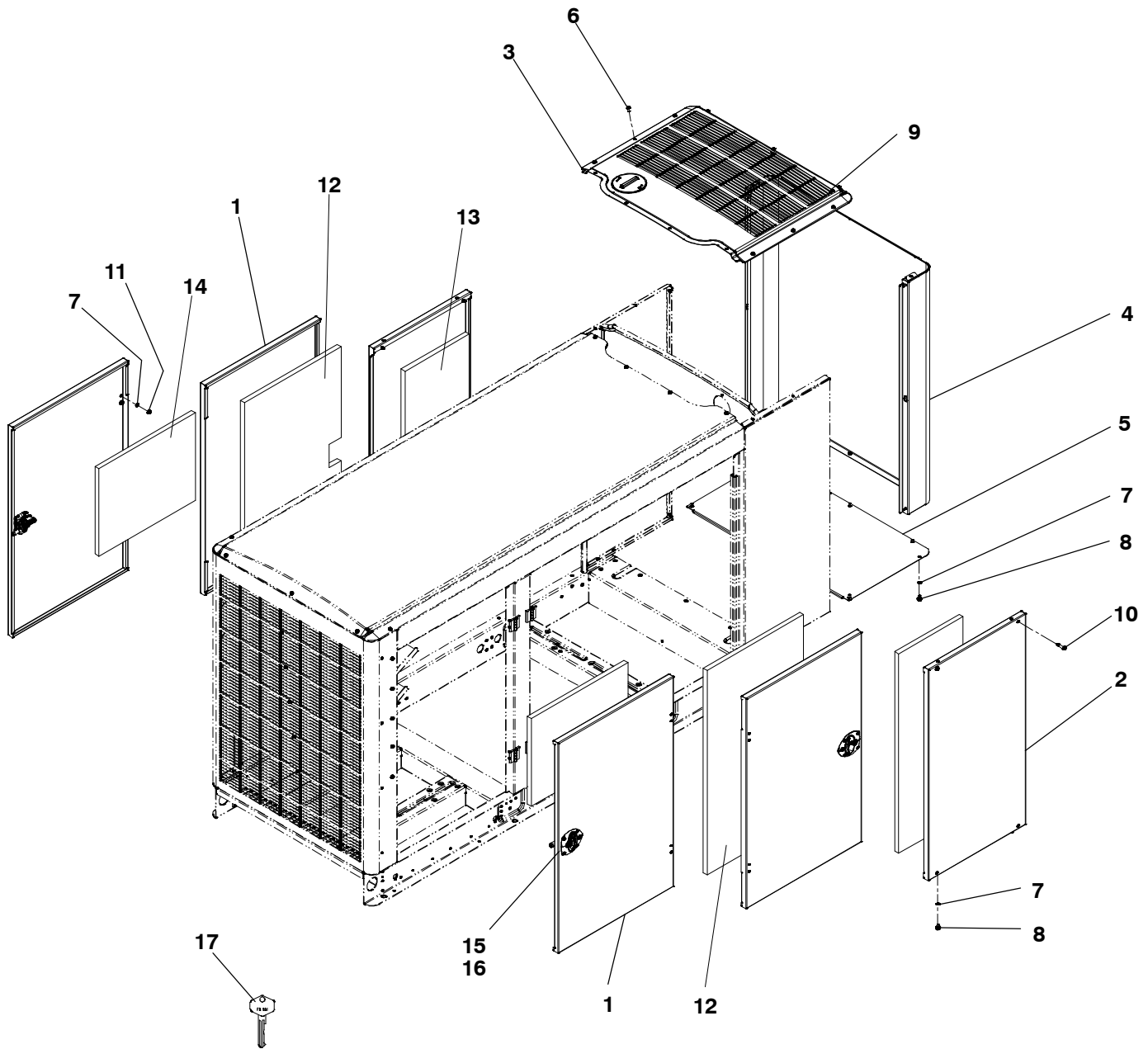
Enclosure – Sandstone (F217) (Illustration #2)



Enclosure – Sandstone (F217) (Illustration #2)

Item	Part No.	Description	Qty
1	A054P419	Cover, Air Inlet	1
2	A052K260	Post, Enclosure	2
3	A052K447	Roof, Enclosure	1
4	A052K463	Panel, Enclosure	1
5	A052K467	Panel, Enclosure	1
6	A052K469	Panel, Bulkhead	1
7	A048M825	Louver, Enclosure	1
8	A048M837	Louver, Enclosure	1
9	A048M830	Louver, Enclosure	1
10	A048M843	Louver, Enclosure	1
11	A048M847	Louver, Enclosure	1
12	A046T081	Screw, Shoulder	2
13	A050P483	Screw, Hex Flange Head	28
14	0853–2008	Washer, Lock	16
15	0821–6003–01	Screw, Hex Head	12
16	0870–2065–03	Nut, Hex Flange	4
17	A045Z943	Screw, Hex Flange Head	3
18	A049H454	Gasket, Door	4
19	A048C271	Hinge, Door	4
20	0853–2008	Wassher, Lock – W/ET	8
21	0870–2065–03	Nut, Hex Flange	8
22	A048V153	Seal, Edge	A/R
23	0895–0381	Seal, Weather	A/R
24	A049H572	Seal, Edge	A/R
25	0508–0330	Seal, Edge	A/R
26	A050R766	Seal, Edge	A/R
27	A049H452	Gasket, Door (Not Shown)	A/R
28	A052L440	Lead	1
29	A048M651	Insulation, Panel	2
30	A047Z339	Insulation, Panel	1
31	A048K751	Insulation, Panel	1

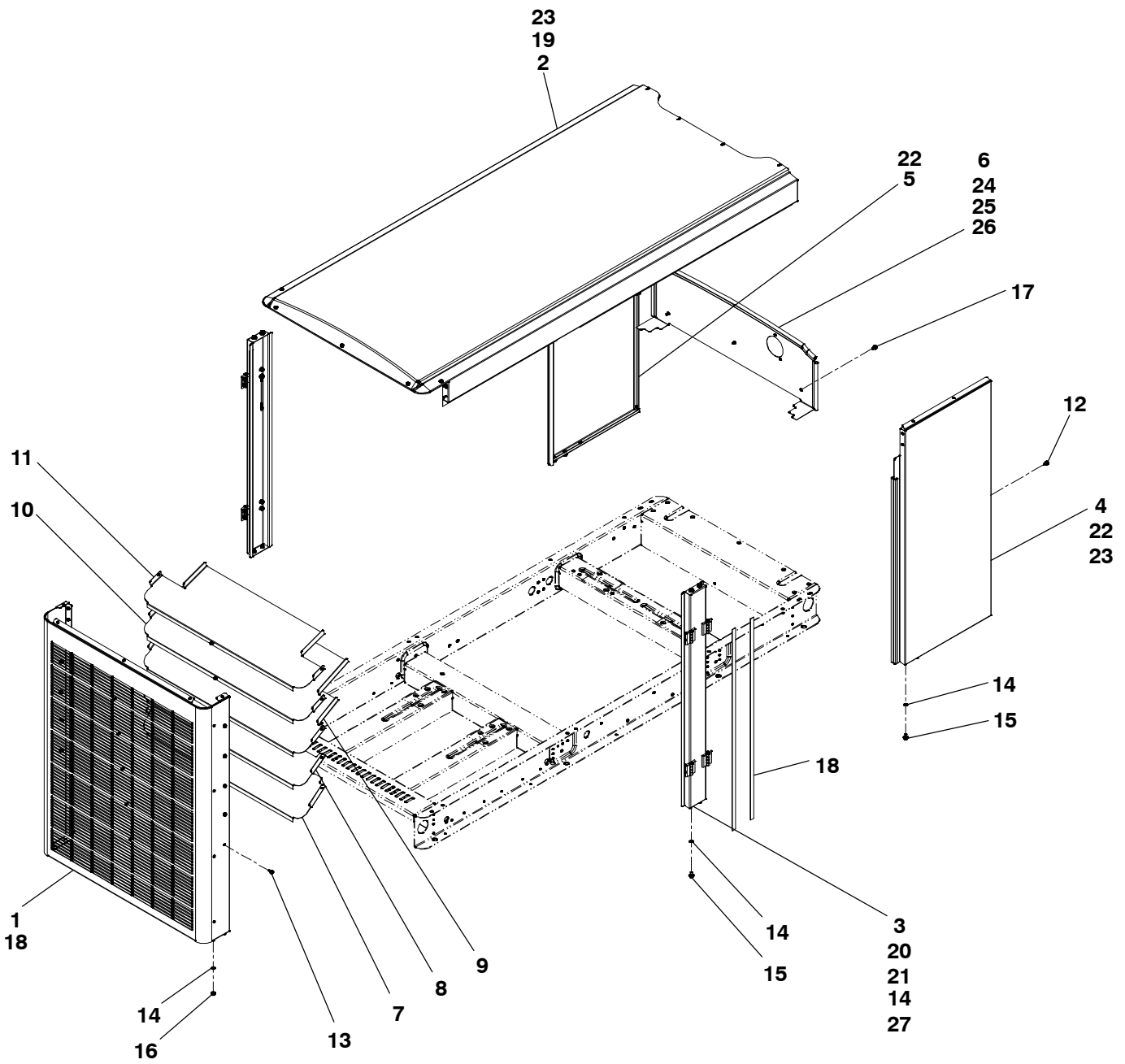
Enclosure – Sandstone (F231) (Illustration #1)



Enclosure – Sandstone (F231) (Illustration #1)

Item	Part No.	Description	Qty
1	A052K217	Panel, Enclosure	4
2	A052K276	Panel, Enclosure	2
3	A052K450	Roof, Enclosure	1
4	A048M458	Cover, Air Outlet	1
5	A060D569	Panel, Enclosure	1
6	A050P483	Screw, Hex Flange Head	17
7	0853–2008	Washer, Lock	27
8	0821–6003–01	Screw, Hex Head	11
9	0332–1794	Tie, Cable	1
10	A050P481	Screw, Hex Flange Head	4
11	0870–2065–03	Nut, Hex Flange	16
12	A047Z325	Insulation, Panel	2
13	A048M385	Insulation, Panel	2
14	A047Z323	Insulation, Panel	2
15	A050U243	Latch	A/R
16	0818–0231–02	Rivet, Pop	A/R
17	0406–0782	Key	A/R

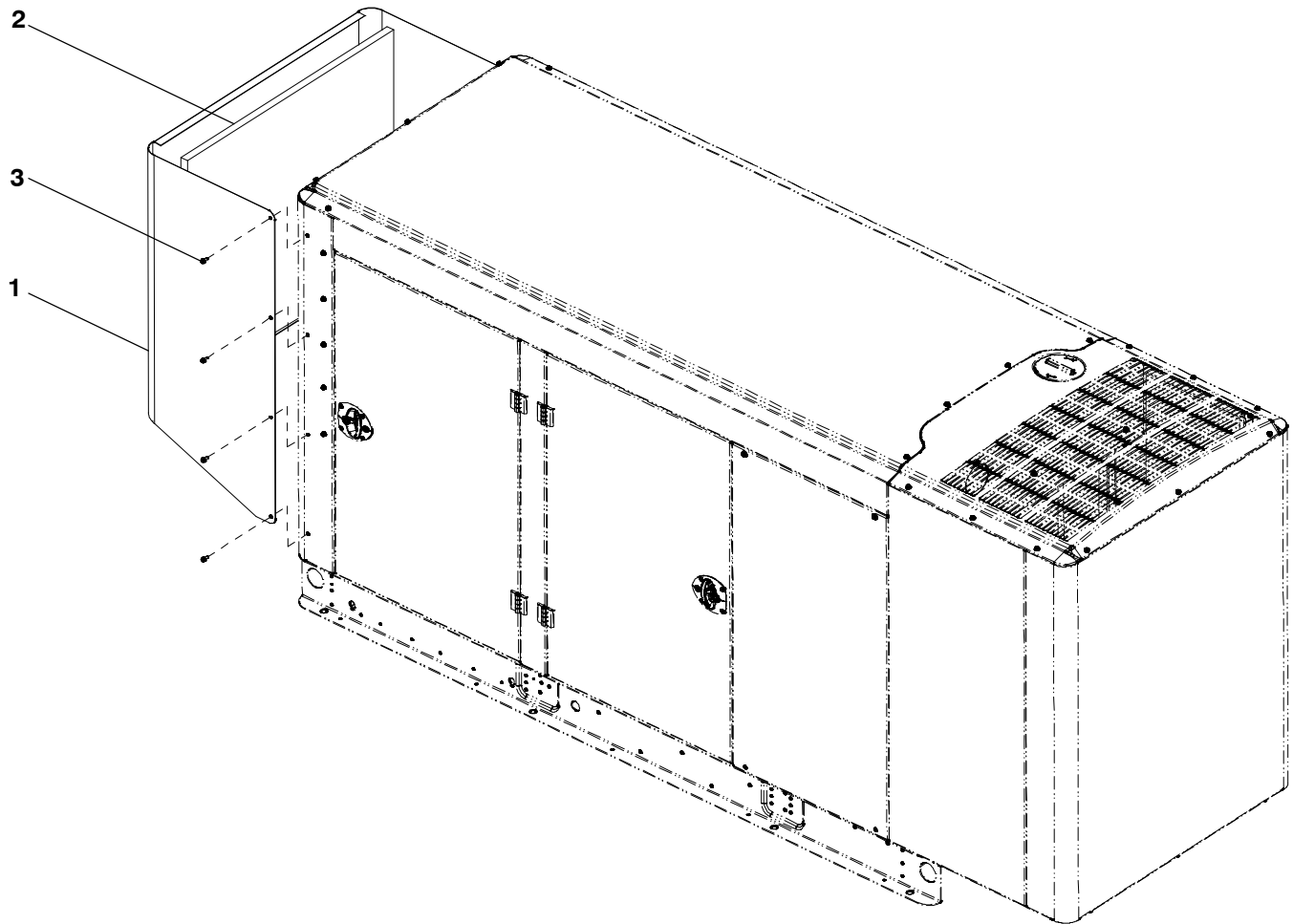
Enclosure – Sandstone (F231) (Illustration #2)



Enclosure – Sandstone (F231) (Illustration #2)

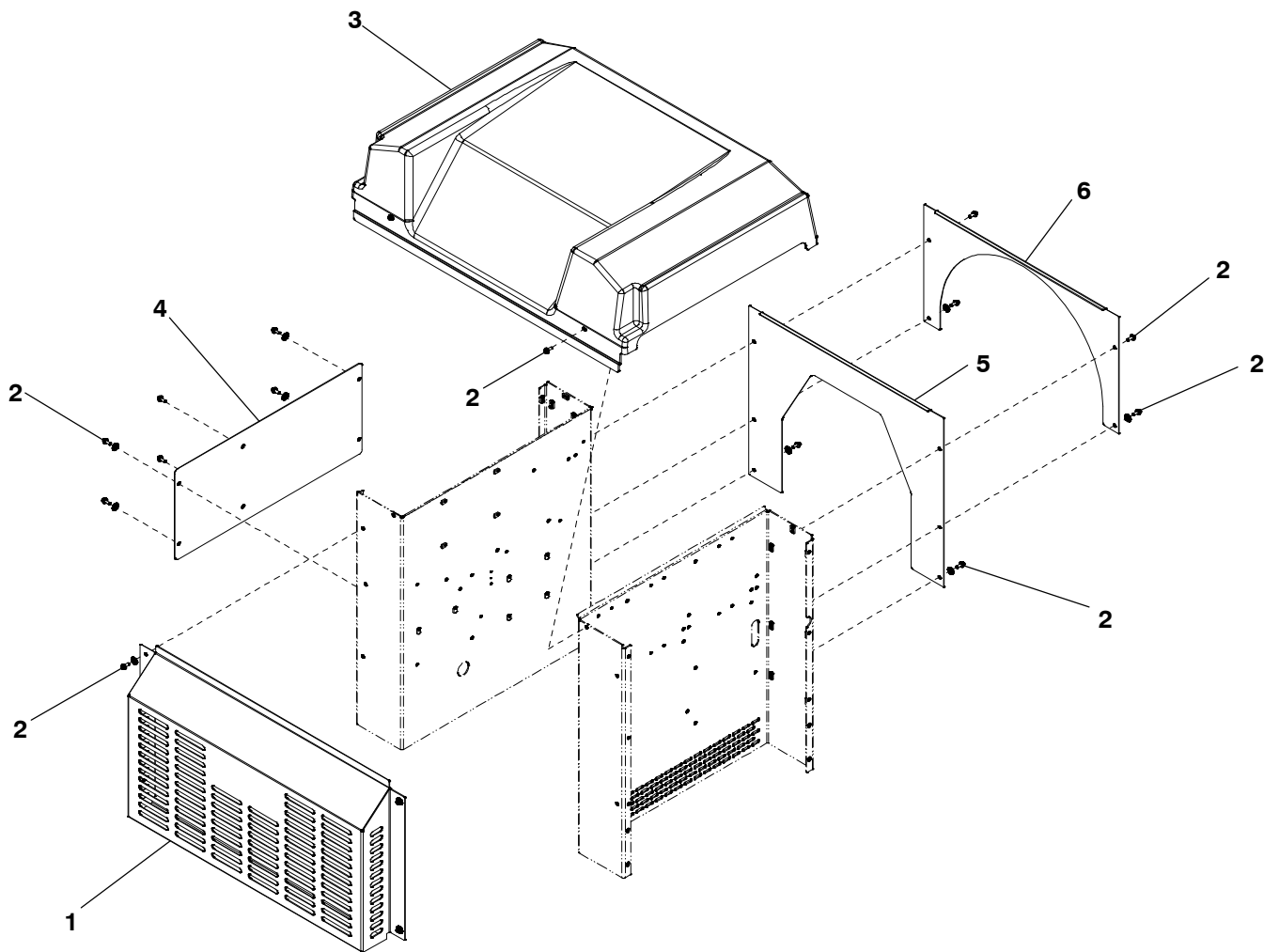
Item	Part No.	Description	Qty
1	A054P419	Cover, Air Inlet	1
2	A052K447	Roof, Enclosure	1
3	A052K260	Post, Enclosure	2
4	A052K463	Panel, Enclosure	1
5	A052K467	Panel, Enclosure	1
6	A052K469	Panel, Bulkhead	1
7	A048M825	Louver, Enclosure	1
8	A048M837	Louver, Enclosure	1
9	A048M830	Louver, Enclosure	1
10	A048M843	Louver, Enclosure	1
11	A048M847	Louver, Enclosure	1
12	A046T081	Screw, Shoulder	2
13	A050P483	Screw, Hex Flange Head	28
14	0853–2008	Washer, Lock	A/R
15	0821–6003–01	Screw, Hex Head	12
16	0870–2065–03	Nut, Hex Flange	4
17	A045Z943	Screw, Hex Flange Head	3
18	A049H454	Gasket, Door	4
19	A049H452	Gasket, Door	4
20	A048C271	Hinge, Door	4
21	0870–2065–03	Nut, Hex Flange	8
22	A048V153	Seal, Edge	A/R
23	0895–0381	Seal, Weather	A/R
24	A049H572	Seal, Edge	A/R
25	0508–0330	Seal, Edge	A/R
26	A050R766	Seal, Edge	A/R
27	A052L440	Lead	1

Enclosure – Inlet Duct (Shipped Loose)



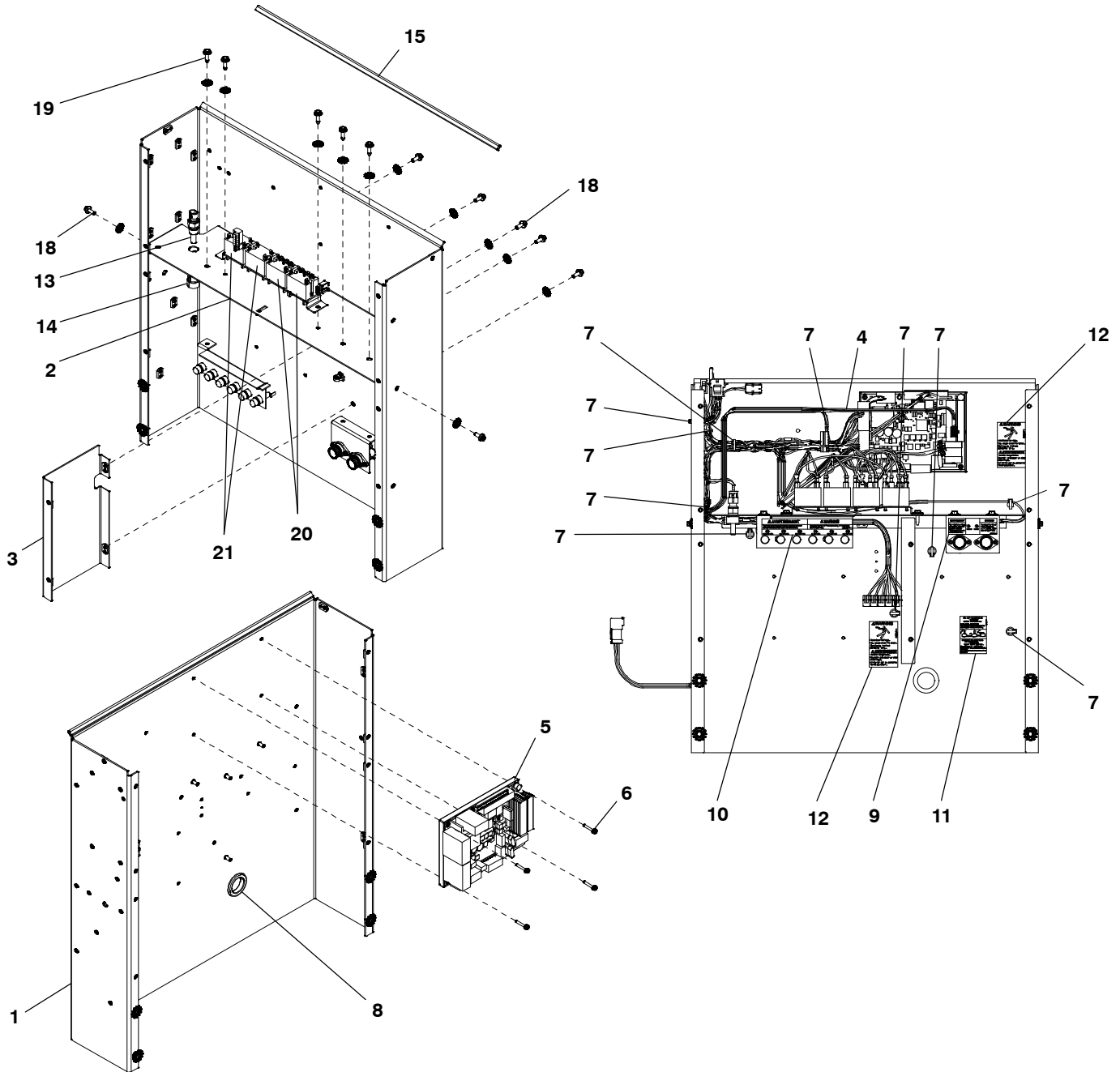
Item	Part No.	Description	Qty
1		Duct, Inlet	
	A048C269	Sandstone	1
	A052K399	Green	1
2	A047Z339	Insulation, Panel	1
3	A050P483	Screw, Hex Flange Head	8

Connection Box



Item	Part No.	Description	Qty
1	A051C812	Guard, Alternator	1
2	0815-0857-02	Screw, Hex Head	A/R
3	A051C650	Cover, Terminal Enclosure	1
4	A048P759	Panel, Control Box	1
5	A051A292	Panel, Guard	1
6	A051A290	Panel, Guard	1

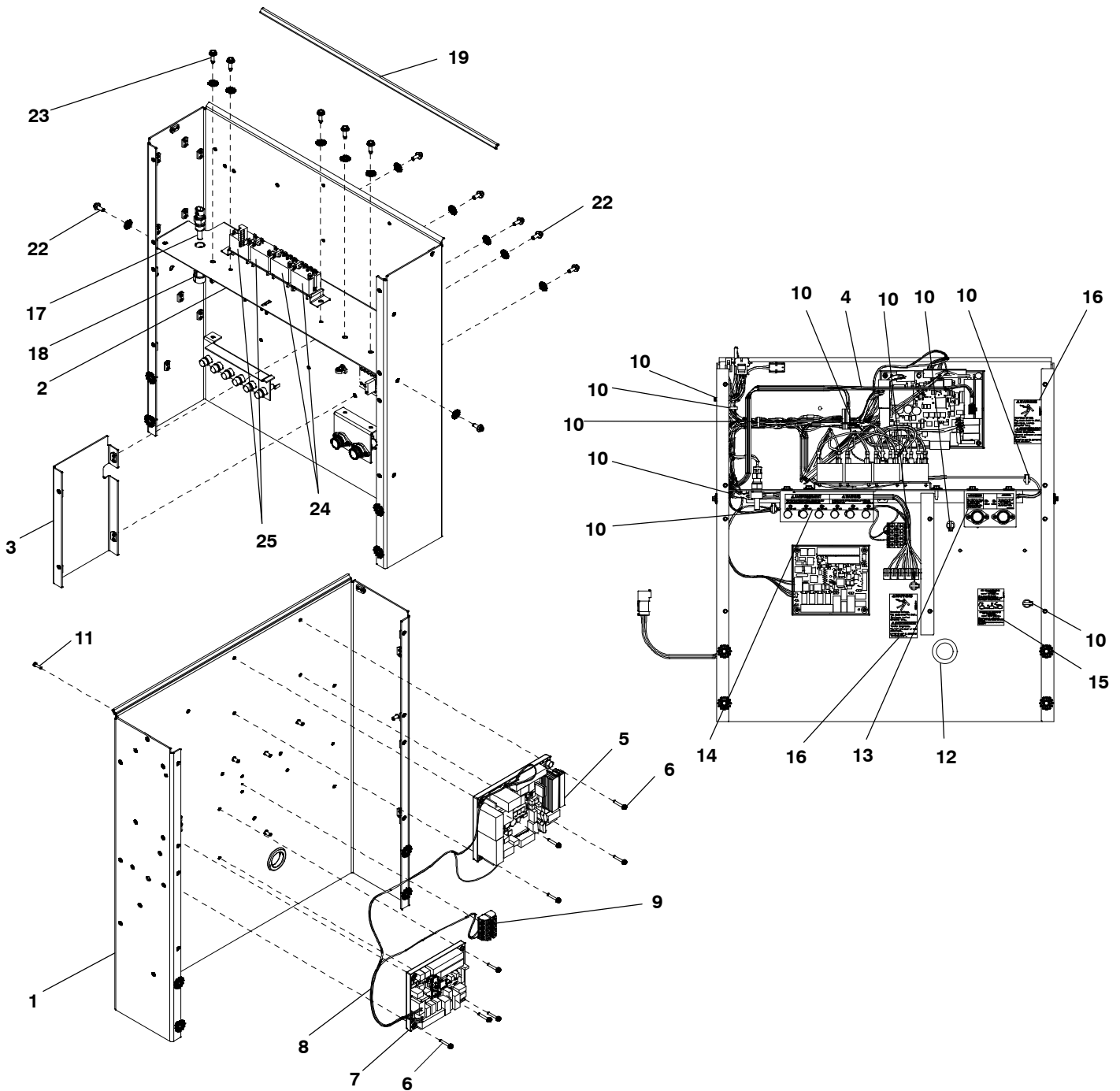
Control Box PC1.1 (No Auxiliary Relay or Signals)



Control Box – PC1.1 (No Auxiliary Relay or Signals)

Item	Part No.	Description	Qty
1	A047E242	Box, Control	1
2	A047W290	Panel, Control	1
3	A047G956	Panel, Control Box	1
4	A047Y650	Harness, Generator Electrical	1
5	A043W505	Card, Control	1
6	0819-1165-09	Screw, Pan Head	4
7	A044D694	Tie, Cable	11
8	A049H744	Grommet	1
9	A050J260	Label, Marking	1
10	A050J258	Label, Marking	1
11	A048H191	Label, Information	1
12	A048G965	Label, Warning	2
13	0193-0529-01	Sensor, Temperature	1
14	A042N860	Tie, Cable	1
15	A050Y809	Edging	1
16	0856-0010	Washer, Lock (Not Shown)	4
17	0815-0781	Screw, Hollow Head (Not Shown)	4
18	0815-0857-02	Screw, Hex Head	7
19	0800-6399	Screw, Hex Head	5
20	0307-2968-01	Relay, Power	2
21	0307-2968-03	Relay, Power	2

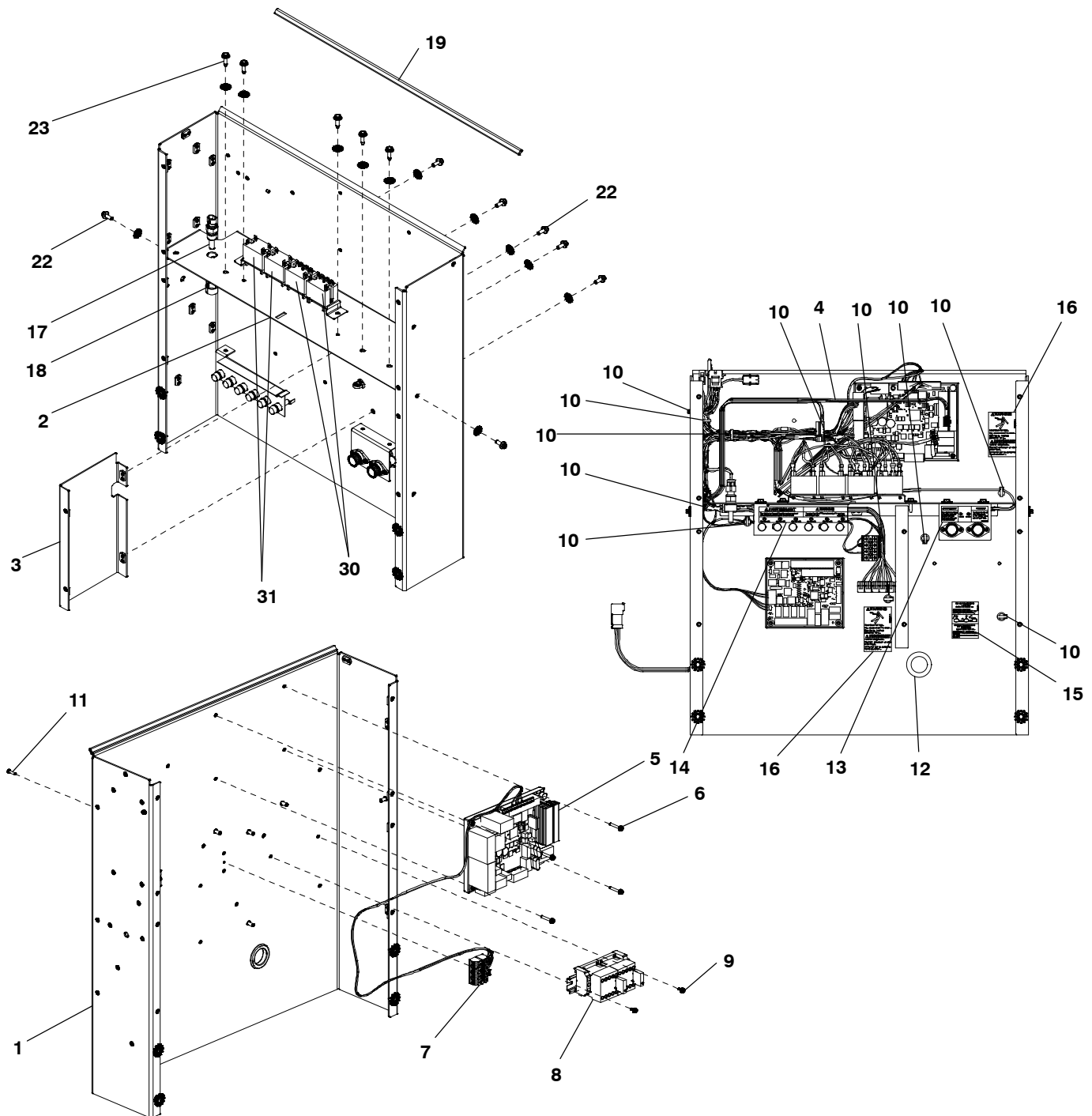
Control Box – PC1.1 (With Auxiliary Signal Control)



Control Box – PC1.1 (With Auxiliary Signal Control)

Item	Part No.	Description	Qty
1	A047E242	Box, Control	1
2	A047W290	Panel, Control	1
3	A047G956	Panel, Control Box	1
4	A047Y650	Harness, Generator Electrical	1
5	A043W505	Card, Control	1
6	0819-1165-09	Screw, Pan Head	8
7	0327-1536	Card, Input Output	1
8	A043A230	Harness, Circuit Card	1
9	A043B108	Harness, Generator Electrical	1
10	A044D694	Tie, Cable	11
11	A043E872	Screw, Pan Head	1
12	A049H744	Grommet	1
13	A050J260	Label, Marking	1
14	A050J258	Label, Marking	1
15	A048H191	Label, Information	1
16	A048G965	Label, Warning	2
17	0193-0529-01	Sensor, Temperature	1
18	A042N860	Tie, Cable	1
19	A050Y809	Edging	1
20	0856-0010	Washer, Lock (Not Shown)	4
21	0815-0781	Screw, Hollow Head (Not Shown)	4
22	0815-0857-02	Screw, Hex Head	7
23	0800-6399	Screw, Hex Head	5
24	0307-2968-01	Relay, Power	2
25	0307-2968-03	Relay, Power	2

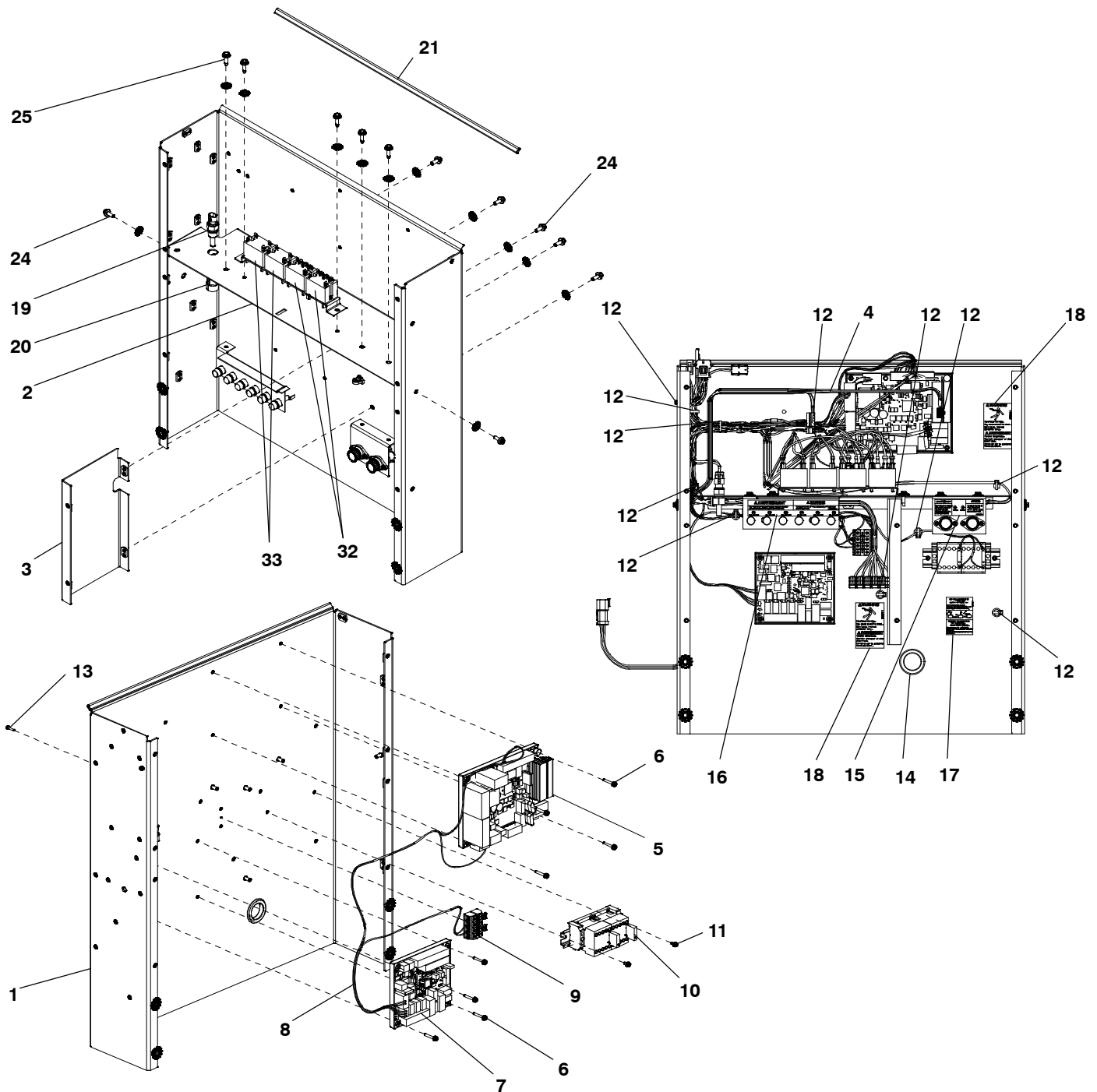
Control Box – PC1.1 (With Auxiliary Relay)



Control Box – PC1.1 (With Auxiliary Relay)

Item	Part No.	Description	Qty
1	A047E242	Box, Control	1
2	A047W290	Panel, Control	1
3	A047G956	Panel, Control Box	1
4	A047Y650	Harness, Generator Electrical	1
5	A043W505	Card, Control	1
6	0819-1165-09	Screw, Pan Head	4
7	A043B108	Harness, Generator Electrical	1
8	A042Z041	Harness, Relay (Includes Parts Marked *)	1
9	0819-1165-02	Screw, Pan Head	2
10	A044D694	Tie, Cable	11
11	A043E872	Screw, Pan Head	1
12	A049H744	Grommet	1
13	A050J260	Label, Marking	1
14	A050J258	Label, Marking	1
15	A048H191	Label, Information	1
16	A048G965	Label, Warning	2
17	0193-0529-01	Sensor, Temperature	1
18	A042N860	Tie, Cable	1
19	A050Y809	Edging	1
20	0856-0010	Washer, Lock (Not Shown)	4
21	0815-0781	Screw, Hollow Head (Not Shown)	4
22	0815-0857-02	Screw, Hex Head	7
23	0800-6399	Screw, Hex Head	5
24	0307-2873	*Relay, Control	2
25	0332-3388	*Tie, Cable	8
26	0332-2879-02	*Rail, Terminal	1
27	0332-4320	*Block, Terminal	2
28	0332-3491-01	*Terminal, Pin	9
29	0305-1009	*Suppressor, Voltage	2
30	0307-2968-01	Relay, Power	2
31	0307-2968-03	Relay, Power	2

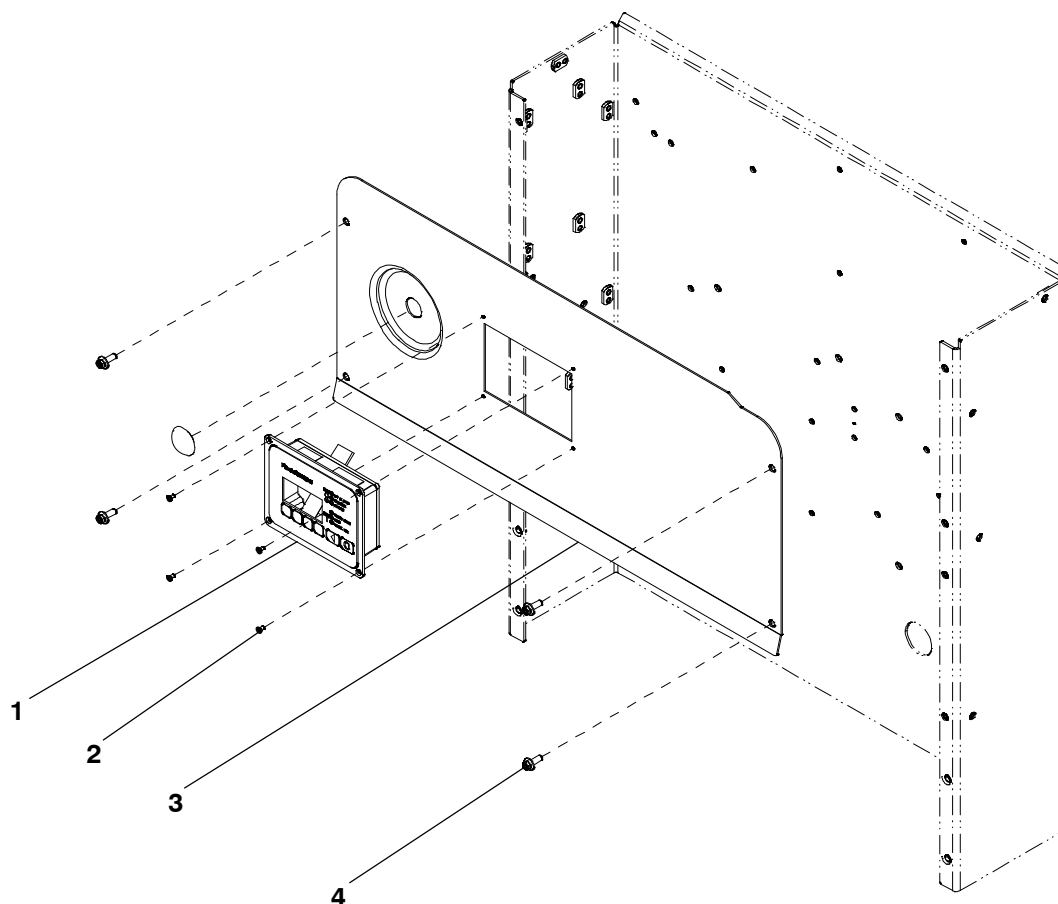
Control Box – PC 1.1 (With Auxiliary Signal Control and Auxiliary Relay)



Control Box – PC1.1 (With Auxiliary Signal Control and Auxiliary Relay)

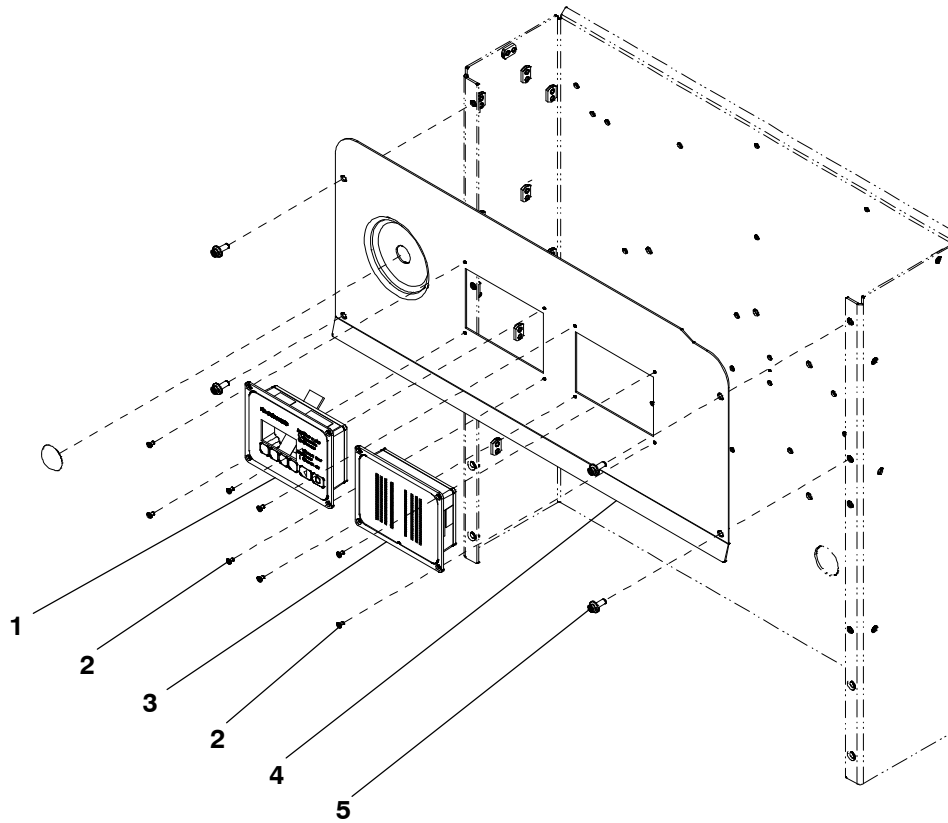
Item	Part No.	Description	Qty
1	A047E242	Box, Control	1
2	A047W290	Panel, Control	1
3	A047G956	Panel, Control Box	1
4	A047Y650	Harness, Generator Electrical	1
5	A043W505	Card, Control	1
6	0819-1165-09	Screw, Pan Head	8
7	0327-1536	Card, Input Output	1
8	A043A230	Harness, Circuit Card	1
9	A043B108	Harness, Generator Electrical	1
10	A042Z041	Harness, Relay (Includes Parts Marked *)	1
11	0819-1165-02	Screw, Pan Head	2
12	A044D694	Tie, Cable	11
13	A043E872	Screw, Pan Head	1
14	A049H744	Grommet	1
15	A050J260	Label, Marking	1
16	A050J258	Label, Marking	1
17	A048H191	Label, Information	1
18	A048G965	Label, Warning	2
19	0193-0529-01	Sensor, Temperature	1
20	A042N860	Tie, Cable	1
21	A050Y809	Edging	1
22	0856-0010	Washer, Lock (Not Shown)	4
23	0815-0781	Screw, Hollow Head (Not Shown)	4
24	0815-0857-02	Screw, Hex Head	7
25	0800-6399	Screw, Hex Head	5
26	0307-2873	*Relay, Control	2
27	0332-3388	*Tie, Cable	8
28	0332-2879-02	*Rail, Terminal	1
29	0332-4320	*Block, Terminal	2
30	0332-3491-01	*Terminal, Pin	9
31	0305-1009	*Suppressor, Voltage	2
32	0307-2968-01	Relay, Power	2
33	0307-2968-03	Relay, Power	2

Display Panel – PC1.1 (HMI 211)



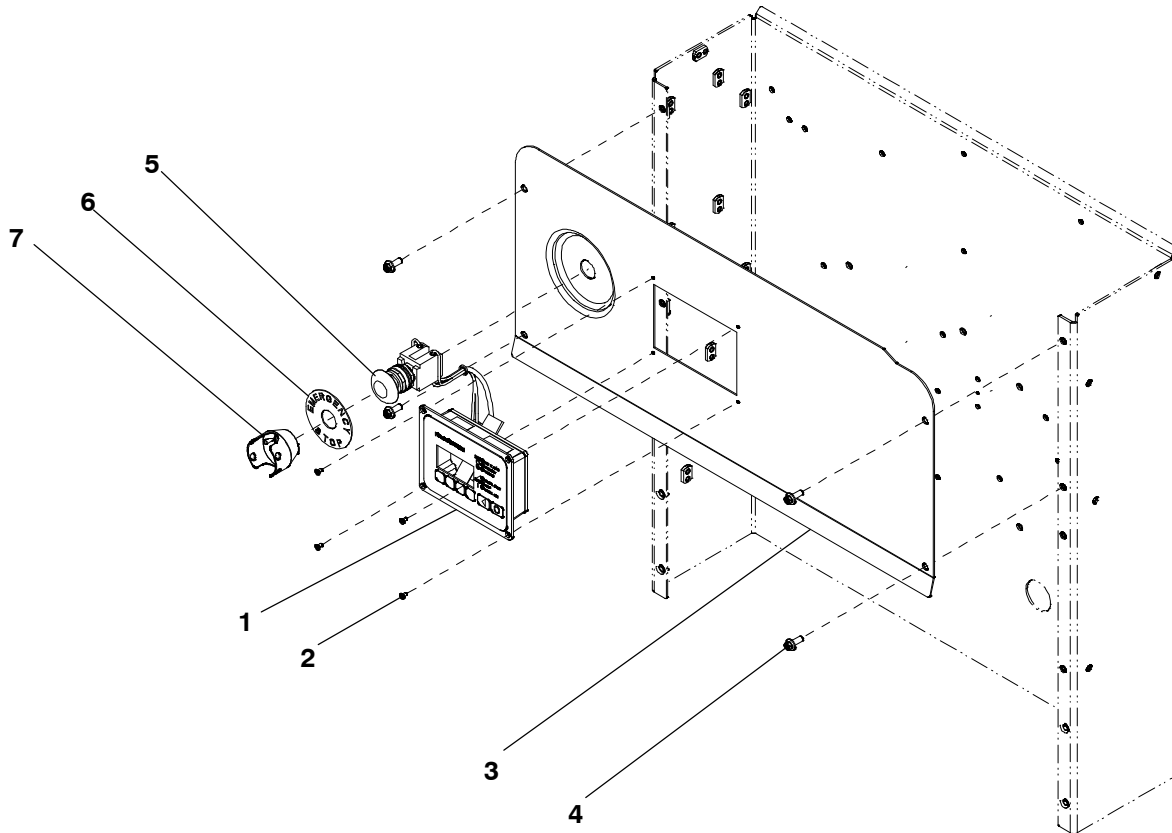
Item	Part No.	Description	Qty
1	0300-6014	Control, Genset	1
2	0814-2155-01	Screw, Flat Head	4
3	A050U501	Panel, Display	1
4	0815-0857-02	Screw, Hex Head	4

Display Panel – PC1.1 (HMI 211 and Bargraph)



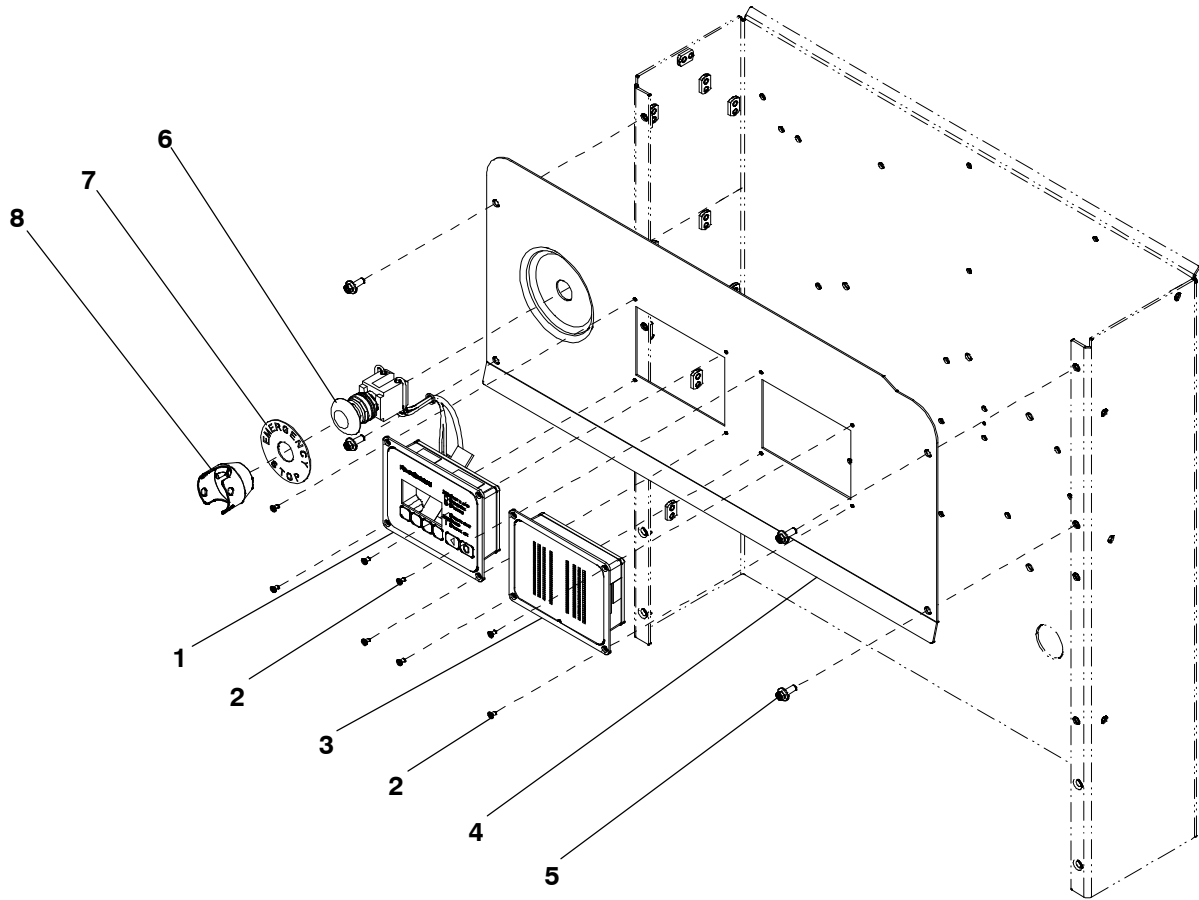
Item	Part No.	Description	Qty
1	0300-6014	Control, Genset	1
2	0814-2155-01	Screw, Flat Head	8
3	0300-6050-02	Display, Control	1
4	A050U499	Panel, Display	1
5	0815-0857-02	Screw, Hex Head	4

Display Panel – PC1.1 (HMI 211 and E-Stop)



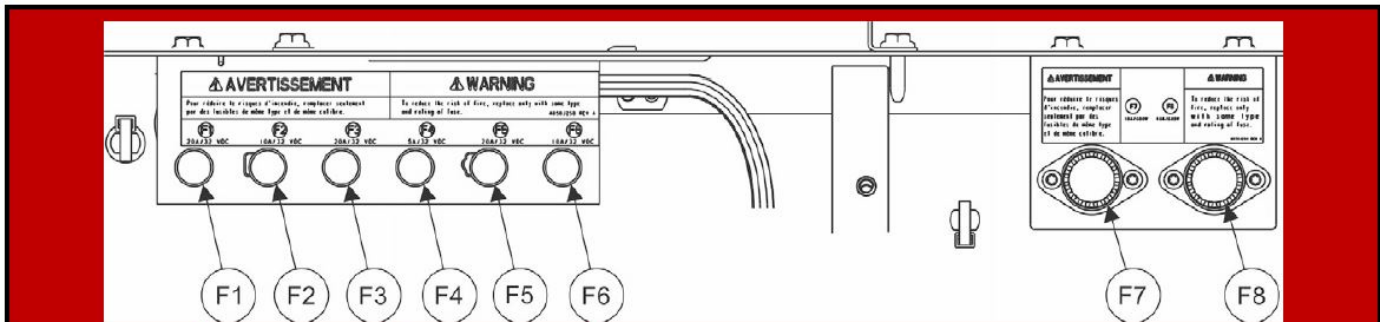
Item	Part No.	Description	Qty
1	0300-6014	Control, Genset	1
2	0814-2155-01	Screw, Flat Head	4
3	A050U501	Panel, Display	1
4	0815-0857-02	Screw, Hex Head	4
5	A043E232	Harness, Generator Electrical	1
6	0308-1177	Bezel, Switch	1
7	0319-6766	Guard, Electrical	1

Display Panel – PC1.1 (HMI 211, Bargraph and E-Stop)



Item	Part No.	Description	Qty
1	0300-6014	Control, Genset	1
2	0814-2155-01	Screw, Flat Head	8
3	0300-6050-02	Display, Control	1
4	A050U499	Panel, Display	1
5	0815-0857-02	Screw, Hex Head	4
6	A043E232	Harness, Generator Electrical	1
7	0308-1177	Bezel, Switch	1
8	0319-6766	Guard, Electrical	1

Fuses – PC1.1

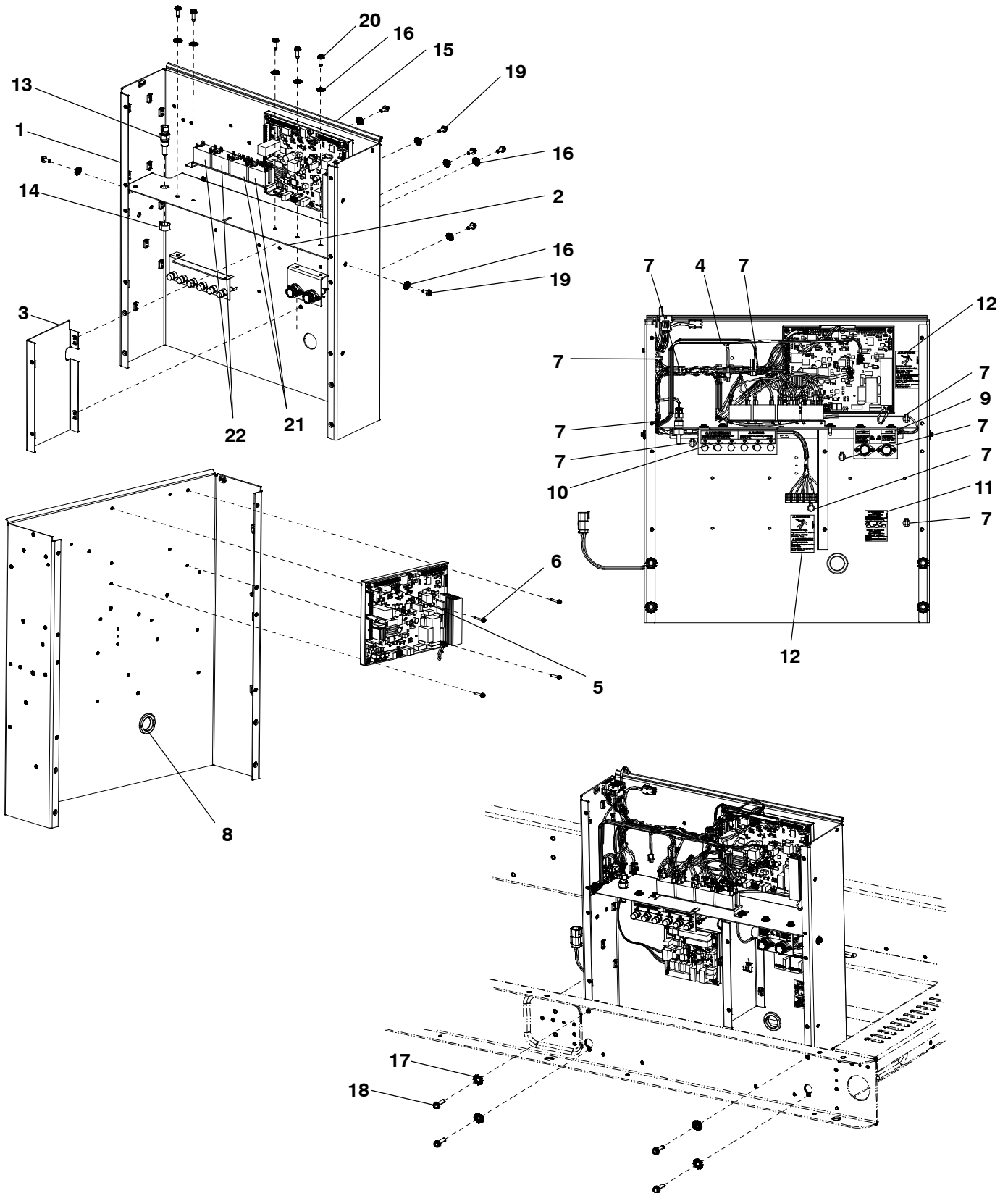


Fuse	Amps	Volts	Description
F1	20	32 VDC	1302 Control B+
F2	10	32 VDC	Key SW, Alt Flash, LCL, Fuel sol, HMI B+
F3	20	32 VDC	ECM Vbat B+
F4	5	32 VDC	Electronic Pressure Regulator (90 Pin ECM Only)
F5	20	32 VDC	Switched Ignition B+
F6	10	32 VDC	Customer Switched B+
F7	10	600 VAC	AC input, Shunt/PMG
F8	10	600 VAC	AC input, Shunt/PMG

Item	Part No.	Description	Qty
		Fuses	
	0321-0372-03	5A – F4	1
	0321-0372-05	10A – F2, F6	2
	0321-0372-07	20A – F1, F3, F5	3
	A042Z472	10A – F7, F8	2
		Fuse Holders	
	0321-0175	Used With Fuses F1 – F6	6
	A042Z462	Used With Fuses F7 – F8	2

This page is Intentionally blank.

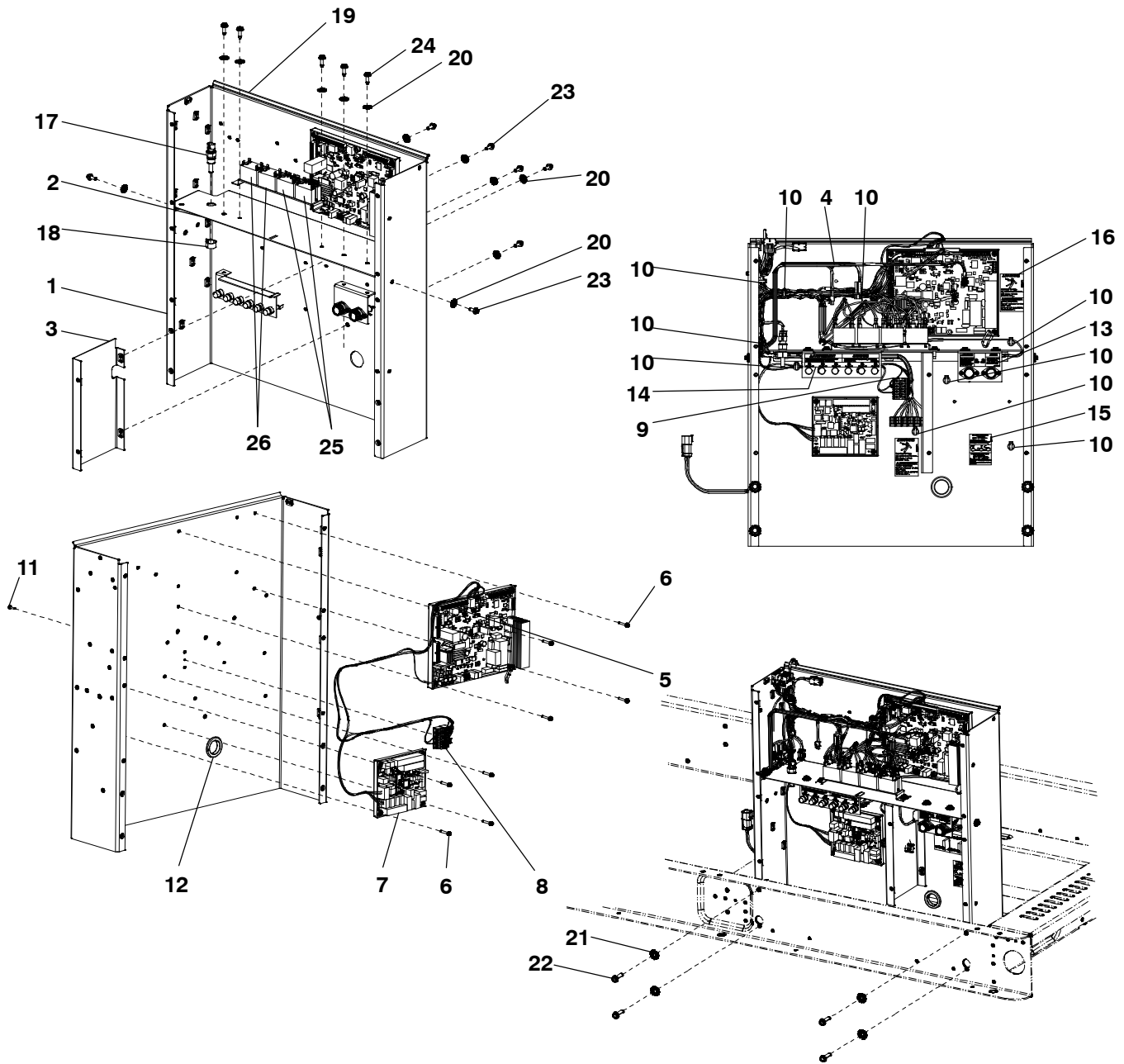
Control Box – PC2.3 (No Auxiliary Relay or Signals)



Control Box – PC2.3 (No Auxiliary Relay or Signals)

Item	Part No.	Description	Qty
1	A053H623	Box, Control	1
2	A047W290	Panel, Control	1
3	A047G956	Panel, Control Box	1
4	A053S093	Harness, Generator Electrical	1
5	A053T067	Card, Control	1
6	0819-1165-09	Screw, Pan Head	4
7	A044D694	Tie, Cable	11
8	A049H744	Grommet	1
9	A050J260	Label, Marking	1
10	A050J258	Label, Marking	1
11	A048H191	Label, Information	1
12	A048G965	Label, Warning	2
13	0193-0529-01	Sensor, Temperature	1
14	A042N860	Tie, Cable	1
15	A050Y809	Edging	1
16	0856-0006	Washer, Lock	12
17	0856-0010	Washer, Lock	4
18	0815-0781	Screw, Hollow Head	4
19	0815-0857-02	Screw, Hex Head	7
20	0800-6399	Screw, Hex Head	5
21	0307-2968-01	Relay, Power	2
22	0307-2968-03	Relay, Power	2

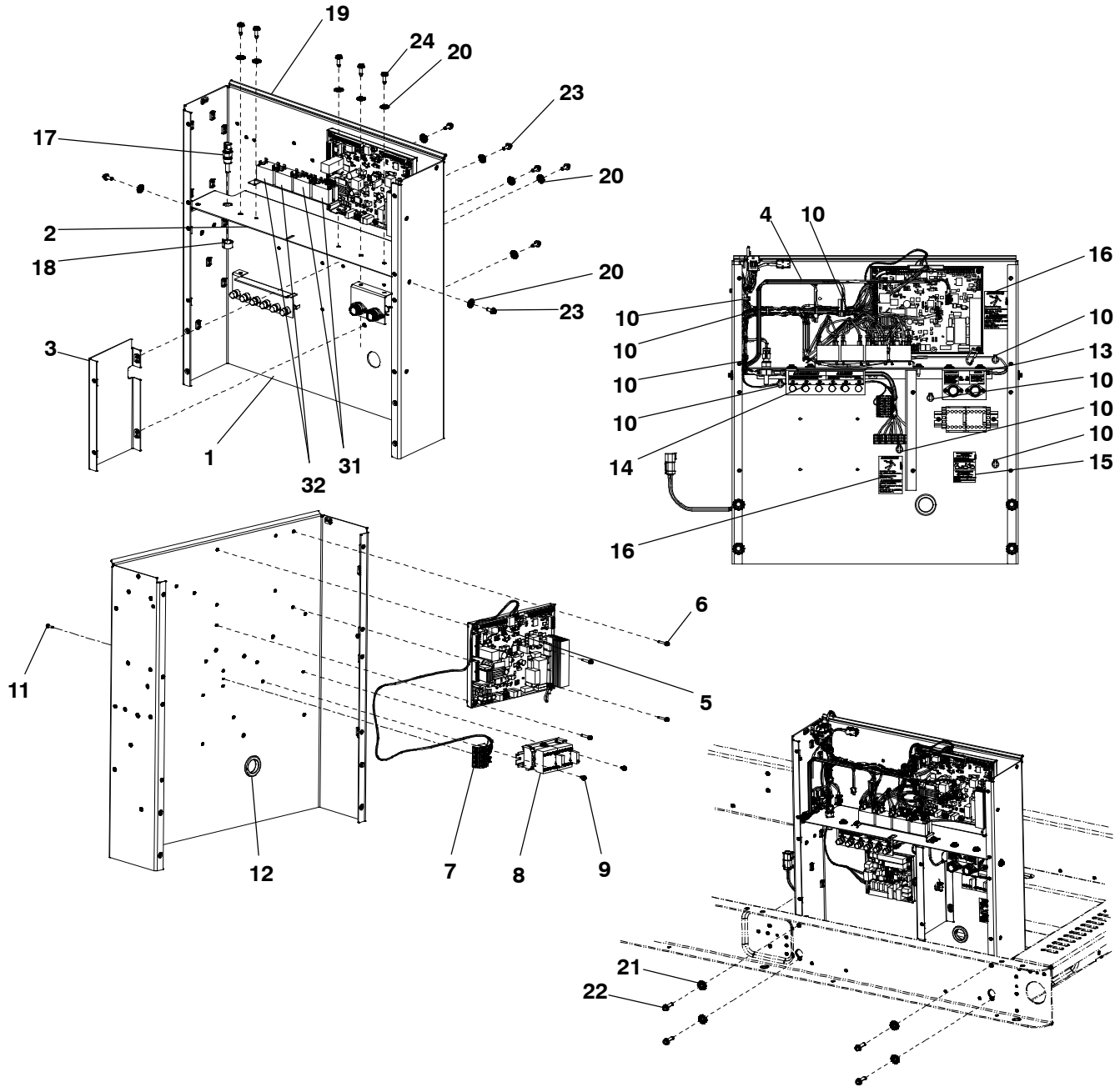
Control Box – PC2.3 (With Auxiliary Signal Control)



Control Box – PC2.3 (With Auxiliary Signal Control)

Item	Part No.	Description	Qty
1	A053H623	Box, Control	1
2	A047W290	Panel, Control	1
3	A047G956	Panel, Control Box	1
4	A053S093	Harness, Generator Electrical	1
5	A053T067	Card, Control	1
6	0819-1165-09	Screw, Pan Head	8
7	0327-1536	Card, Input Output	1
8	A043A230	Harness, Circuit Card	1
9	A043B108	Harness, Generator Electrical	1
10	A044D694	Tie, Cable	11
11	A043E872	Screw, Pan Head	1
12	A049H744	Grommet	1
13	A050J260	Label, Marking	1
14	A050J258	Label, Marking	1
15	A048H191	Label, Information	1
16	A048G965	Label, Warning	2
17	0193-0529-01	Sensor, Temperature	1
18	A042N860	Tie, Cable	1
19	A050Y809	Edging	1
20	0856-0006	Washer, Lock	12
21	0856-0010	Washer, Lock	4
22	0815-0781	Screw, Hollow Head	4
23	0815-0857-02	Screw, Hex Head	7
24	0800-6399	Screw, Hex Head	5
25	0307-2968-01	Relay, Power	2
26	0307-2968-03	Relay, Power	2

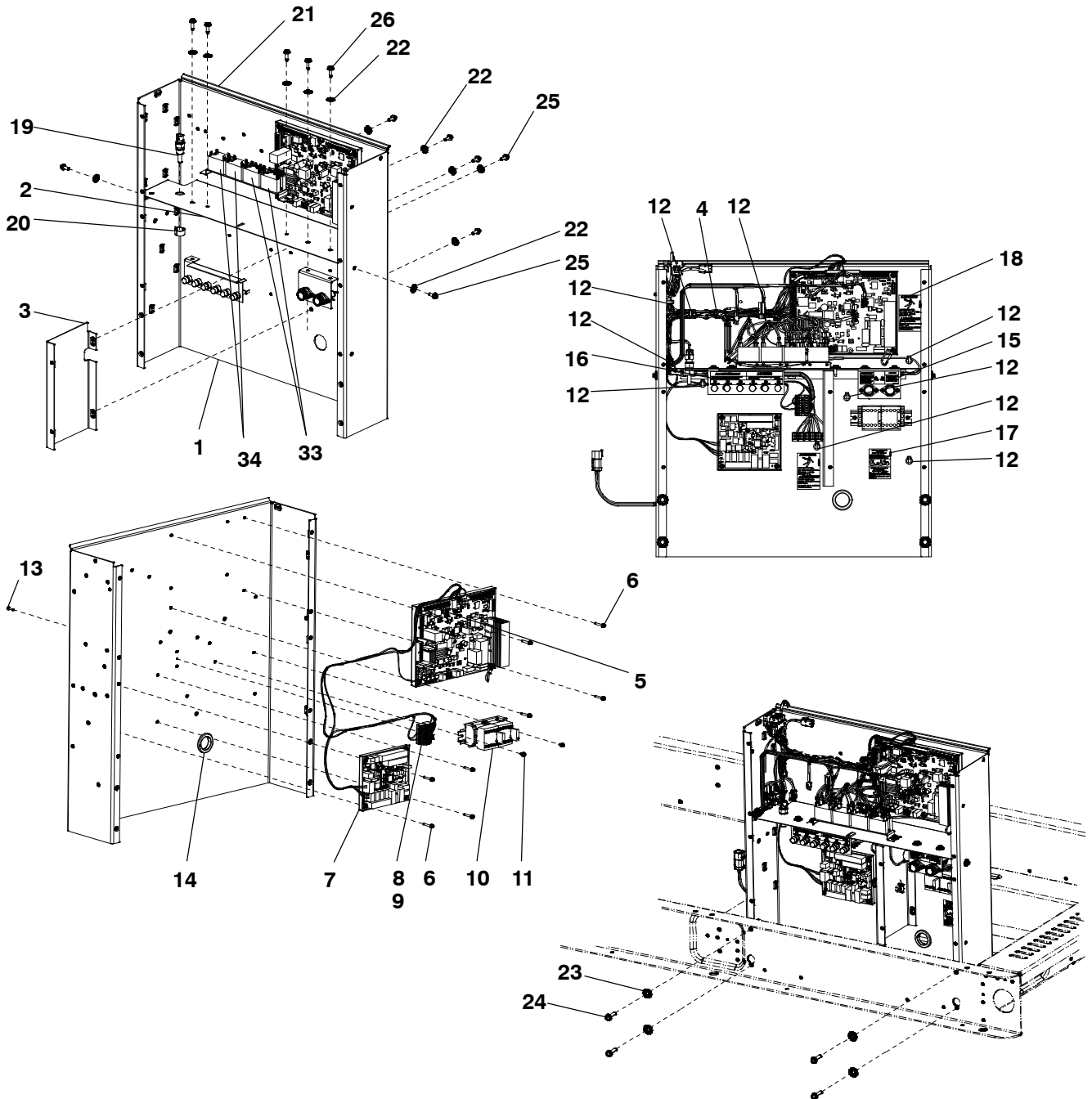
Control Box – PC2.3 (With Auxiliary Relay)



Control Box – PC2.3 (With Auxiliary Relay)

Item	Part No.	Description	Qty
1	A053H623	Box, Control	1
2	A047W290	Panel, Control	1
3	A047G956	Panel, Control Box	1
4	A053S093	Harness, Generator Electrical	1
5	A053T067	Card, Control	1
6	0819-1165-09	Screw, Pan Head	4
7	A043B108	Harness, Generator Electrical	1
8	A042Z041	Harness, Relay (Includes Parts Marked *)	1
9	0819-1165-02	Screw, Pan Head	2
10	A044D694	Tie, Cable	11
11	A043E872	Screw, Pan Head	1
12	A049H744	Grommet	1
13	A050J260	Label, Marking	1
14	A050J258	Label, Marking	1
15	A048H191	Label, Information	1
16	A048G965	Label, Warning	2
17	0193-0529-01	Sensor, Temperature	1
18	A042N860	Tie, Cable	1
19	A050Y809	Edging	1
20	0856-0006	Edging	12
21	0856-0010	Washer, Lock	4
22	0815-0781	Screw, Hollow Head	4
23	0815-0857-02	Screw, Hex Head	7
24	0800-6399	Screw, Hex Head	5
25	0307-2873	*Relay, Control	2
26	0332-3388	*Tie, Cable	8
27	0332-2879-02	*Rail, Terminal	1
28	0332-4320	*Block, Terminal	2
29	0332-3491-01	*Terminal, Pin	9
30	0305-1009	*Suppressor, Voltage	2
31	0307-2968-01	Relay, Power	2
32	0307-2968-03	Relay, Power	2

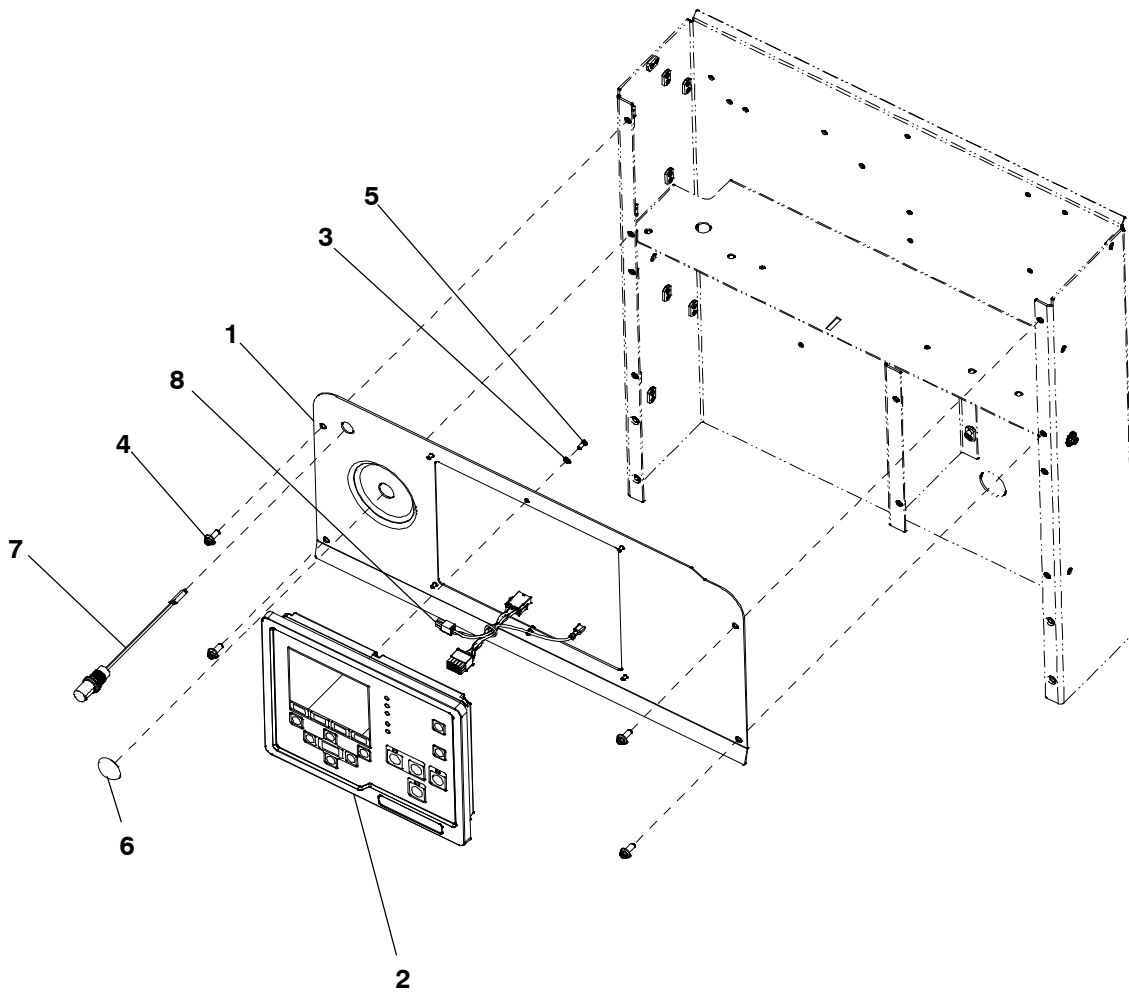
Control Box – PC2.3 (With Auxiliary Signal Control and Auxiliary Relay)



Control Box – PC2.3 (With Auxiliary Signal Control and Auxiliary Relay)

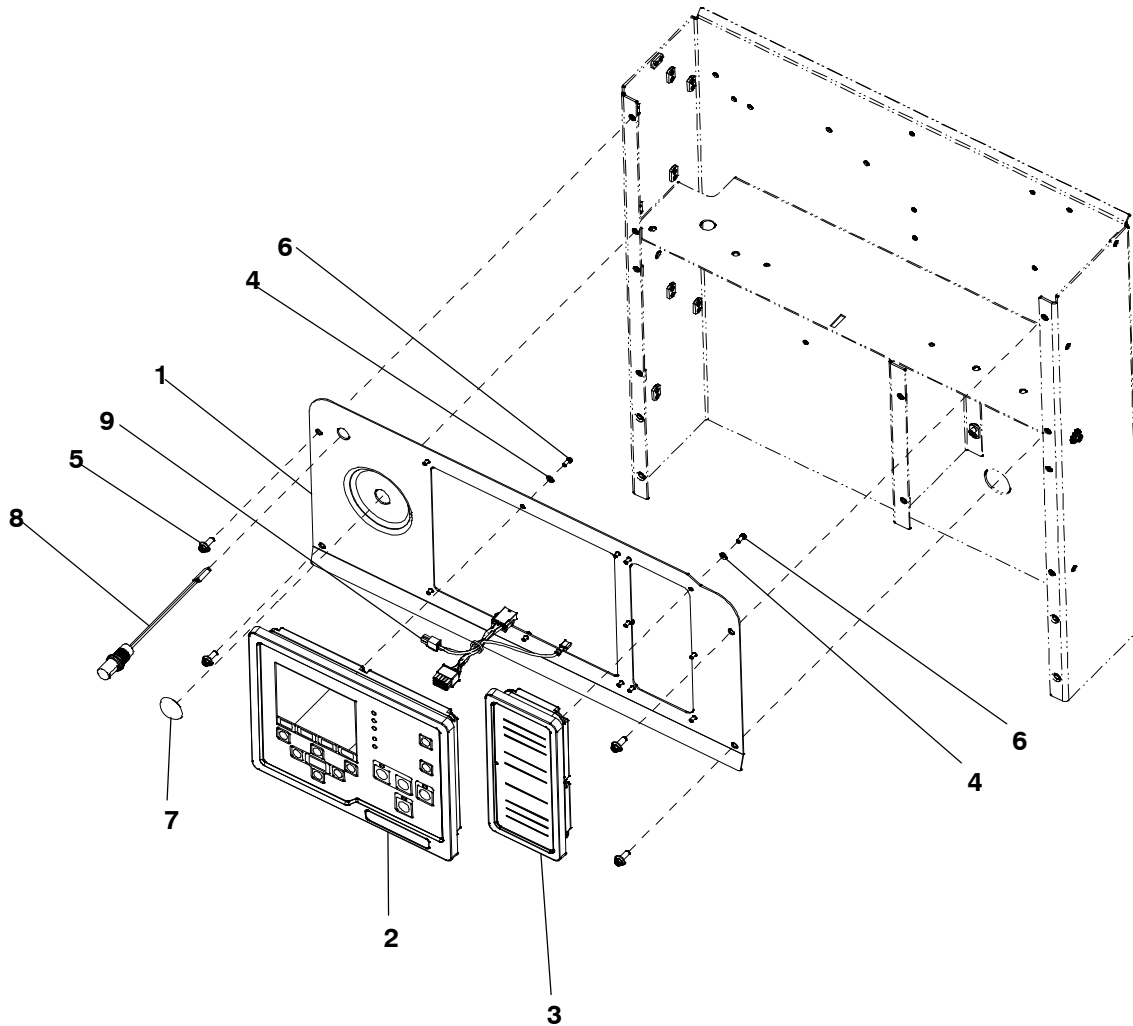
Item	Part No.	Description	Qty
1	A053H623	Box, Control	1
2	A047W290	Panel, Control	1
3	A047G956	Panel, Control Box	1
4	A053S093	Harness, Generator Electrical	1
5	A053T067	Card, Control	1
6	0819-1165-09	Screw, Pan Head	8
7	0327-1536	Card, Input Output	1
8	A043A230	Harness, Circuit Card	1
9	A043B108	Harness, Generator Electrical	1
10	A042Z041	Harness, Relay (Includes Parts Marked *)	1
11	0819-1165-02	Screw, Pan Head	2
12	A044D694	Tie, Cable	11
13	A043E872	Screw, Pan Head	1
14	A049H744	Grommet	1
15	A050J260	Label, Marking	1
16	A050J258	Label, Marking	1
17	A048H191	Label, Information	1
18	A048G965	Label, Warning	2
19	0193-0529-01	Sensor, Temperature	1
20	A042N860	Tie, Cable	1
21	A050Y809	Edging	1
22	0856-0006	Washer, Lock	12
23	0856-0010	Washer, Lock	4
24	0815-0781	Screw, Hollow Head	4
25	0815-0857-02	Screw, Hex Head	7
26	0800-6399	Screw, Hex Head	5
27	0307-2873	*Relay, Control	2
28	0332-3388	*Tie, Cable	8
29	0332-2879-02	*Rail, Terminal	1
30	0332-4320	*Block, Terminal	2
31	0332-3491-01	*Terminal, Pin	9
32	0305-1009	*Suppressor, Voltage	2
33	0307-2968-01	Relay, Power	2
34	0307-2968-03	Relay, Power	2

Display Panel – PC2.3 (HMI 320)



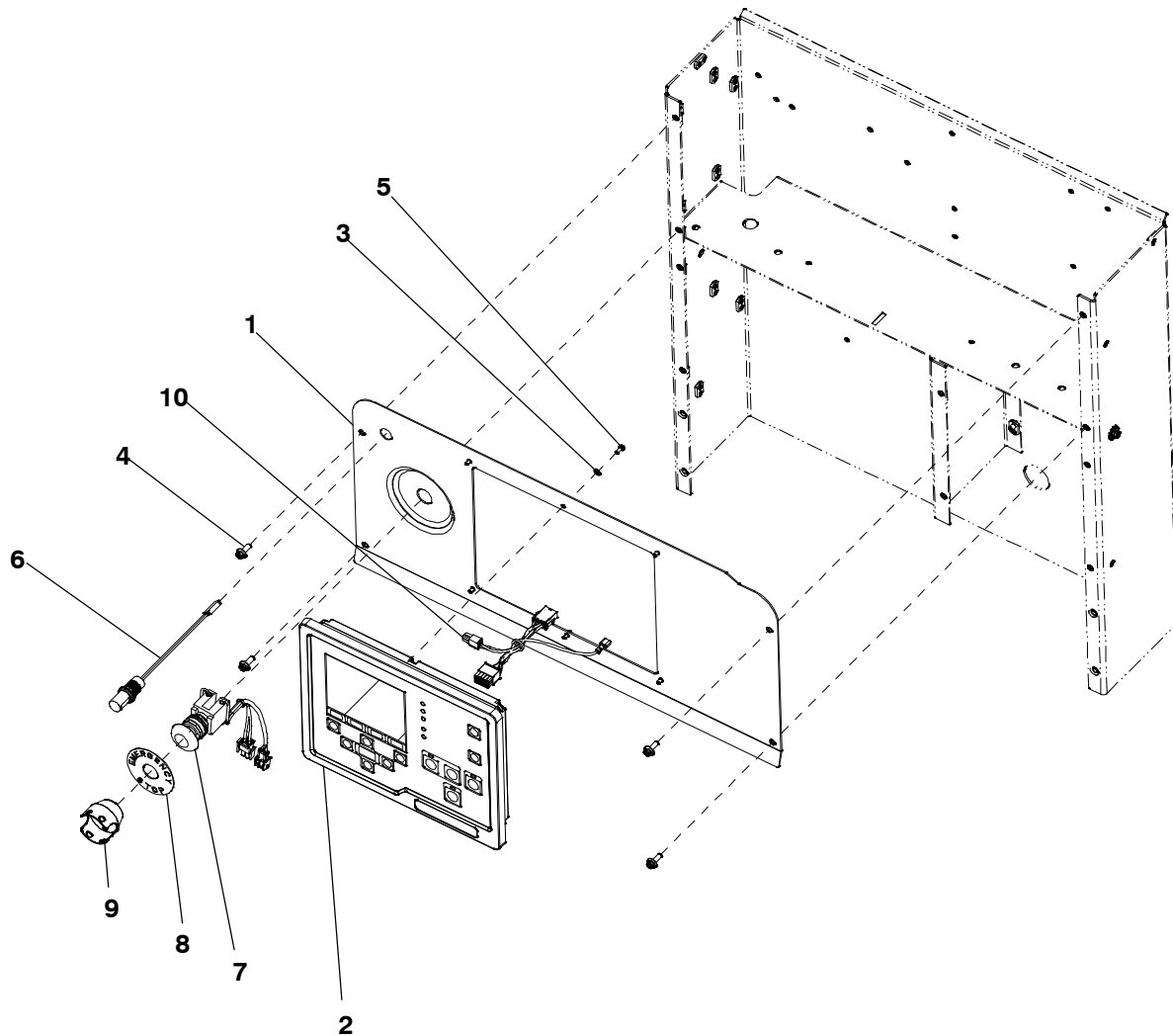
Item	Part No.	Description	Qty
1	A053J304	Panel, Display	1
2	0300-6315-01	Display, Control	1
3	0526-0399-54	Washer, Flat	6
4	0815-0857-02	Screw, Hex Head	4
5	0815-1540-18	Screw, Fillister Head Slot	6
6	A048W169	Plug	1
7	A048T764	Harness	1
8	A049C489	Harness, Extension	1

Display Panel – PC2.3 (HMI 320 and Bargraph)



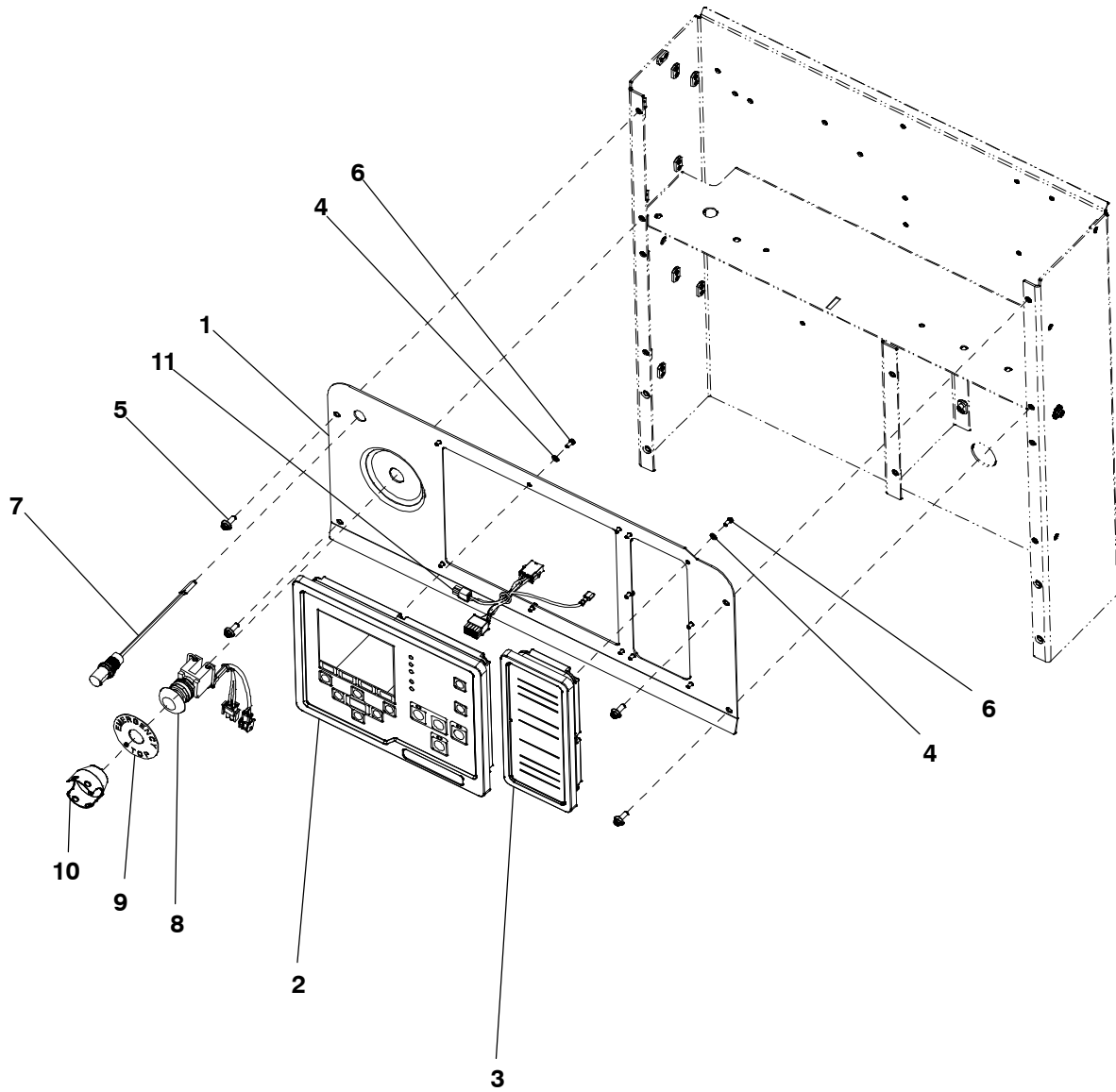
Item	Part No.	Description	Qty
1	A053J306	Panel, Display	1
2	0300-6315-01	Display, Control	1
3	0300-6366-02	Display, Control	1
4	0526-0399-54	Washer, Flat	12
5	0815-0857-02	Screw, Hex Head	4
6	0815-1540-18	Screw, Fillister Head Slot	12
7	A048W169	Plug	1
8	A048T764	Harness	1
9	A049C489	Harness, Extension	1

Display Panel – PC2.3 (HMI 320 and E-Stop)



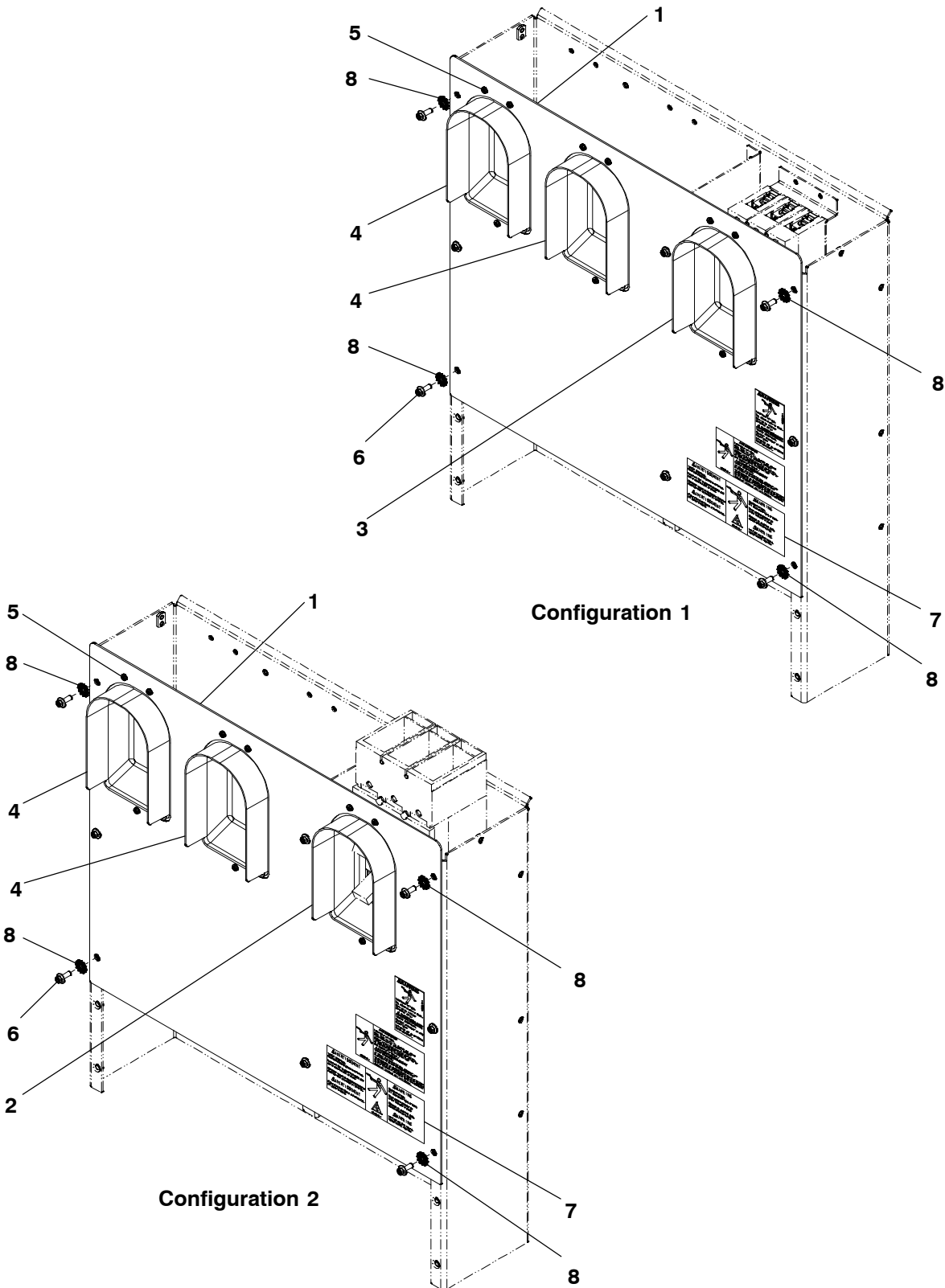
Item	Part No.	Description	Qty
1	A053J304	Panel, Display	1
2	0300-6315-01	Display, Control	1
3	0526-0399-54	Washer, Flat	6
4	0815-0857-02	Screw, Hex Head	4
5	0815-1540-18	Screw, Filister Head Slot	6
6	A048T764	Harness	1
7	A043E232	Harness, Generator Electrical	1
8	0308-1177	Bezel, Switch	1
9	0319-6766	Guard, Electrical	1
10	A049C489	Harness, Extension	1

Display Panel – PC2.3 (HMI 320, Bargraph and E-Stop)



Item	Part No.	Description	Qty
1	A053J306	Panel, Display	1
2	0300-6315-01	Display, Control	1
3	0300-6366-02	Display, Control	1
4	0526-0399-54	Washer, Flat	12
5	0815-0857-02	Screw, Hex Head	4
6	0815-1540-18	Screw, Filister Head Slot	12
7	A048T764	Harness	1
8	A043E232	Harness, Generator Electrical	1
9	0308-1177	Bezel, Switch	1
10	0319-6766	Guard, Electrical	1
11	A049C489	Harness, Extension	1

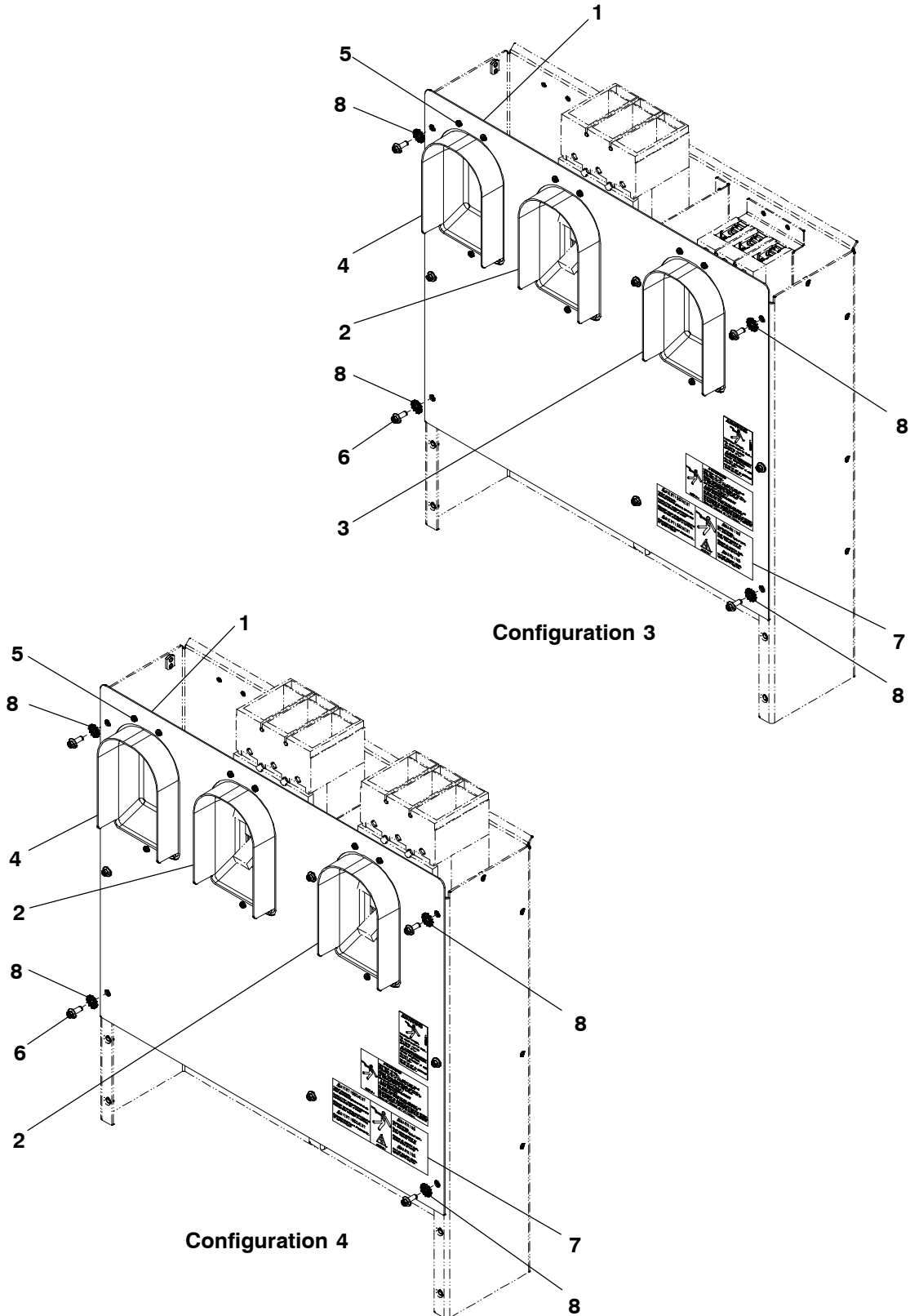
Circuit Breaker Covers – 1 Circuit Breaker (KV03-2)



Circuit Breaker Covers – 1 Circuit Breaker (KV03–2)

Item	Part No.	Description	Qty
1	A047E480	Cover, Circuit Breaker Box	1
2	A050E021	Cup, Circuit Breaker Switch	1
3	A050Y289	Cup, Circuit Breaker Switch	1
4	A050E026	Cup, Circuit Breaker Switch	2
5	A048E352	Screw, Pan Head	9
6	0815–0857–02	Screw, Hex Head	8
7	A044F254	Label, Warning	1
8	0856–0006	Washer, Lock	4

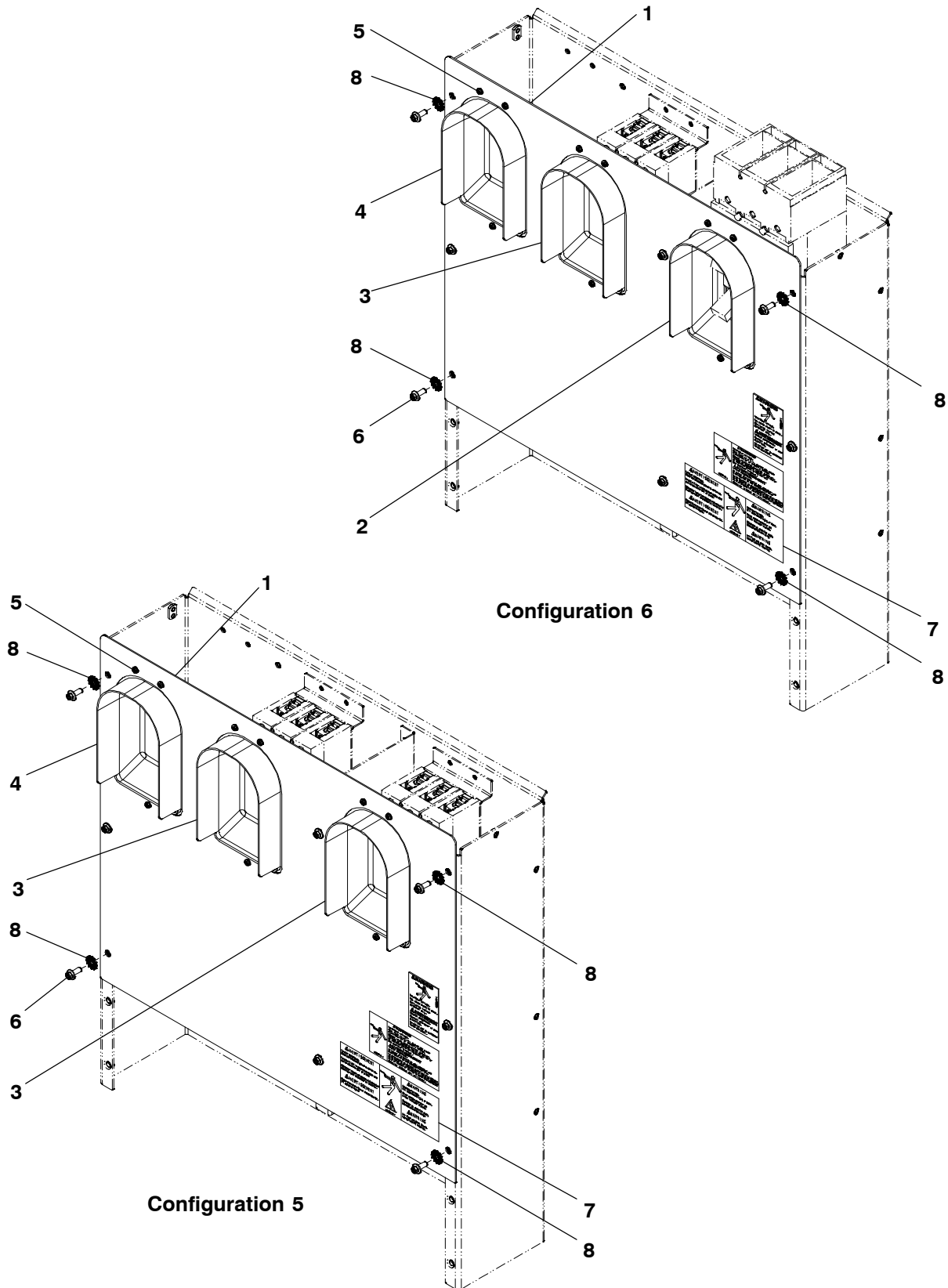
Circuit Breaker Covers – 2 Circuit Breakers (KV04-2)



Circuit Breaker Covers – 2 Circuit Breakers (KV04–2)

Item	Part No.	Description	Qty
1	A047E480	Cover, Circuit Breaker Box	1
2	A050E021	Cup, Circuit Breaker Switch	A/R
3	A050Y289	Cup, Circuit Breaker Switch	1
4	A050E026	Cup, Circuit Breaker Switch	1
5	A048E352	Screw, Pan Head	9
6	0815–0857–02	Screw, Hex Head	8
7	A044F254	Label, Warning	1
8	0856–0006	Washer, Lock	4

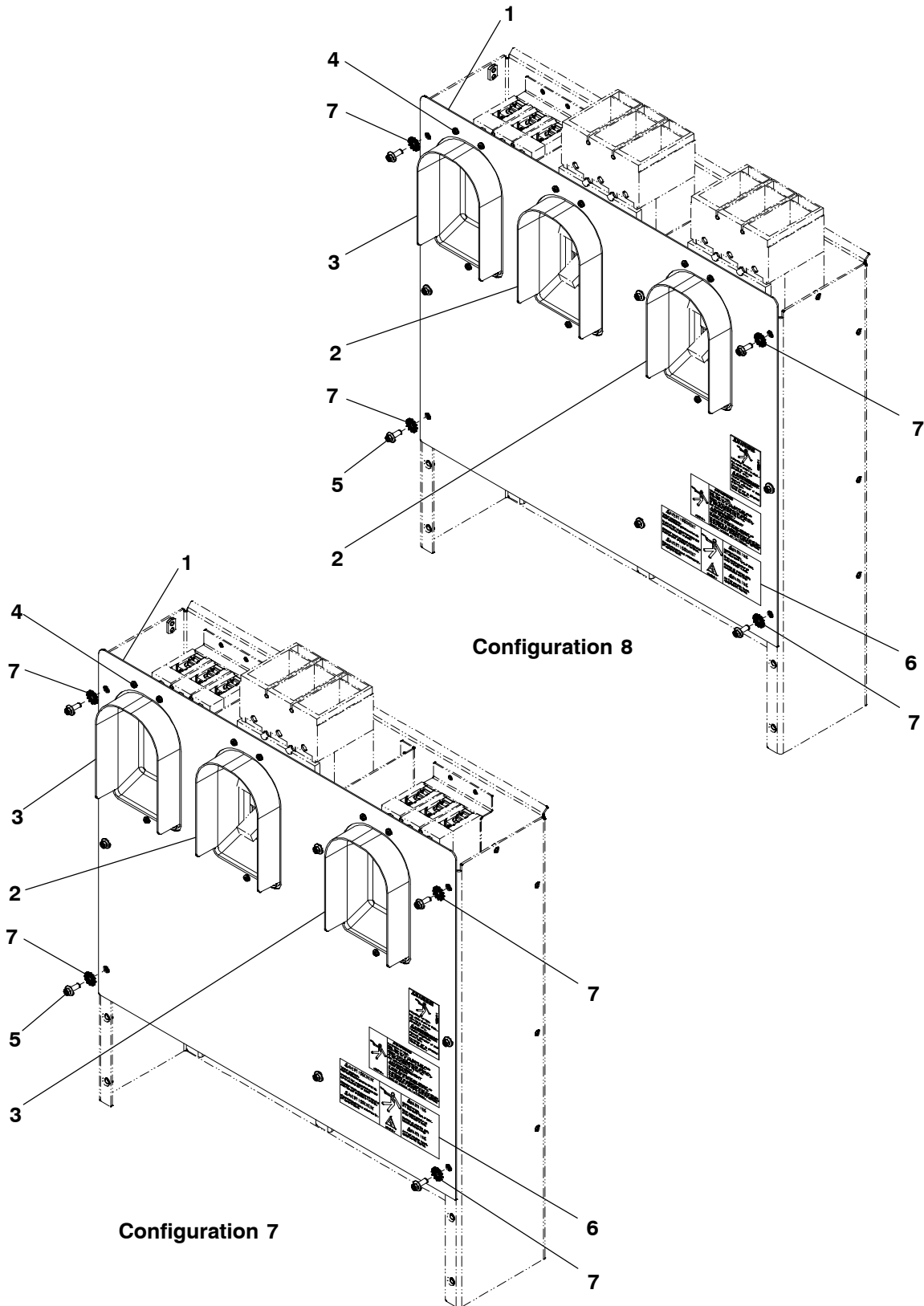
Circuit Breaker Covers – 2 Circuit Breakers (KV04–2) (Continued)



Circuit Breaker Covers – 2 Circuit Breakers (KV04–2) (Continued)

Item	Part No.	Description	Qty
1	A047E480	Cover, Circuit Breaker Box	1
2	A050E021	Cup, Circuit Breaker Switch	1
3	A050Y289	Cup, Circuit Breaker Switch	A/R
4	A050E026	Cup, Circuit Breaker Switch	1
5	A048E352	Screw, Pan Head	9
6	0815–0857–02	Screw, Hex Head	8
7	A044F254	Label, Warning	1
8	0856–0006	Washer, Lock	4

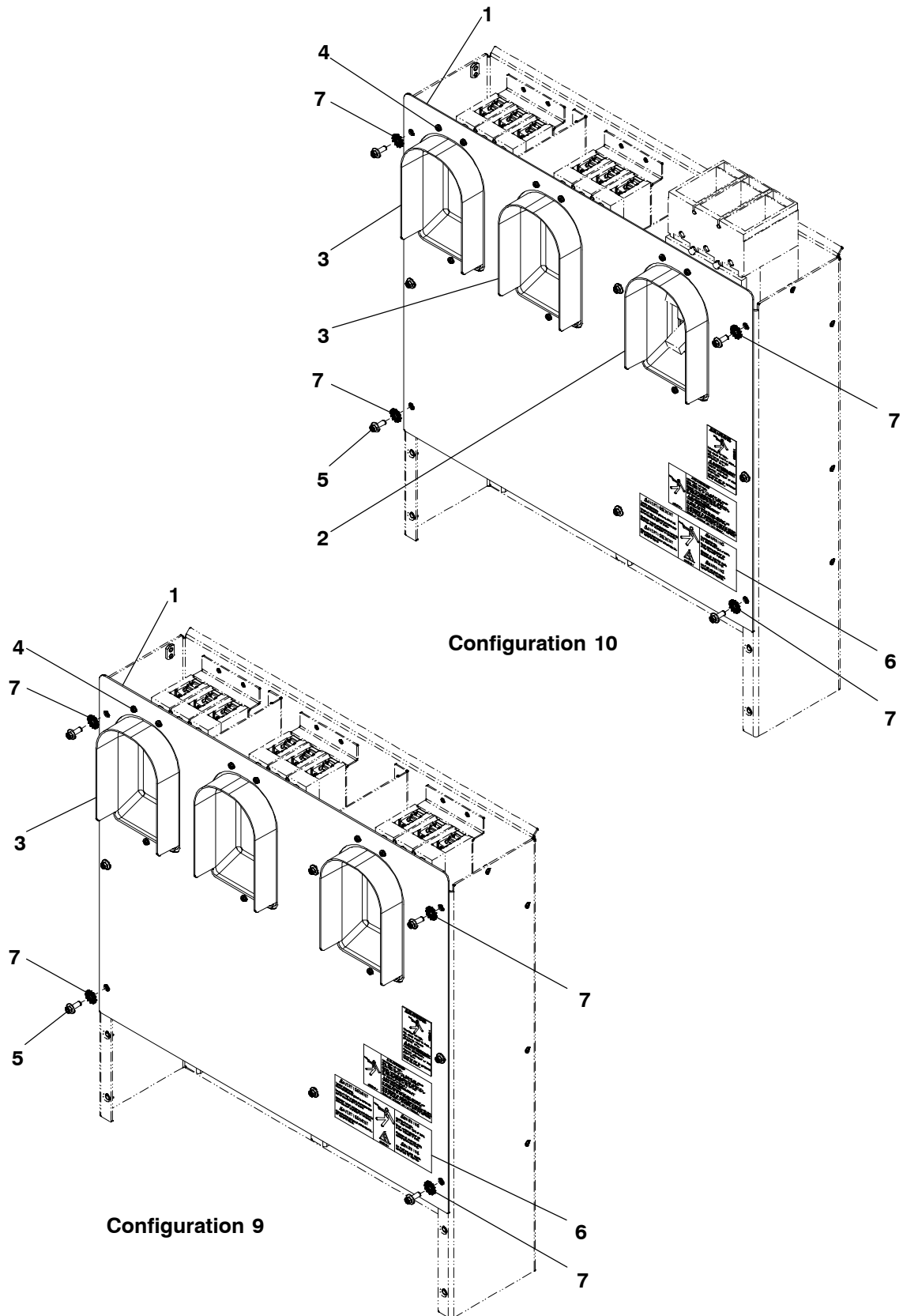
Circuit Breaker Covers – 3 Circuit Breakers (KX25-2)



Circuit Breaker Covers – 3 Circuit Breakers (KX25–2)

Item	Part No.	Description	Qty
1	A047E480	Cover, Circuit Breaker Box	1
2	A050E021	Cup, Circuit Breaker Switch	A/R
3	A050Y289	Cup, Circuit Breaker Switch	A/R
4	A048E352	Screw, Pan Head	9
5	0815–0857–02	Screw, Hex Head	8
6	A044F254	Label, Warning	1
7	0856–0006	Washer, Lock	4

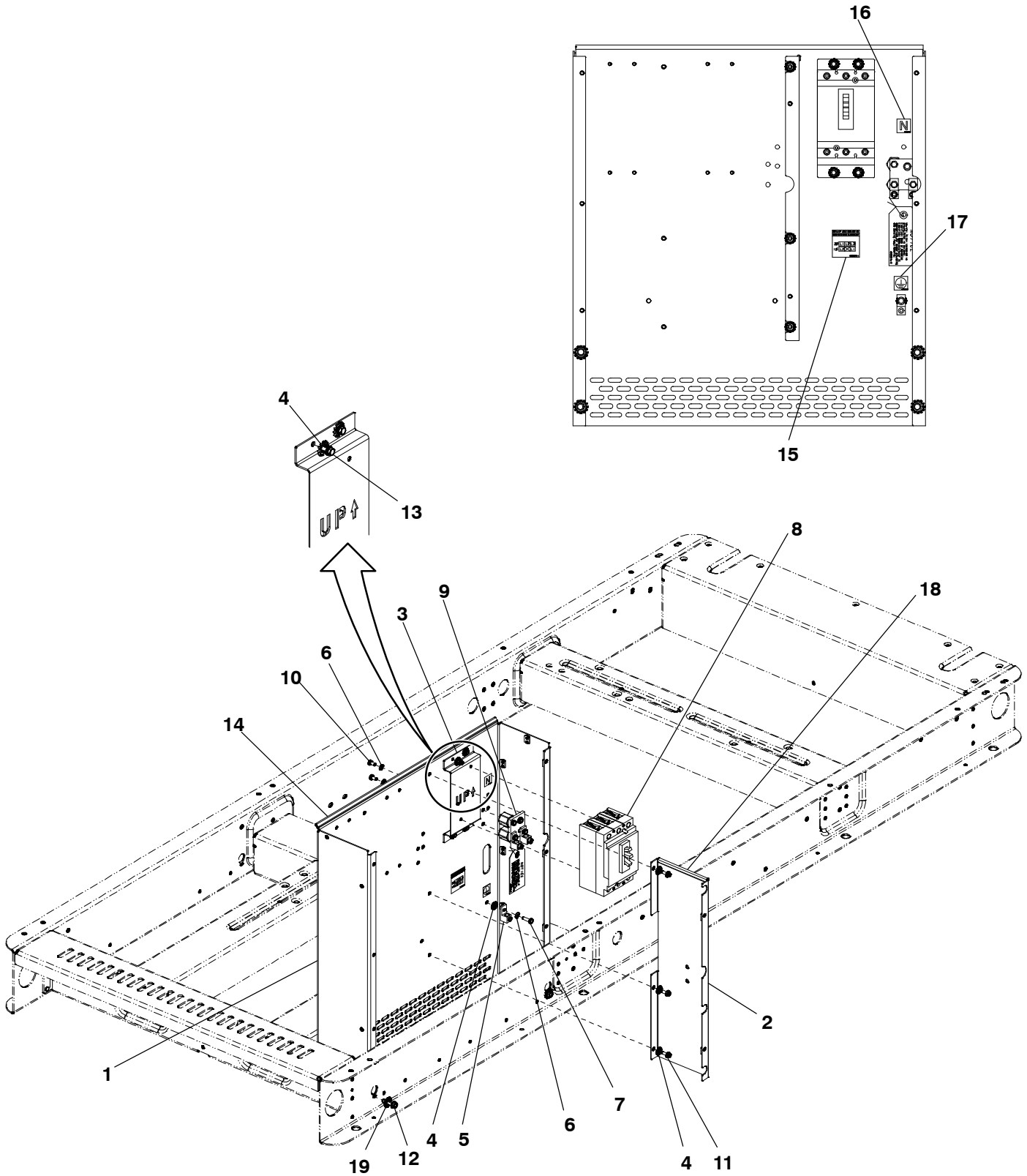
Circuit Breaker Covers – 3 Circuit Breakers (KX25-2) (Continued)



Circuit Breaker Covers – 3 Circuit Breakers (KX25–2) (Continued)

Item	Part No.	Description	Qty
1	A047E480	Cover, Circuit Breaker Box	1
2	A050E021	Cup, Circuit Breaker Switch	1
3	A050Y289	Cup, Circuit Breaker Switch	A/R
4	A048E352	Screw, Pan Head	9
5	0815–0857–02	Screw, Hex Head	8
6	A044F254	Label, Warning	1
7	0856–0006	Washer, Lock	4

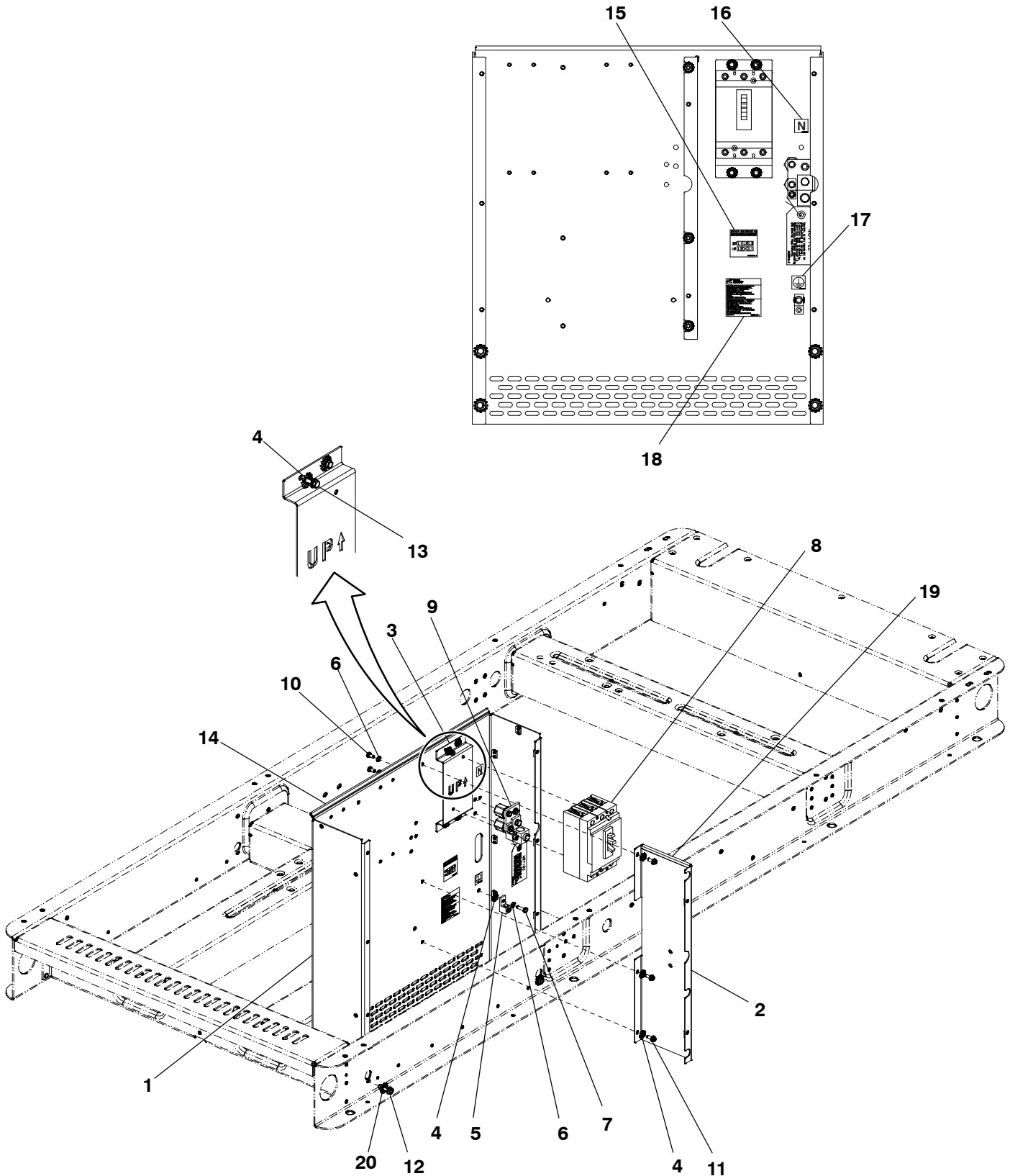
Circuit Breakers (15A–100A) Position “A” (Right Side)



Circuit Breakers (15A–100A) Position “A” (Right Side)

Item	Part No.	Description	Qty
1	A050D494	Box, Circuit Breaker	1
2	A050Y622	Panel, Electrical	1
3	A047U747	Bracket, Circuit Breaker	1
4	0856–0006	Washer, Lock	8
5	0332–3647	Lug, Solderless	1
6	0851–0027	Washer	3
7	0800–0006	Screw, Hex Head	1
8		Breaker, Circuit	
	A044Z215	15A (H-Frame)	1
	A044Z214	20A (H-Frame)	1
	A044Z216	25A (H-Frame)	1
	A044Z213	30A (H-Frame)	1
	A044Z212	40A (H-Frame)	1
	A044Z211	50A (H-Frame)	1
	A044Z210	60A (H-Frame)	1
	A044Z209	70A (H-Frame)	1
	A044Z207	80A (H-Frame)	1
	A044Z206	90A (H-Frame)	1
	A044Z208	100A (H-Frame)	1
9		Bar, Neutral (See Page 235 for Components)	1
10	0800–0003	Screw, Hex Head	2
11	0815–0857–02	Screw, Hex Head	3
12	0815–0781	Screw, Hollow Head	4
13	0821–6001–02	Screw, Hex Head	4
14	A050Y809	Edging	1
15	A050G752	Label, Marking	1
16	A044H599	Label, Neutral	1
17	A044F269	Label, Ground	1
18	A052H541	Edging	1
19	0856–0010	Washer, Lock	4
20	A042N860	Tie, Cable (Not Shown)	1

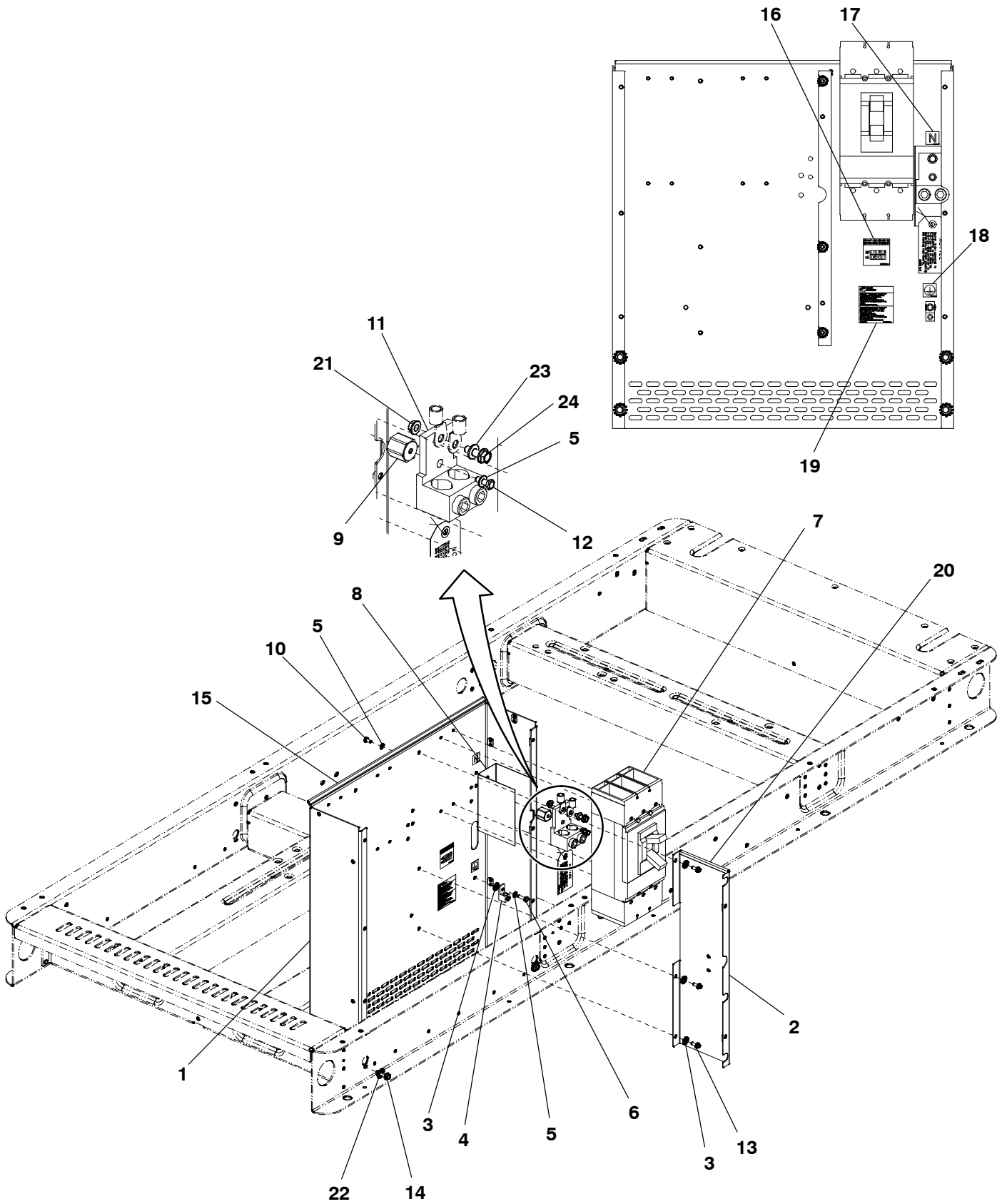
Circuit Breakers (125A–250A) Position “A” (Right Side)



Circuit Breakers (125A–250A) Position “A” (Right Side)

Item	Part No.	Description	Qty
1	A050D494	Box, Circuit Breaker	1
2	A050Y622	Panel, Electrical	1
3	A047U747	Bracket, Circuit Breaker	1
4	0856–0006	Washer, Lock	8
5	0332–3647	Lug, Solderless	1
6	0851–0027	Washer	3
7	0800–0006	Screw, Hex Head	1
8		Breaker, Circuit	
	A044Z205	125A (H-Frame)	1
	A044Z204	150A (H-Frame)	1
	A044Z189	175A (J-Frame)	1
	A044Z187	200A (J-Frame)	1
	A044Z186	225A (J-Frame)	1
	A044Z185	250A (80%) (J-Frame)	1
	A050P695	250A (100%) (J-Frame)	1
9		Bar, Neutral (See Page 234 for Components)	1
10	0800–0003	Screw, Hex Head	2
11	0815–0857–02	Screw, Hex Head	3
12	0815–0781	Screw, Hollow Head	4
13	0821–6001–02	Screw, Hex Head	4
14	A050Y809	Edging	1
15	A050G752	Label, Marking	1
16	A044H599	Label, Neutral	1
17	A044F269	Label, Ground	1
18	A051G977	Label, Marking	1
19	A052H541	Edging	1
20	0856–0010	Washer, Lock	4
21	A042N860	Tie, Cable (Not Shown)	1

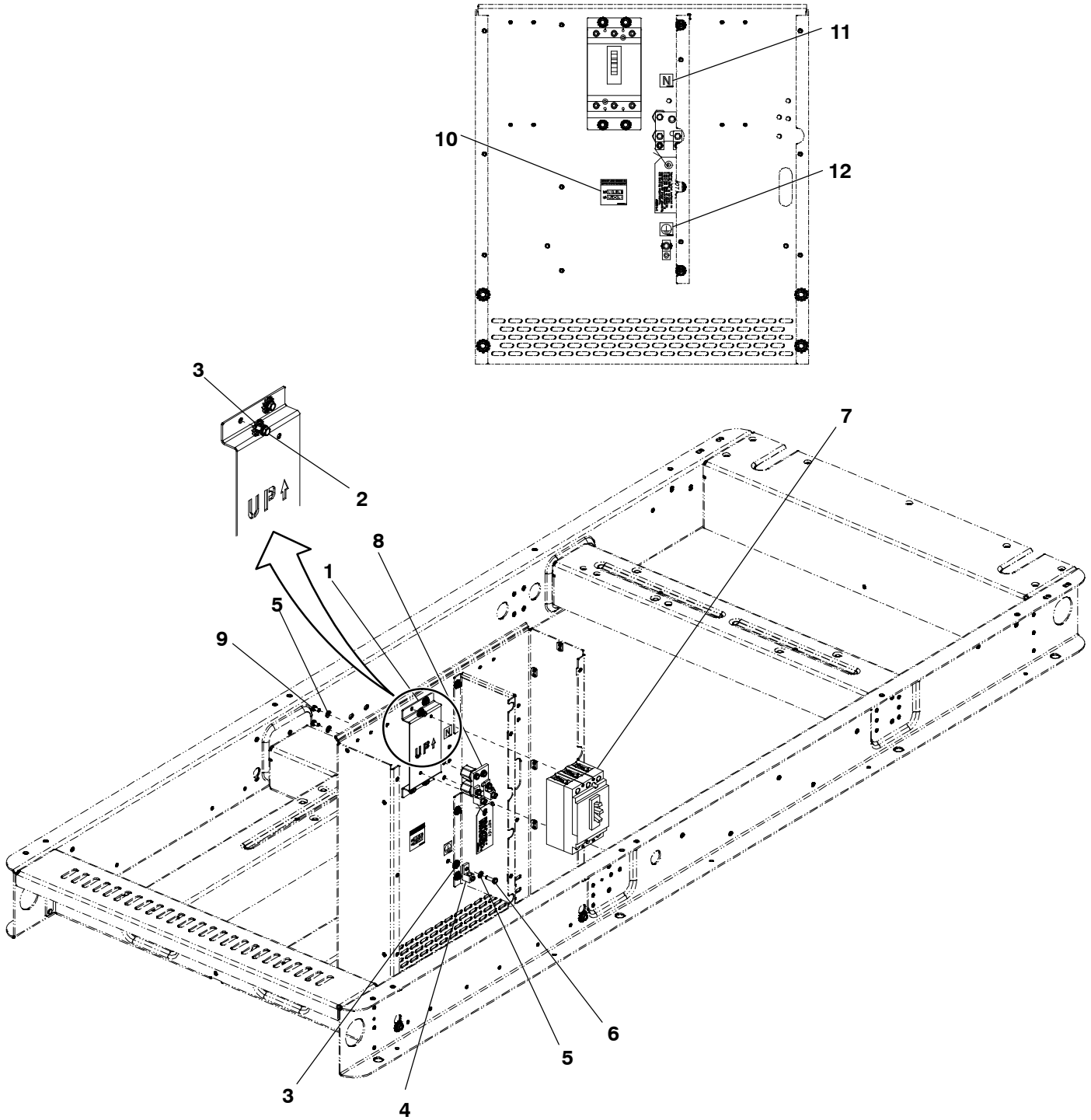
Circuit Breakers (400A–600A) Position “A” (Right Side)



Circuit Breakers (400A–600A) Position “A” (Right Side)

Item	Part No.	Description	Qty
1	A050D494	Box, Circuit Breaker	1
2	A050Y622	Panel, Electrical	1
3	0856–0006	Washer, Lock	4
4	0332–3647	Lug, Solderless	1
5	0851–0027	Washer	3
6	0800–0006	Screw, Hex Head	1
7		Breaker, Circuit	
	A045U169	400A – 80% Electronic LSI (L-Frame)	1
	A052T045	400A – 100% Electronic LSI (L-Frame)	1
	A045U164	600A – 80% Electronic LSI (L-Frame)	1
8	A050F602	Barrier, Phase	1
9	0332–3597	Standoff, Insulator	1
10	0800–0003	Screw, Hex Head	1
11	A050R300	Lug, Solderless	1
12	0800–0005	Screw, Hex Head	1
13	0815–0857–02	Screw, Hex Head	3
14	0815–0781	Screw, Hollow Head	4
15	A050Y809	Edging	1
16	A050G752	Label, Marking	1
17	A044H599	Label, Neutral	1
18	A044F269	Label, Ground	1
19	A050G754	Label, Marking	1
20	A052H541	Edging	1
21	0870–2055	Nut, Flange Lock	1
22	0856–0010	Washer, Lock	4
23	0851–0028	Washer	1
24	0815–0954–03	Screw, Flange Head	1
25	A042N860	Tie, Cable (Not Shown)	1

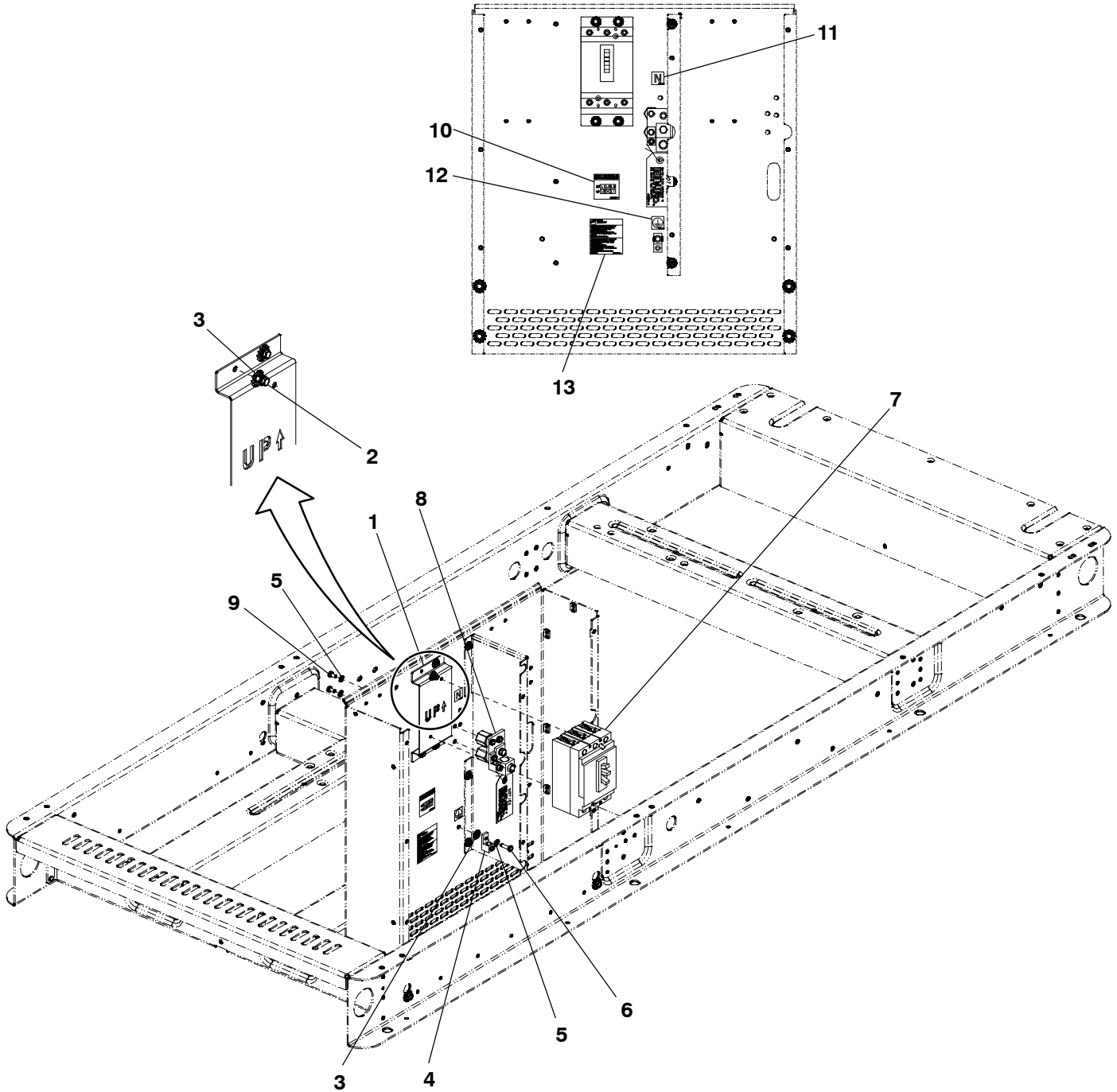
Circuit Breakers (15A–100A) Position “B” (Center)



Circuit Breakers (15A–100A) Position “B” (Center)

Item	Part No.	Description	Qty
1	A047U747	Bracket, Circuit Breaker	1
2	0821–6001–02	Screw, Hex Head	4
3	0856–0006	Washer, Lock	5
4	0332–3647	Lug, Solderless	1
5	0851–0027	Washer	3
6	0800–0006	Screw, Hex Head	1
7		Breaker, Circuit	
	A044Z215	15A (H-Frame)	1
	A044Z214	20A (H-Frame)	1
	A044Z216	25A (H-Frame)	1
	A044Z213	30A (H-Frame)	1
	A044Z212	40A (H-Frame)	1
	A044Z211	50A (H-Frame)	1
	A044Z210	60A (H-Frame)	1
	A044Z209	70A (H-Frame)	1
	A044Z207	80A (H-Frame)	1
	A044Z206	90A (H-Frame)	1
	A044Z208	100A (H-Frame)	1
8		Bar, Neutral (See Page 234 for Components)	1
9	0800–0003	Screw, Hex Head	2
10	A050G752	Label, Marking	1
11	A044H599	Label, Neutral	1
12	A044F269	Label, Ground	1
13	A042N860	Tie, Cable (Not Shown)	1

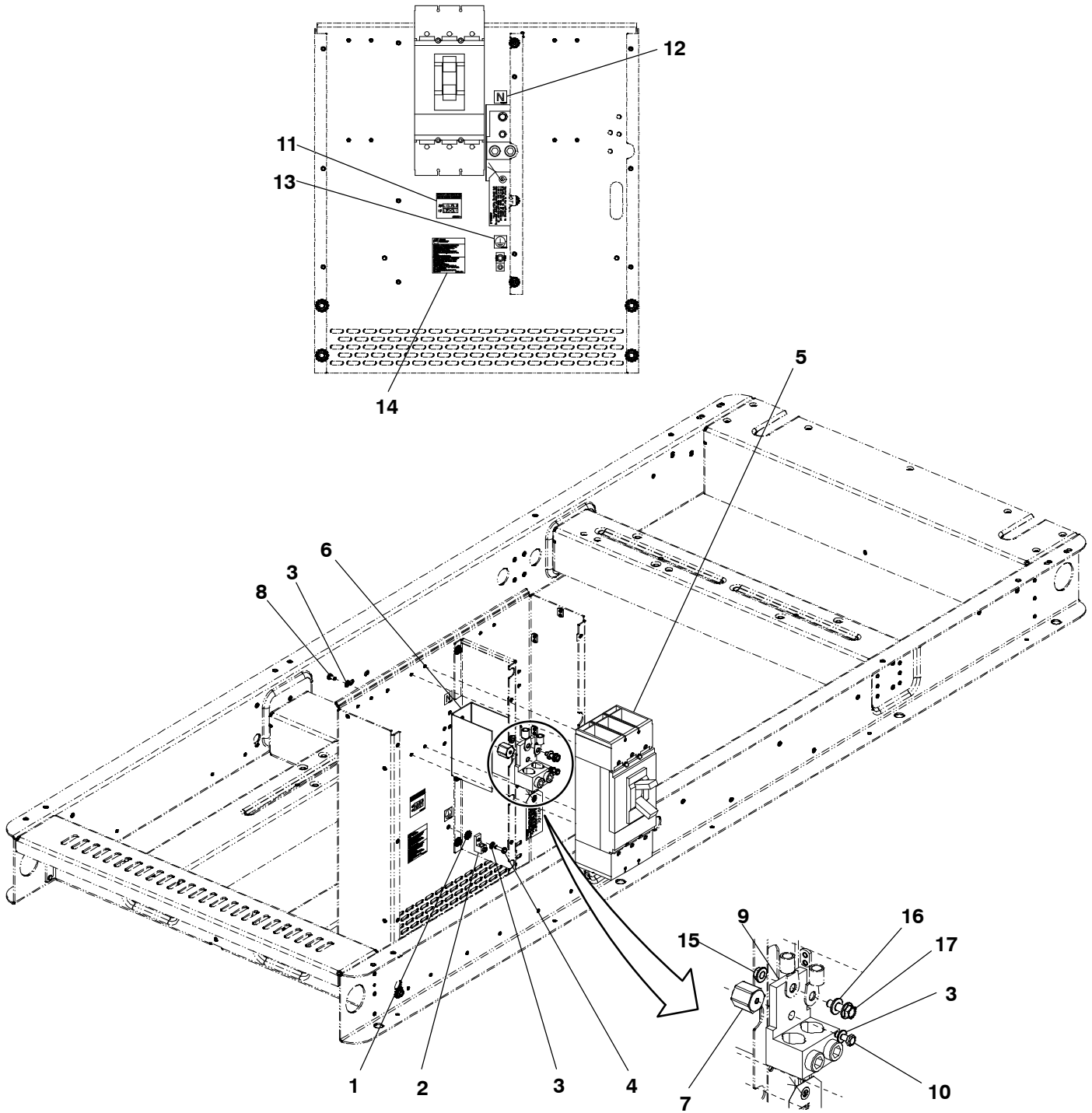
Circuit Breakers (125A–250A) Position “B” (Center)



Circuit Breakers (125A–250A) Position “B” (Center)

Item	Part No.	Description	Qty
1	A047U747	Bracket, Circuit Breaker	1
2	0821–6001–02	Screw, Hex Head	4
3	0856–0006	Washer, Lock	5
4	0332–3647	Lug, Solderless	1
5	0851–0027	Washer	3
6	0800–0006	Screw, Hex Head	1
7		Breaker, Circuit	
	A044Z205	125A (H-Frame)	1
	A044Z204	150A (H-Frame)	1
	A044Z189	175A (J-Frame)	1
	A044Z187	200A (J-Frame)	1
	A044Z186	225A (J-Frame)	1
	A044Z185	250A – 80% Electronic LSI (J-Frame)	1
	A050P695	250A – 100% Electronic LSI (J-Frame)	1
8		Bar, Neutral (See Page 234 for Components)	1
9	0800–0003	Screw, Hex Head	2
10	A050G752	Label, Marking	1
11	A044H599	Label, Neutral	1
12	A044F269	Label, Ground	1
13	A051G977	Label, Marking	1
14	A042N860	Tie, Cable (Not Shown)	1

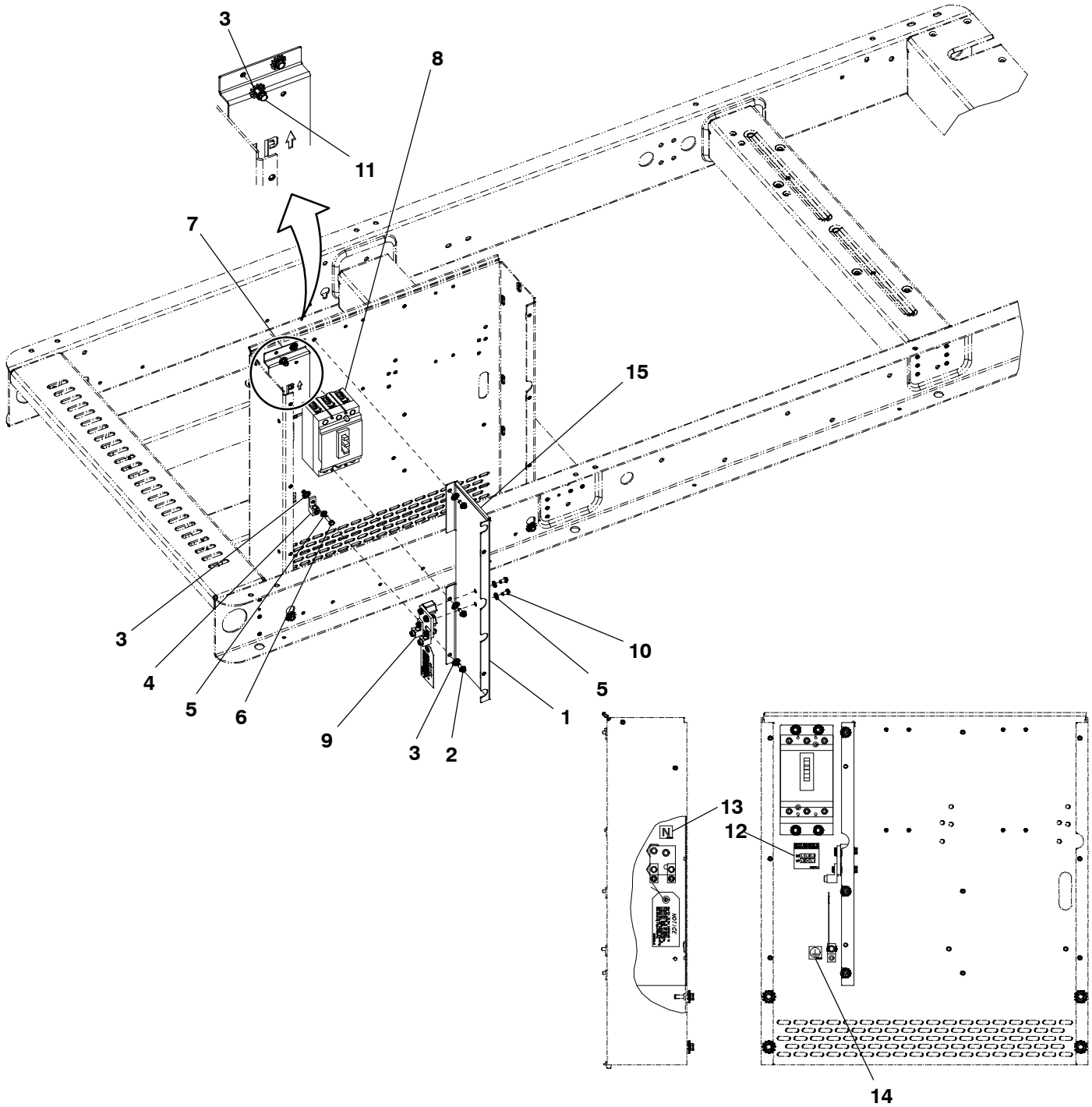
Circuit Breakers (400A–600A) Position “B” (Center)



Circuit Breakers (400A–600A) Position “B” (Center)

Item	Part No.	Description	Qty
1	0856–0006	Washer, Lock	1
2	0332–3647	Lug, Solderless	1
3	0851–0027	Washer	3
4	0800–0006	Screw, Hex Head	1
5		Breaker, Circuit	
	A045U169	400A – 80% Electronic LSI (L-Frame)	1
	A052T045	400A – 100% Electronic LSI (L-Frame)	1
	A045U164	600A – 80% Electronic LSI (L-Frame)	1
6	A050F602	Barrier, Phase	1
7	0332–3597	Standoff, Insulator	1
8	0800–0003	Screw, Hex Head	1
9	A050R300	Lug, Solderless	1
10	0800–0005	Screw, Hex Head	1
11	A050G752	Label, Marking	1
12	A044H599	Label, Neutral	1
13	A044F269	Label, Ground	1
14	A051G977	Label, Marking	1
15	0870–2055	Nut, Flange Lock	1
16	0851–0028	Washer	1
17	0815–0954–03	Screw, Flange Head	1
18	A042N860	Tie, Cable (Not Shown)	1

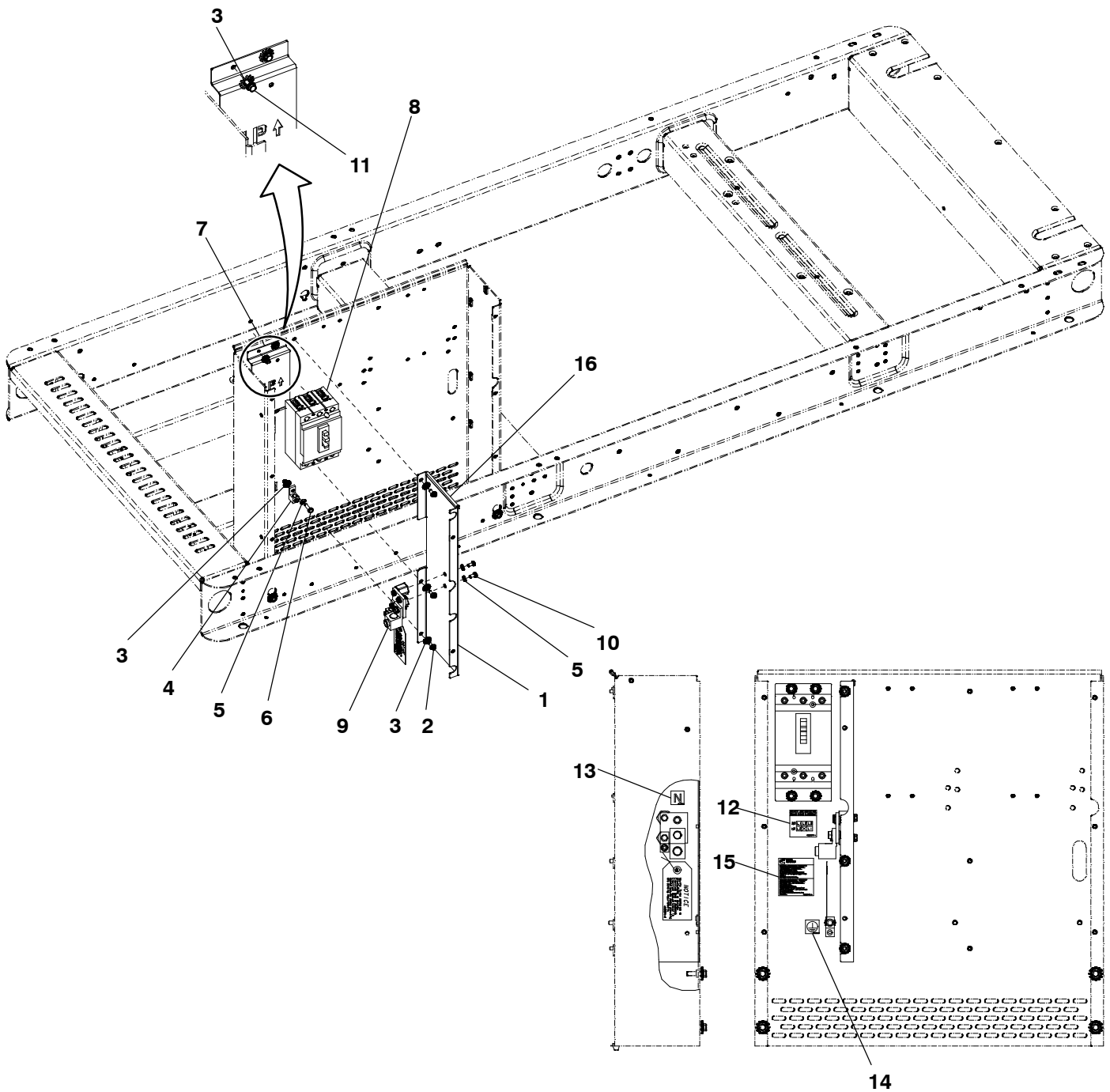
Circuit Breakers (15A–100A) Position “C” (Left Side)



Circuit Breakers (15A–100A) Position “C” (Left Side)

Item	Part No.	Description	Qty
1	A050Y622	Panel, Electrical	1
2	0815–0857–02	Panel, Electrical	3
3	0856–0006	Washer, Lock	1
4	0332–3647	Lug, Solderless	1
5	0851–0027	Washer	3
6	0800–0006	Screw, Hex Head	1
7	A047U747	Bracket, Circuit Breaker	1
8		Breaker, Circuit	
	A044Z215	15A (H-Frame)	1
	A044Z214	20A (H-Frame)	1
	A044Z216	25A (H-Frame)	1
	A044Z213	30A (H-Frame)	1
	A044Z212	40A (H-Frame)	1
	A044Z211	50A (H-Frame)	1
	A044Z210	60A (H-Frame)	1
	A044Z209	70A (H-Frame)	1
	A044Z207	80A (H-Frame)	1
	A044Z206	90A (H-Frame)	1
	A044Z208	100A (H-Frame)	1
9		Bar, Neutral (See Page 235 for Components)	1
10	0800–0003	Screw, Hex Head	2
11	0821–6001–02	Screw, Hex Head	4
12	A050G752	Label, Marking	1
13	A044H599	Label, Neutral	1
14	A044F269	Label, Ground	1
15	A052H541	Edging	1
16	A042N860	Tie, Cable (Not Shown)	1

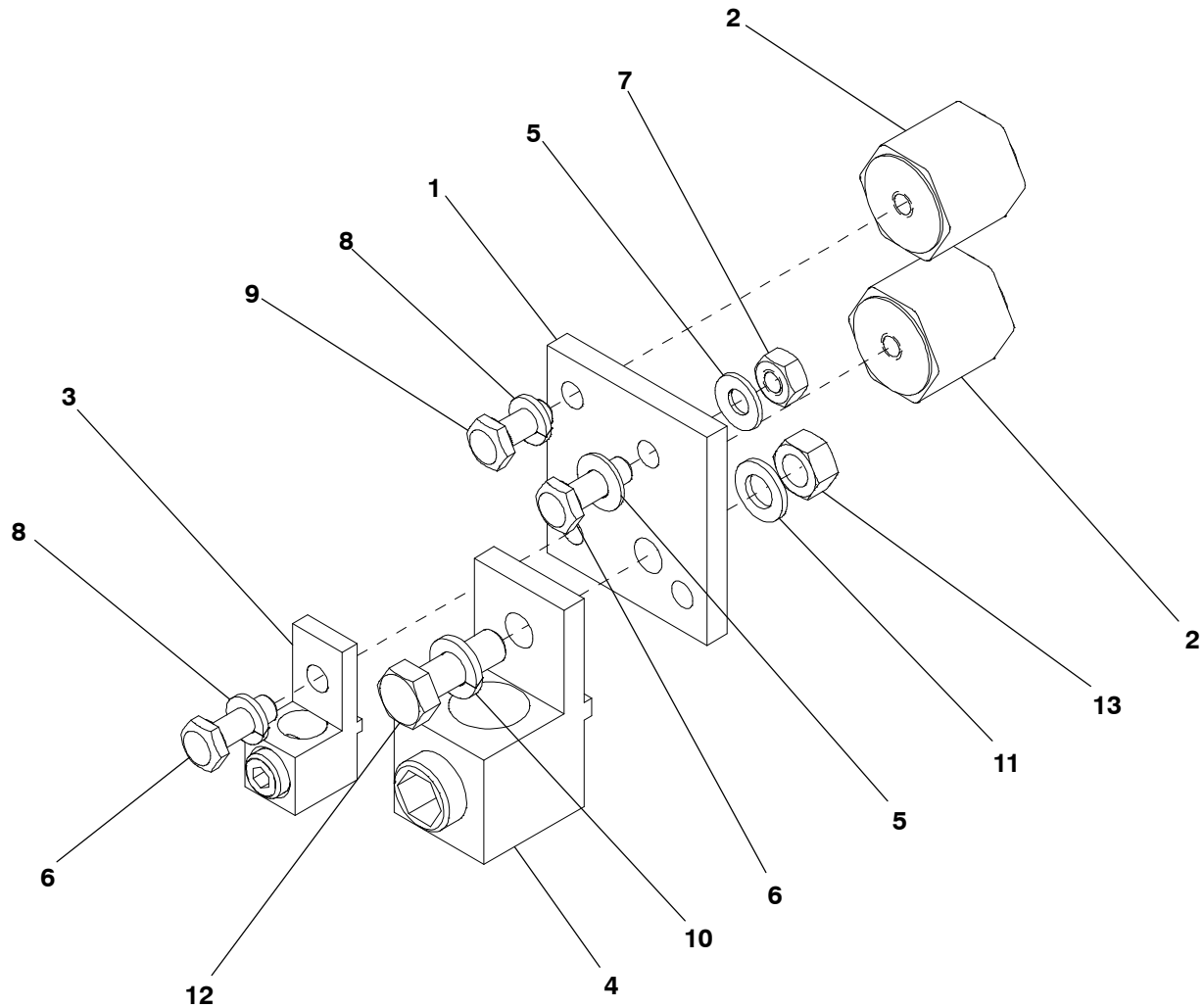
Circuit Breakers (125A–250A) Position “C” (Left Side)



Circuit Breakers (125A–250A) Position “C” (Left Side)

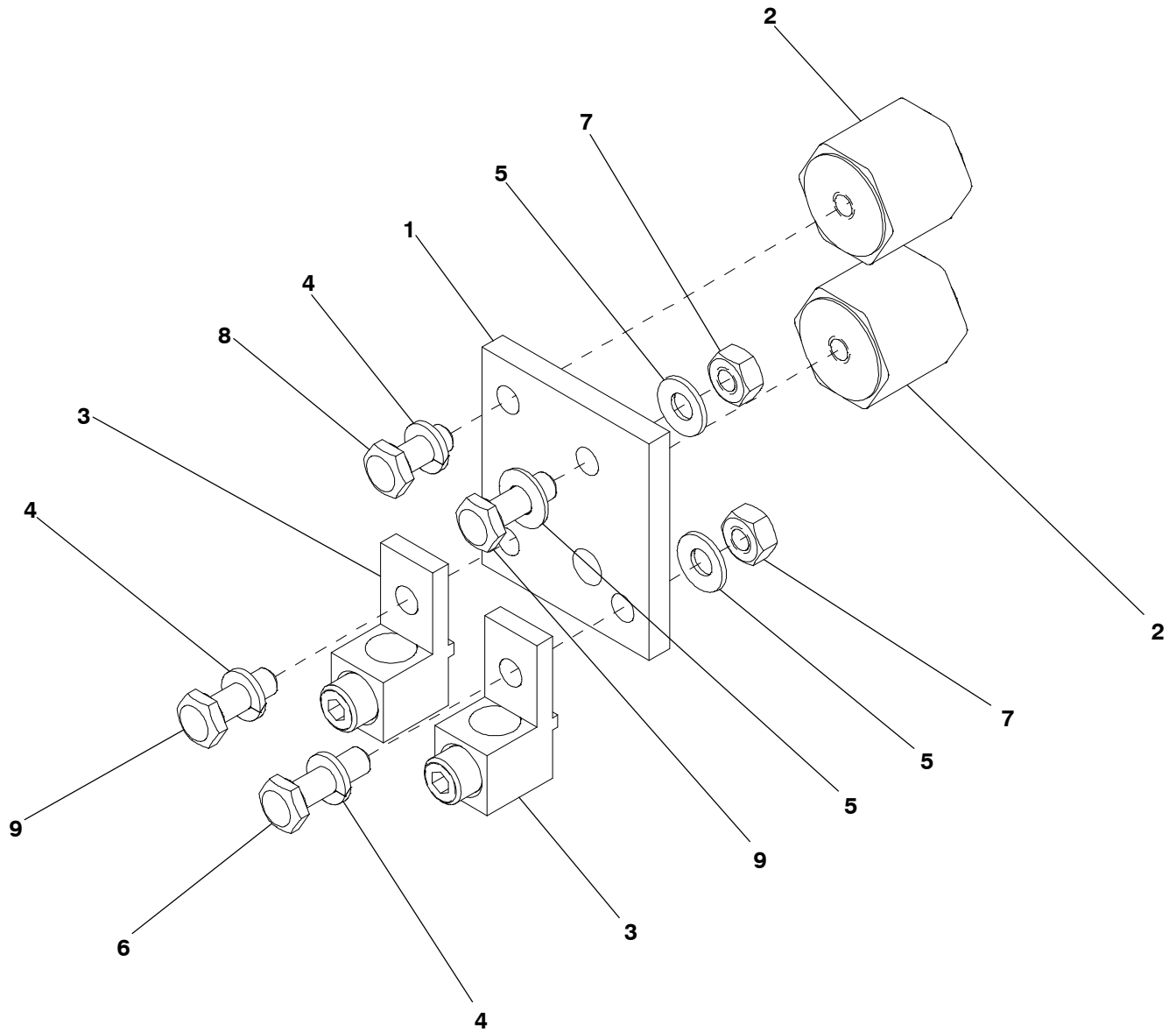
Item	Part No.	Description	Qty
1	A050Y622	Panel, Electrical	1
2	0815–0857–02	Screw, Hex Head	3
3	0856–0006	Washer, Lock	1
4	0332–3647	Lug, Solderless	1
5	0851–0027	Washer	3
6	0800–0006	Screw, Hex Head	1
7	A047U747	Bracket, Circuit Breaker	1
8		Breaker, Circuit	
	A044Z205	125A (H-Frame)	1
	A044Z204	150A (H-Frame)	1
	A044Z189	175A (J-Frame)	1
	A044Z187	200A (J-Frame)	1
	A044Z186	225A (J-Frame)	1
	A044Z185	250A (80%) (J-Frame)	1
	A050P695	250A (100%) (J-Frame)	1
9		Bar, Neutral (See Page 234 for Components)	1
10	0800–0003	Screw, Hex Head	2
11	0821–6001–02	Screw, Hex Head	4
12	A050G752	Label, Marking	1
13	A044H599	Label, Neutral	1
14	A044F269	Label, Ground	1
15	A051G977	Label, Marking	1
16	A052H541	Edging	1
17	A042N860	Tie, Cable (Not Shown)	1

Neutral Bar



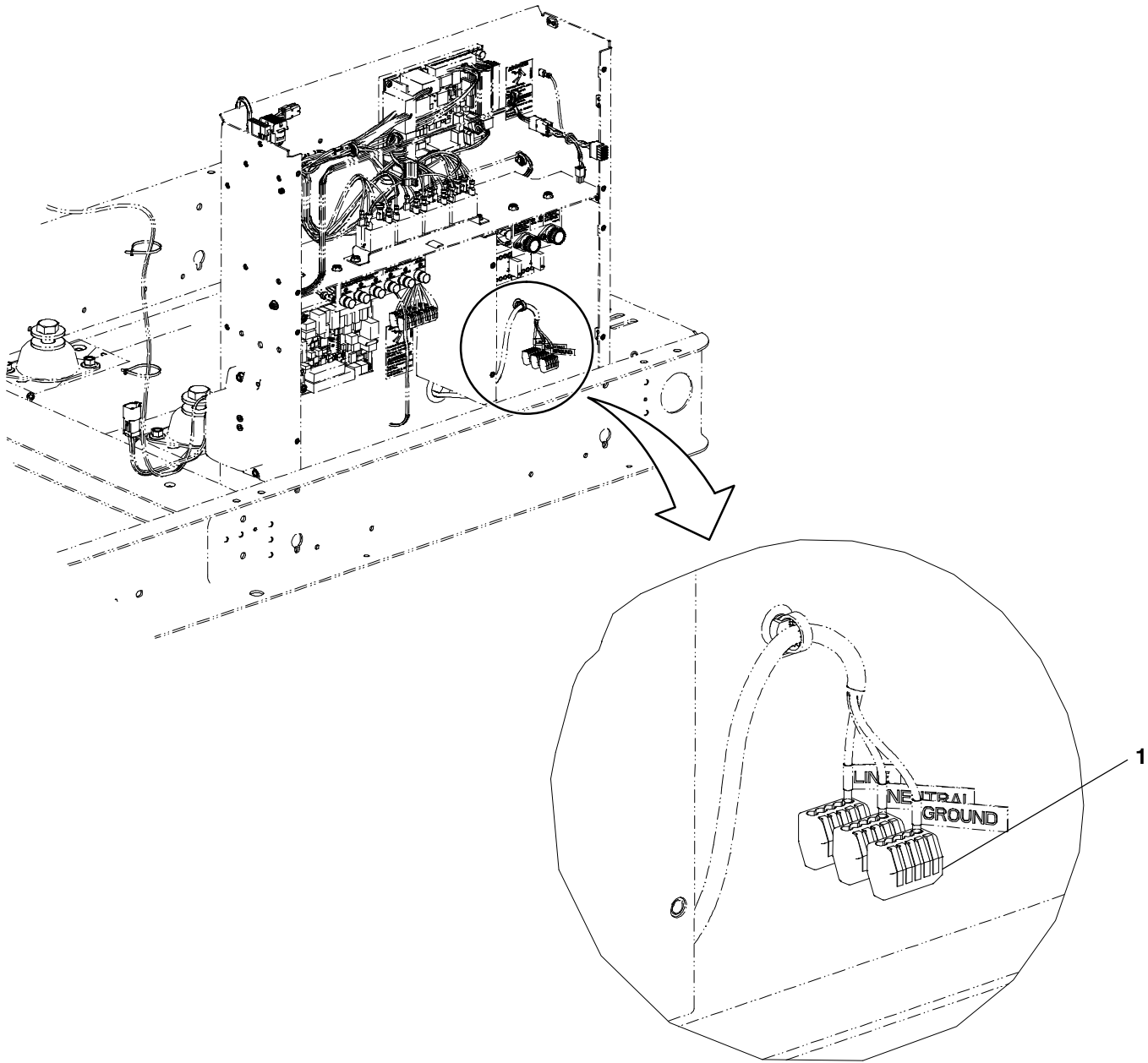
Item	Part No.	Description	Qty
1	A050N784	Busbar, Neutral	1
2	0332-3597	Standoff, Insulator	2
3	0332-3084	Lug, Solderless	1
4	A047D352	Lug, Solderless	1
5	0851-0027	Washer	2
6	0800-0005	Screw, Hex Head	2
7	0862-0001	Nut, Hex	1
8	0850-2006	Washer, Lock	2
9	0800-0004	Screw, Hex Head	1
10	0850-2008	Washer, Lock	1
11	0526-2101	Washer, Flat	1
12	0800-3017-20	Screw, Hex Head	1
13	0860-2008	Nut	1

Neutral Bar



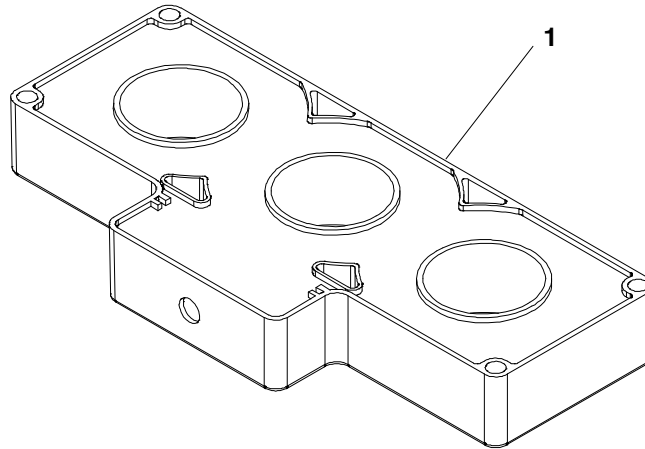
Item	Part No.	Description	Qty
1	A050N784	Busbar, Neutral	1
2	0332-3597	Standoff, Insulator	2
3	0332-3084	Lug, Solderless	2
4	0850-2006	Washer, Lock	3
5	0851-0027	Washer	3
6	0800-0006	Screw, Hex Head	1
7	0862-0001	Nut, Hex	2
8	0800-0004	Screw, Hex Head	1
9	0800-0005	Screw, Hex Head	2

Terminal Block



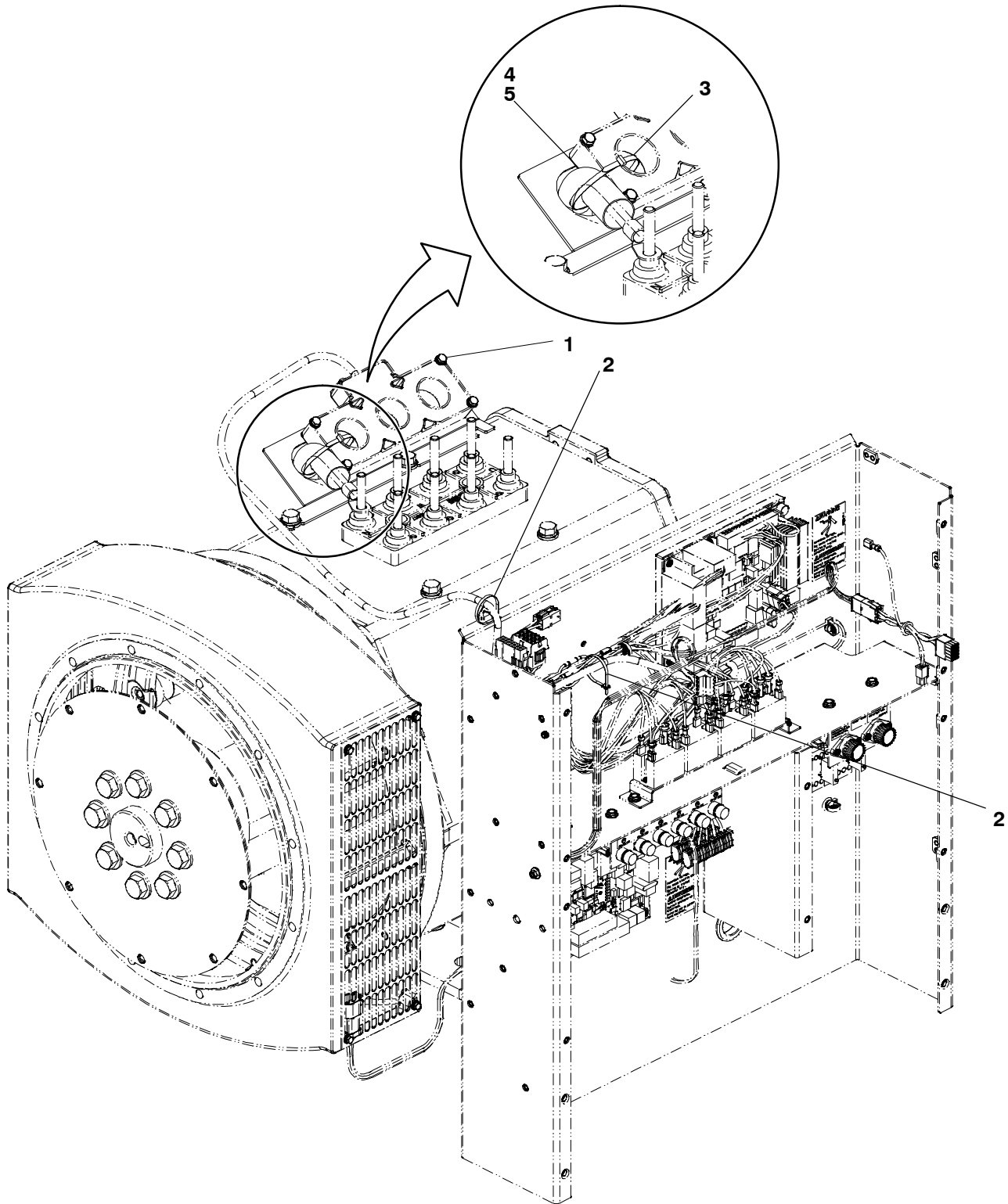
Item	Part No.	Description	Qty
1	A046D267	Connector, Terminal Block	3

Current Transformer



Item	Part No.	Description	Qty
1		Transformer, Current	
	A047V389	CT Primary (A) 150/300	3
	A047V393	CT Primary (A) 200/400	3
	A047V394	CT Primary (A) 250/500	3
	A047V395	CT Primary (A) 300/600	3
	A047V396	CT Primary (A) 400/800	3
	A047V397	CT Primary (A) 450/900	3

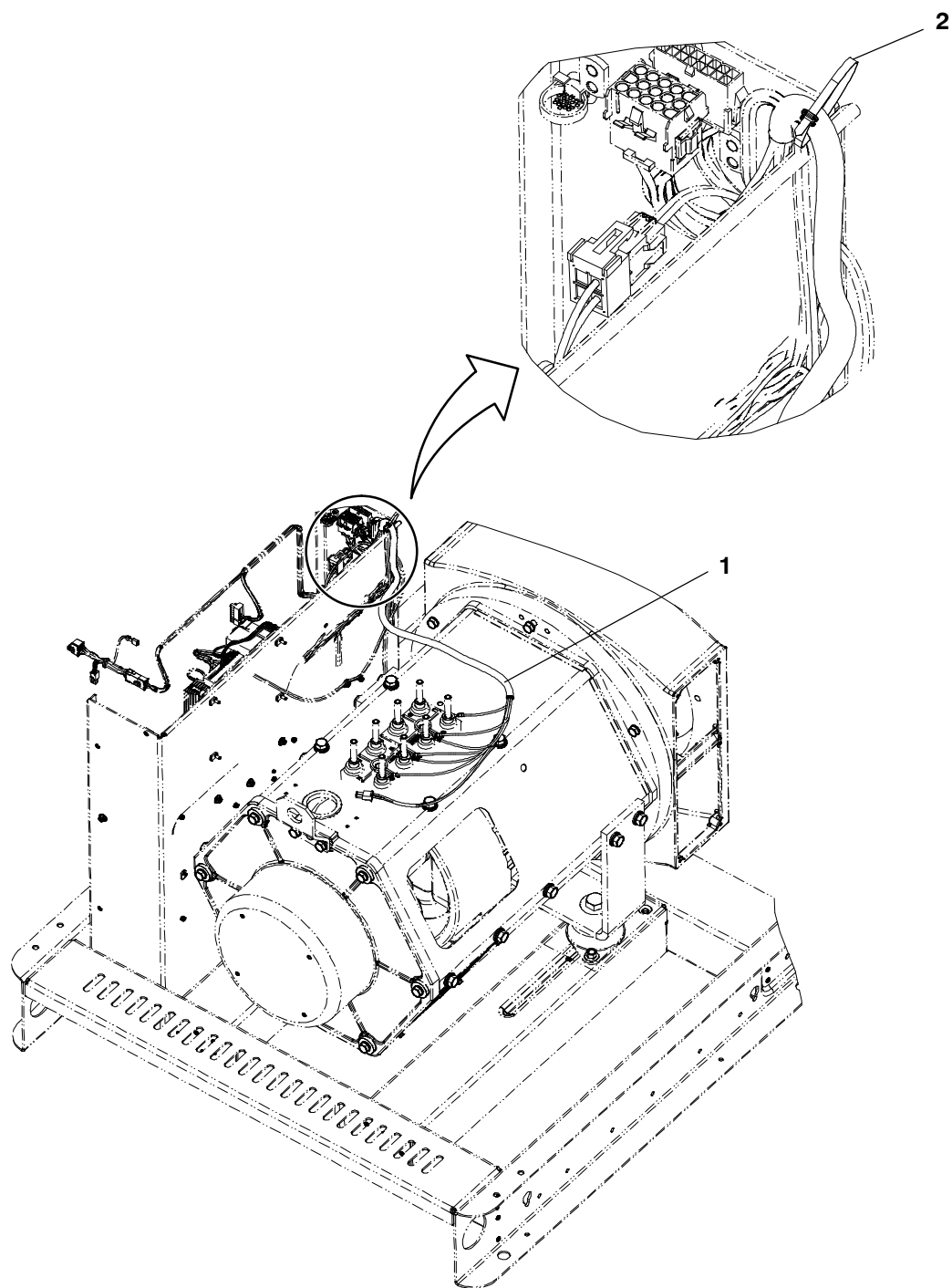
Current Transformer Mounting



Current Transformer Mounting

Item	Part No.	Description	Qty
1	0821-6002-08	Screw, Hex Head	4
2	0332-1794	Tie, Cable	2
3	0332-1389	Tie, Cable	1
4	0898-1389	Sleeve, Braided	1
5	0898-1345-07	Sleeve, Flexible	0.7

AC Harness



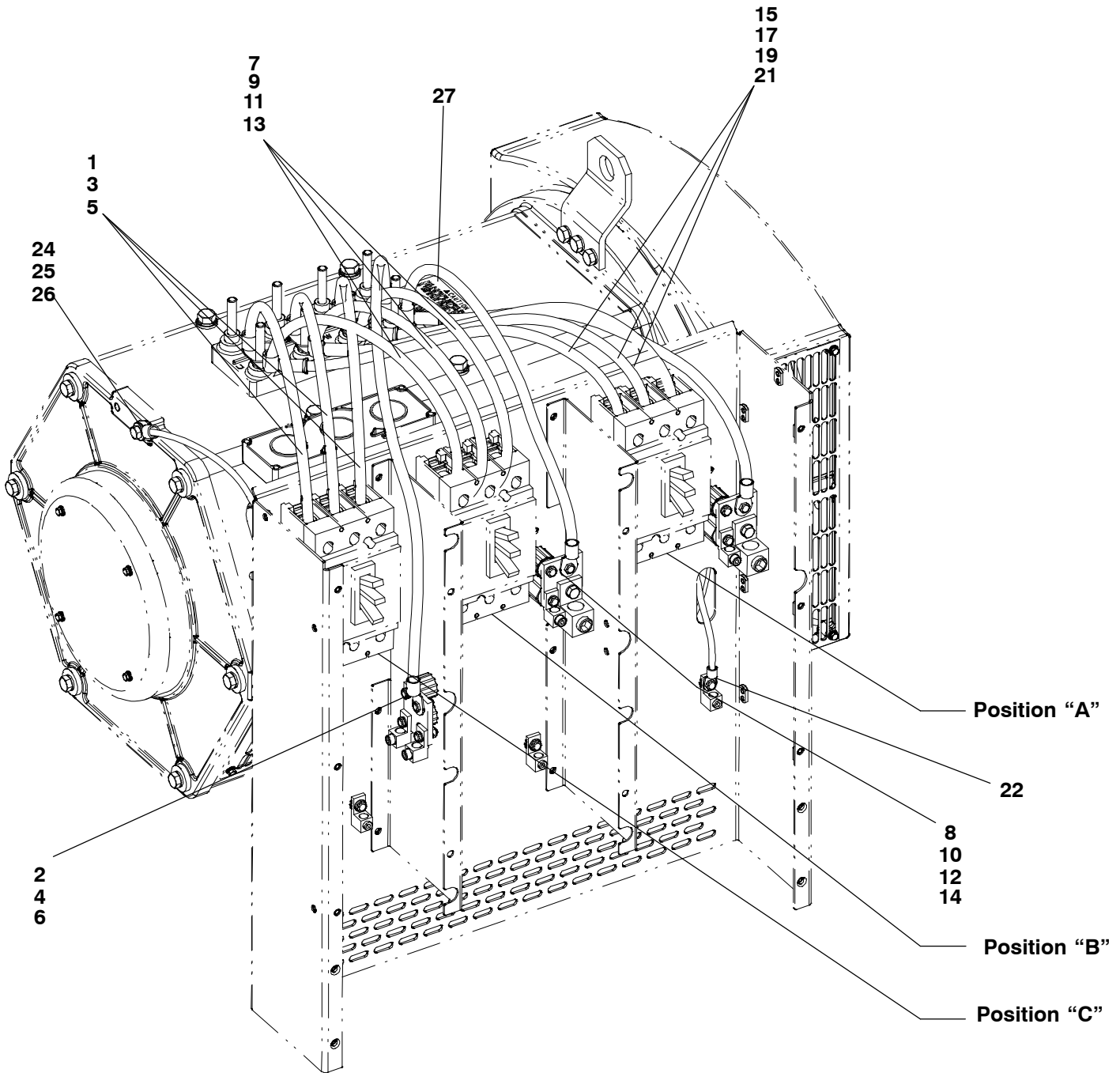
Item	Part No.	Description	Qty
1	A048C835	Harness, Alternating Current	1
2	0332-1794	Tie, Cable	1

Generator Electrical Harness



Item	Part No.	Description	Qty
1	A047K762	Harness, Generator Electrical	1
2	0323-2397	Plug, Electrical	1
3	0334-1354	Cable, Shielded	A/R
4	0323-1492	Socket, Terminal	3
5	0323-1624	Wedge, Plug	1
	0332-1789	Splice, Window (Not Shown)	3

Leads



Leads

Item	Part No.	Description	Qty
1		Lead	
	A050R837	3 Phase, 4 Wire	3
	A050R837	1 Phase, 3 Wire	2
2	A050R831	Lead	1
3		Lead	
	A050R845	3 Phase, 4 Wire	3
	A050R845	1 Phase, 3 Wire	2
4	A050R841	Lead	1
5		Lead	
	A050R851	3 Phase, 4 Wire	3
	A050R851	1 Phase, 3 Wire	2
6	A050R849	Lead	1
7		Lead	
	A050R836	3 Phase, 4 Wire	3
	A050R836	1 Phase, 3 Wire	2
8	A050R829	Lead	1
9		Lead	
	A050R844	3 Phase, 4 Wire	3
	A050R844	1 Phase, 3 Wire	2
10	A050R839	Lead	1
11		Lead	3
	A050R850	3 Phase, 4 Wire	3
	A050R850	1 Phase, 3 Wire	2
12	A050R848	Lead	1
13		Lead	
	A050R846	3 Phase, 4 Wire	6
	A050R846	1 Phase, 3 Wire	2
14	A050R840	Lead	2
15		Lead	3
	A050R838	3 Phase, 4 Wire	2
	A050R838	1 Phase, 3 Wire	3
16	A050R832	Lead	1
17		Lead	
	A050R843	3 Phase, 4 Wire	3
	A050R843	1 Phase, 3 Wire	2
18	A050R842	Lead	2
19		Lead	
	A050R854	3 Phase, 4 Wire	3
	A050R854	1 Phase, 3 Wire	2
20	A050R847	Lead	1
		Continued...	

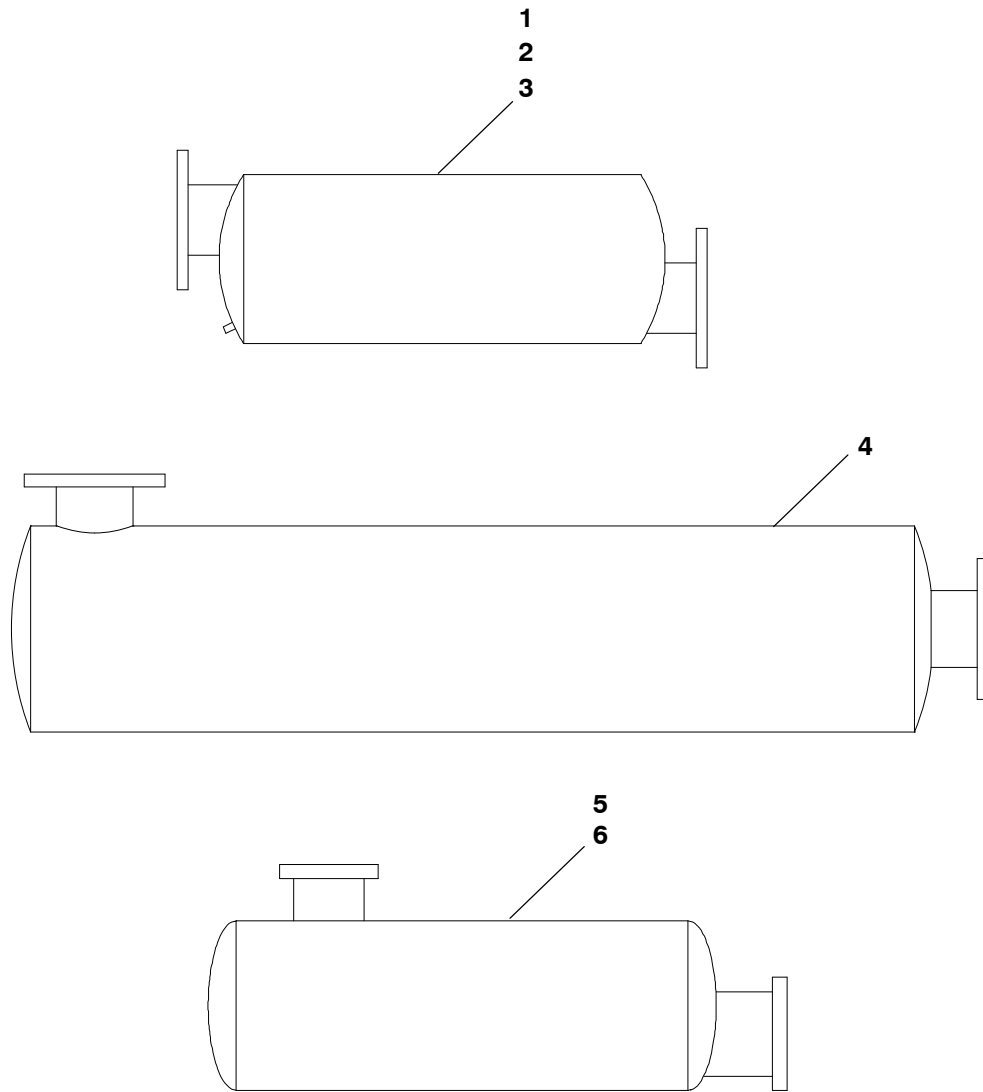
Leads

Item	Part No.	Description	Qty
		Continued...	
21		Lead	
	A050R857	3 Phase, 4 Wire	3
	A050R857	1 Phase, 3 Wire	2
22	A050R856	Lead (Includes A048V222 Cable Lead)	1
23	0332-3008	Tie, Cable	6
24	0850-0114-55	Washer, Lock	1
25	0526-0399-62	Washer, Flat	1
26	0800-3017-36	Screw, Hex Head	1
27	A052N595	Label, Information	1
	0332-0162	Terminal, Ring (Not Shown)	1
	A035B577	Terminal, Ring (.38) (Not Shown)	1
	0332-2987	Link, Terminal (Not Shown)	4

This page is Intentionally blank.

Accessories and Kits

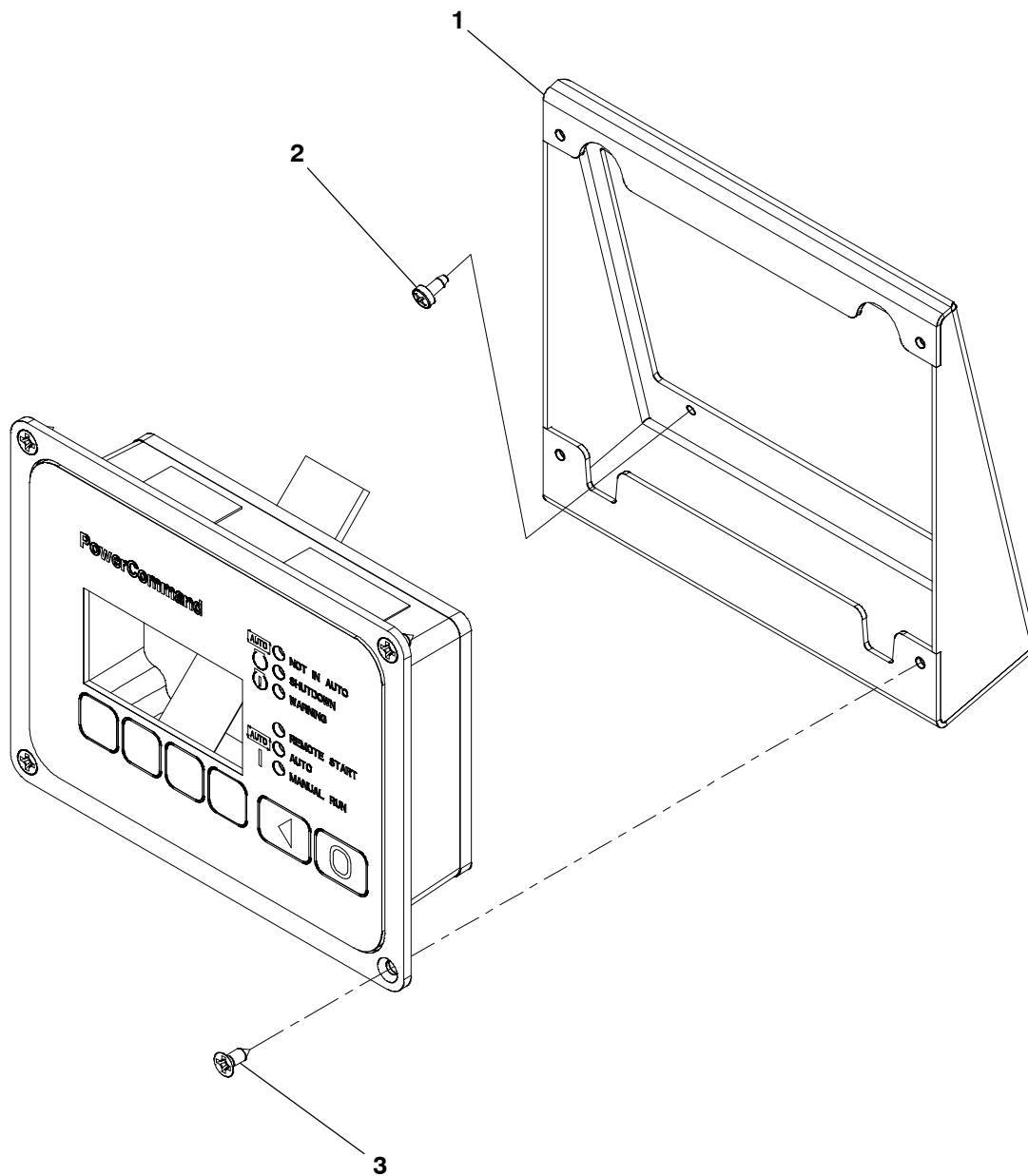
Muffler



Muffler

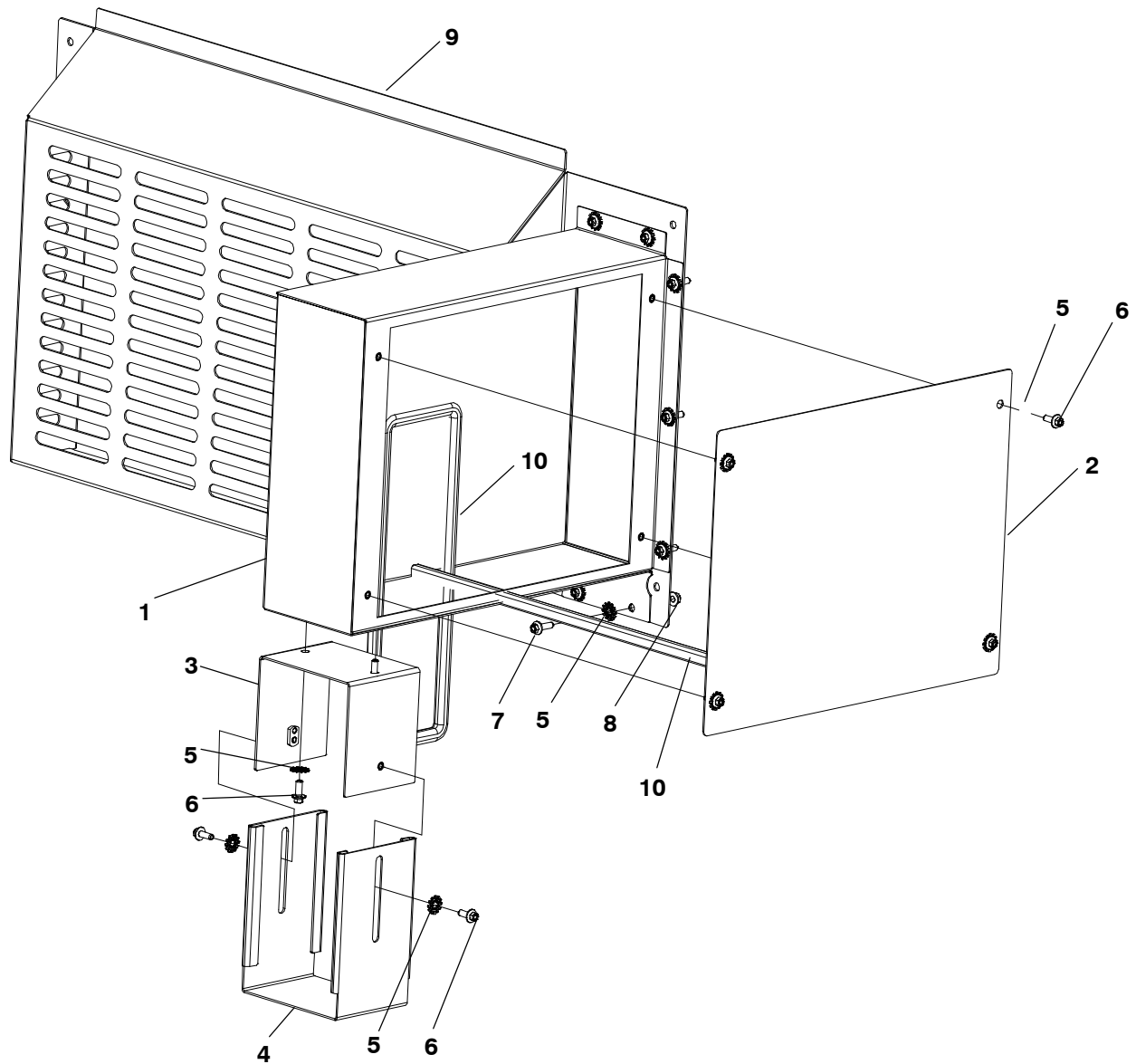
Item	Part No.	Description	Qty
1		Muffler, Industrial	
	0155-2063-02	C45 N6, C50 N6, C60 N6	1
	0155-2063-04	C70 N6, C80 N6, C100 N6	1
2		Muffler, Residential	
	0155-2064-02	C45 N6, C50 N6, C60 N6	1
	0155-2064-04	C70 N6, C80 N6, C100 N6	1
3		Muffler, Critical	
	0155-2065-02	C45 N6, C50 N6, C60 N6	1
	0155-2065-04	C70 N6, C80 N6, C100 N6	1
4		Muffler, Industrial	
	0155-2340-06	C70 N6, C80 N6, C100 N6 (4" NPT)	1
	0155-2340-07	C45 N6, C50 N6, C60 N6 (3" NPT)	1
5		Muffler, Residential	
	0155-2341-06	C70 N6, C80 N6, C100 N6 (4" NPT)	1
	0155-2341-07	C45 N6, C50 N6, C60 N6 (3" NPT)	1
6		Muffler, Critical	
	0155-2342-06	C70 N6, C80 N6, C100 N6 (4" NPT)	1
	0155-2342-07	C45 N6, C50 N6, C60 N6 (3" NPT)	1

Control Panel Electrics Kit



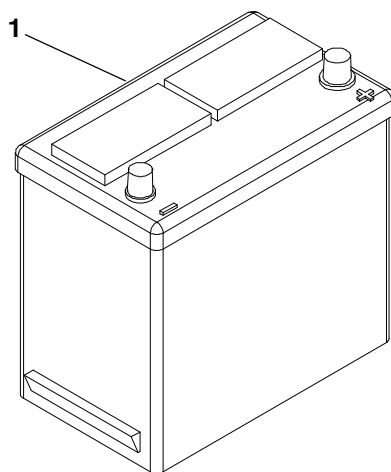
Item	Part No.	Description	Qty
1	A060H419	Bracket, Control Mounting	1
2	0815-0959-02	Screw, Pan Head	4
3	0814-2155-01	Screw, Flat Head	4

Top Load Entry Box Kit



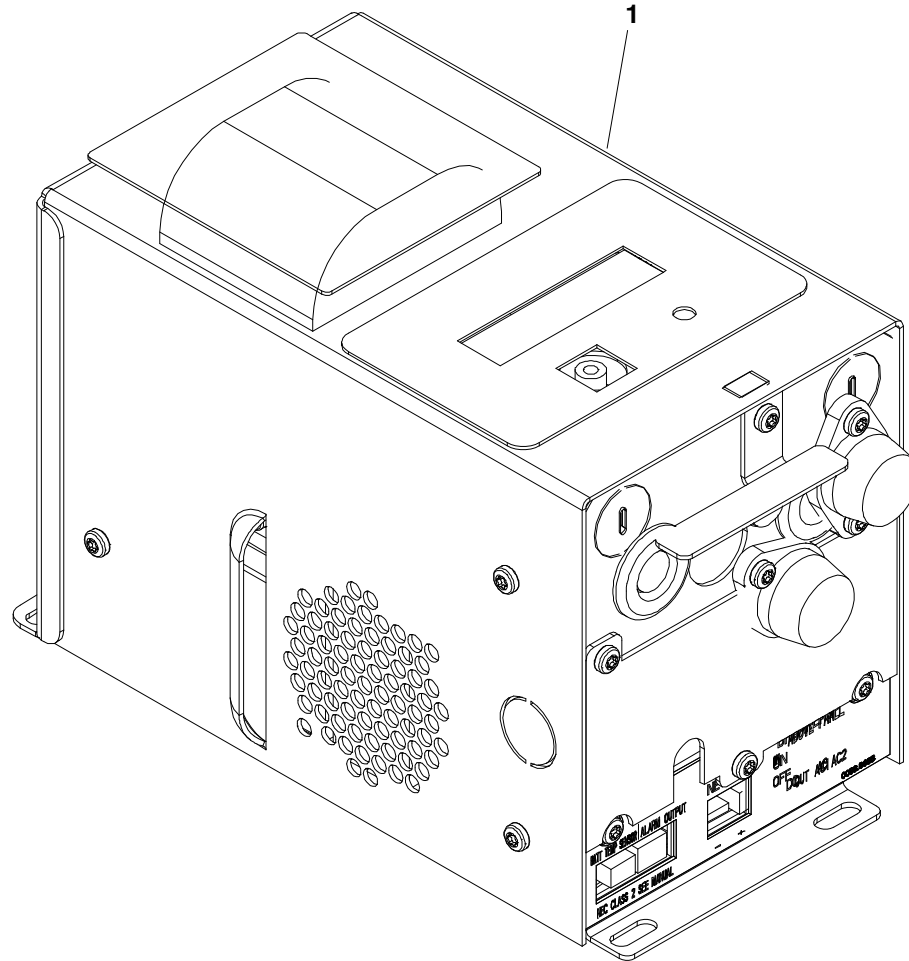
Item	Part No.	Description	Qty
1	A061E686	Box, Entrance	1
2	A061E716	Cover, Box	1
3	A061F996	Base, Mounting	1
4	A061F990	Base, Mounting	1
5	0856-0006	Washer, Lock	15
6	0815-0857-02	Screw, Hex Head	8
7	0815-0857-03	Screw, Hex Head	7
8	0870-2065-02	Nut, Hex Flange	7
9	A061M694	Guard, Alternator	1
10	0508-1287	Edging	2

Battery



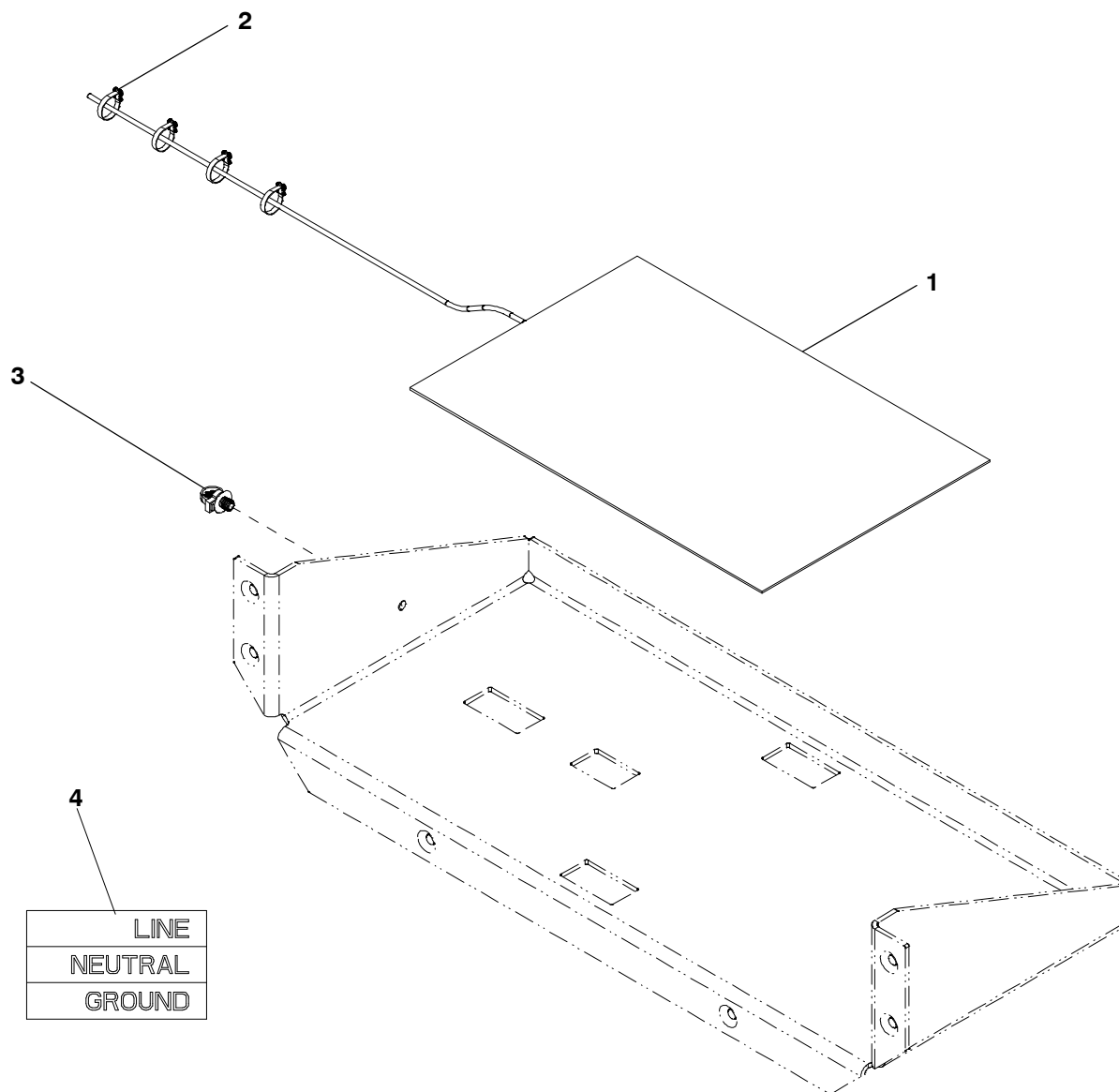
Item	Part No.	Description	Qty
1		Battery	
	A030Y976	1080 Cold Cranking Amps	1
	A045P632	850 Cold Cranking Amps	1

Battery Charger – Stand Alone (15A)



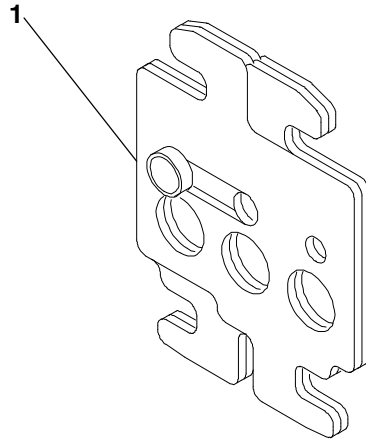
Item	Part No.	Description	Qty
1		Charger, Battery	
	0300-5878-01	120, 208, 240 VAC	1
	0300-5878-02	277 VAC	1
	0300-5878-03	380 VAC	1
	0300-5878-04	416 VAC	1
	0300-5878-05	480 VAC	1
	0300-5878-06	600 VAC	1

Battery Heater Kit



Item	Part No.	Description	Qty
1	A051B653	Heater, Battery	1
2	0332-1794	Tie, Cable	4
3	A044D694	Tie, Cable	1
4	A046G477	Label, Marking	1

Plate Lock



Item	Part No.	Description	Qty
1	0406-1234	Lock Out – Circuit Breaker	1

Pipe Package Exhaust Kit

Item	Part No.	Description	Qty
1	0155-2707	Kit, Pipe Package – Exhaust (C45 N6, C50 N6, C60 N6) – Includes the following 2 parts	
	0505-0387	Nipple, Half	2
	0505-0327	Coupling, Pipe	2
2	0155-2810	Kit, Pipe Package – Exhaust (C70 N6, C80 N6, C100 N6) – Includes the following 2 parts	
	0505-0411	Coupling, Pipe (4")	1
	0505-0382	Nipple, Pipe (3" x 2-5/8")	1
3	0155-2707	Kit, Pipe Package – Exhaust (C45 N6, C50 N6, C60 N6) – Includes the following part	
	0505-0453	Elbow, 90° Pipe (3")	2
4	0155-2812	Kit, Pipe Package – Exhaust (C45 N6, C50 N6, C60 N6) – Includes the following 2 parts	
	0505-0387	Nipple, Half	2
	0505-0453	Elbow, Pipe	1
5	0155-2813	Kit, Pipe Package – Exhaust (C70 N6, C80 N6, C100 N6) – Includes the following 2 parts	
	0505-0171	Elbow, 90° Pipe (4")	1
	0505-0382	Nipple, Pipe (3" x 2-5/8")	1

Remote HMI Display Kit (HMI 220)

Item	Part No.	Description	Qty
	A041J582	Kit, Remote HMI 220 (Includes the Following Parts)	1
1	0300-6314-03	Control, Genset	1
2	0323-2091	Connector, Plug	1
3	0323-2456	Connector, Plug	1
4	0323-2466	Contact, Socket	19

Remote HMI Display Kit (HMI 211 RS)

Item	Part No.	Description	Qty
	A046K103	Kit, Remote HMI 211 RS (Includes the Following Parts)	1
1	A043W114	Display, Control	1
2	0332-1794	Tie, Cable	3
3	0332-1789	Splice, Window	12
4	0338-4906	Harness, Wiring	2

Remote HMI Display Kit (HMI 112) (Bargraph)

	A045J203	Kit, Remote HMI 112 (Includes the Following Parts)	1
1	0300-6050-03	Display, Control	1
2	0323-2192-01	Connector, Plug	1
3	0332-1794	Tie, Cable	3
4	0332-1789	Splice, Window	6
5	0323-2192-04	Connector, Plug	1

Audible Alarm Kit

Item	Part No.	Description	Qty
	A043F059	Kit, 12V Alarm Module (Includes the Following Parts)	1
1	0300-3998-02	Module, Alarm	1
2	A042Y707	Screw, Pan Head	2
3	0332-1794	Tie, Cable	4
4	0226-4696	Lead, Electrical	1

Customer Relay Kit

Item	Part No.	Description	Qty
	A044Z053	Kit, Customer Relay (Includes the Following Parts)	
1	A042Z041	Harness, Relay (Includes Parts Parked *)	1
2	A042Y727	Screw, Pan Head	2
3	A044D694	Tie, Cable	2
4	A043B108	Harness, Generator Electrical	1
5	A043E872	Screw, Pan Head	1
6	0307-2873	*Relay, Control	2
7	0332-3388	*Tie, Cable	8
8	0332-2879-02	*Rail, Terminal	1
9	0332-4320	*Block, Terminal	2
10	0332-3491-01	*Terminal, Pin	9
11	0305-1009	*Suppressor, Voltage	2

E-Stop Kit

Item	Part No.	Description	Qty
	A044Z051	Kit, E-Stop (Includes the Following Parts)	
1	A043E232	Harness, Generator Electrical	1
2	0308-1177	Bezel, Switch	1
3	0319-6766	Guard, Electrical	1

Auxiliary Input/Output Signal Kit

Item	Part No.	Description	Qty
	A044Z055	Kit, Auxiliary Input/Output Signal (Includes the Following Parts)	
1	0327-1536	Card, Input Output	1
2	A044A588	Cover, Protection	1
3	A043A230	Harness, Circuit Card	1
4	A042Y707	Screw, Pan Head	4
5	A044D694	Tie, Cable	3
6	A043B108	Harness, Generator Electrical	1
7	A043E872	Screw, Pan Head	1
8	A042X751	Guard, Electrical	1
9	A042Y727	Screw, Pan Head	3

Remote Annunciator Kit

Item	Part No.	Description	Qty
1		Kit, Annunciator – Remote (Includes Items 2 through 5)	
	A045J199	Panel Mount	1
	A045J201	With Enclosure	1
2	0332-1794	Tie, Cable	3
3	0332-1789	Splice, Window	6
4	0338-4906	Harness, Wiring	1
5		Annunciator	
	0300-5929-01	Panel Mount	1
	0300-5929-02	With Enclosure	1

Preventive Maintenance Kit – RB (Normal Duty)

Item	Part No.	Description	Qty
1		Kit, Preventive Maintenance (Includes Items 2 through 3)	
2	A042Y252	Filter, Air	1
3	A047K691	Plug, Spark	6

Preventive Maintenance Kit – RB (Heavy Duty)

Item	Part No.	Description	Qty
1		Kit, Preventive Maintenance (Includes Items 2 through 3)	
2	A044V681	Filter, Air	1
3	A047K691	Plug, Spark	6

Preventive Maintenance Kit – LB (Normal Duty)

Item	Part No.	Description	Qty
1		Kit, Preventive Maintenance (Includes Items 2 through 3)	
2	A047M180	Filter, Air	1
3	A047K691	Plug, Spark	6

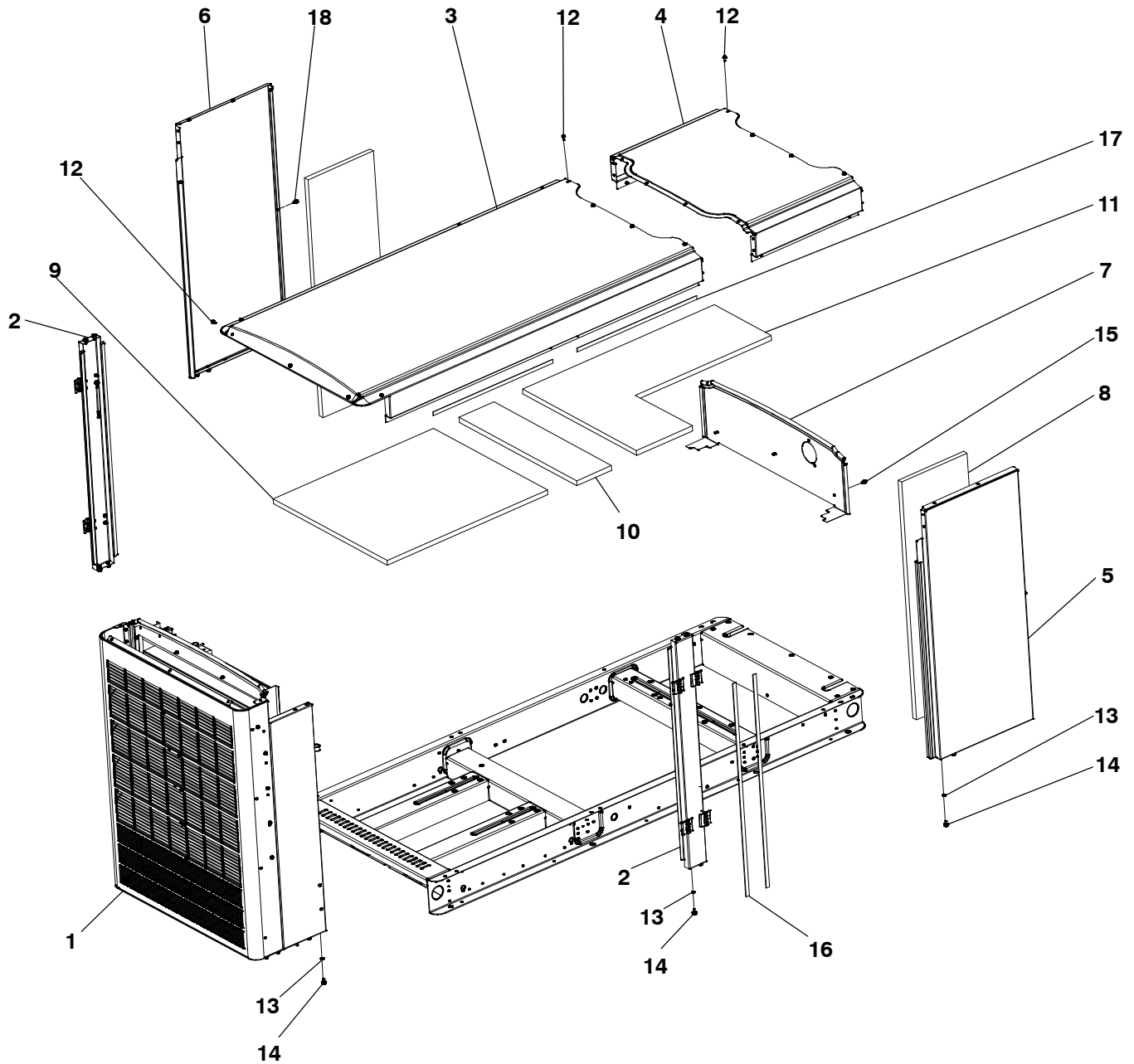
Preventive Maintenance Kit – LB (Heavy Duty)

Item	Part No.	Description	Qty
1		Kit, Preventive Maintenance (Includes Items 2 through 3)	
2	A051M145	Element, Air Filter	1
3	A047K691	Plug, Spark	6

Miscellaneous Accessory Kits

	A043X785	Auxiliary Contacts	
	A043X760	Installation, Shunt	
	A043J735	Enclosure Paint Touch Up Kit – 1/2 oz. Bottle (Sandstone)	
	A046L319	Enclosure Paint Touch Up Kit – 1/2 oz. Bottle (Green)	
	A046S274	Kit, Accessories – Generator Electrical Harness	

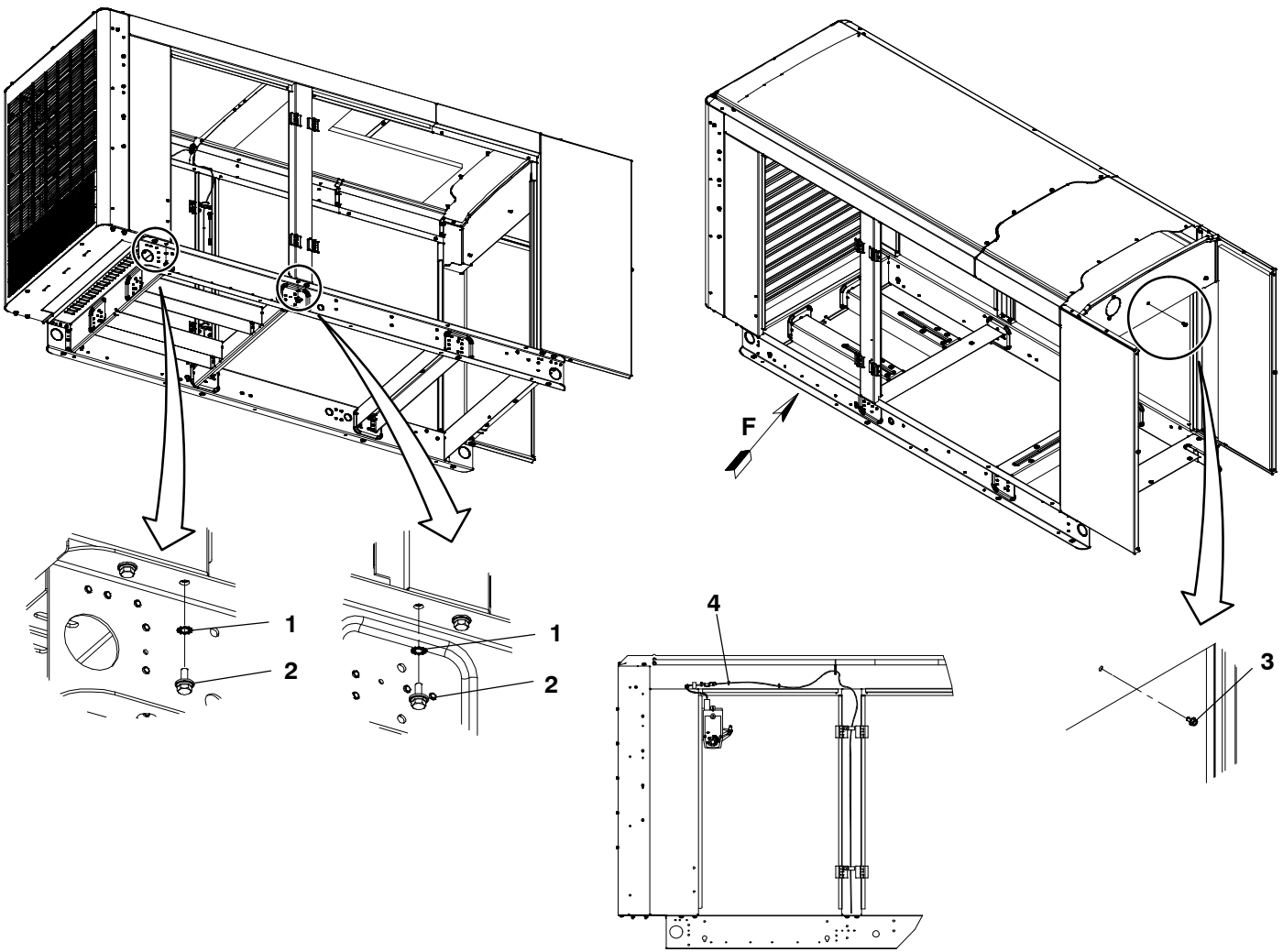
Enclosure (Winterized Units) (Illustration #1)



Enclosure (Winterized Units) (Illustration #1)

Item	Part No.	Description	Qty
1		Installation, Louvers (See Page 263 for Components)	1
2	A062J944	Post, Enclosure	2
3	A061G446	Roof, Enclosure	1
4	A061G448	Roof, Enclosure	1
5	A052M820	Panel, Enclosure	1
6	A052M822	Panel, Enclosure	1
7	A052K469	Panel, Bulkhead	1
8	A048M651	Insulation, Panel	2
9	A047Z339	Insulation, Panel	1
10	A062K949	Insulation, Panel	1
11	A048K751	Insulation, Panel	1
12	A050P483	Screw, Hex Flange Head	21
13	0853-2008	Washer, Lock	16
14	0821-6003-01	Screw, Hex Head	16
15	A045Z943	Screw, Hex Flange Head	3
16	A049H454	Seal, Door	4
17	A049H452	Seal, Door	4
18	A046T081	Screw, Shoulder	2

Enclosure (Winterized Units) (Illustration #2)

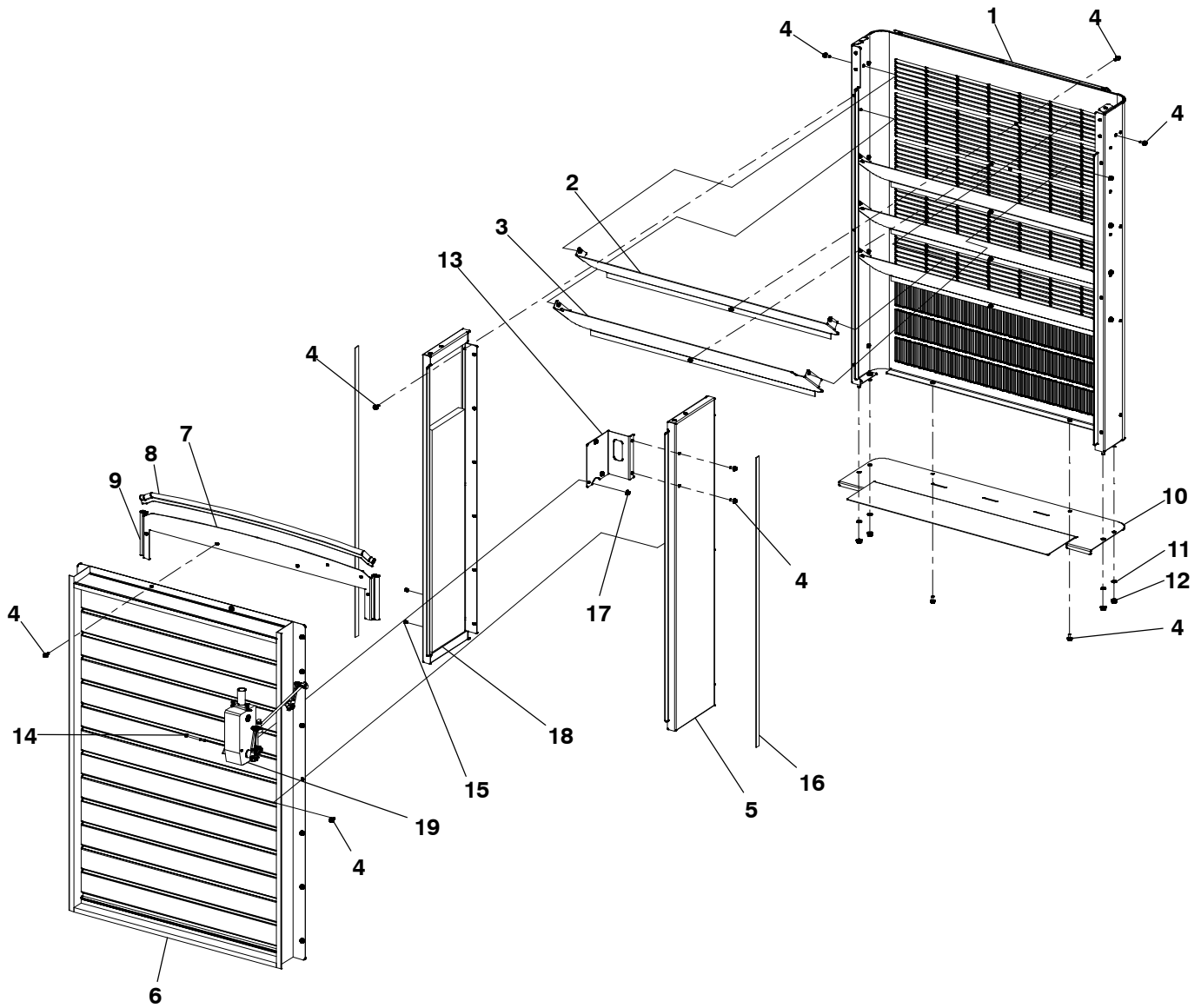


View in Direction of Arrow 'F'

Item	Part No.	Description	Qty
1	0853-2008	Washer, Lock	16
2	0821-6003-01	Screw, Hex Head	16
3	A045Z943	Screw, Hex Flange Head	3
4	0332-0942	Tie, Cable	4

This page is Intentionally blank.

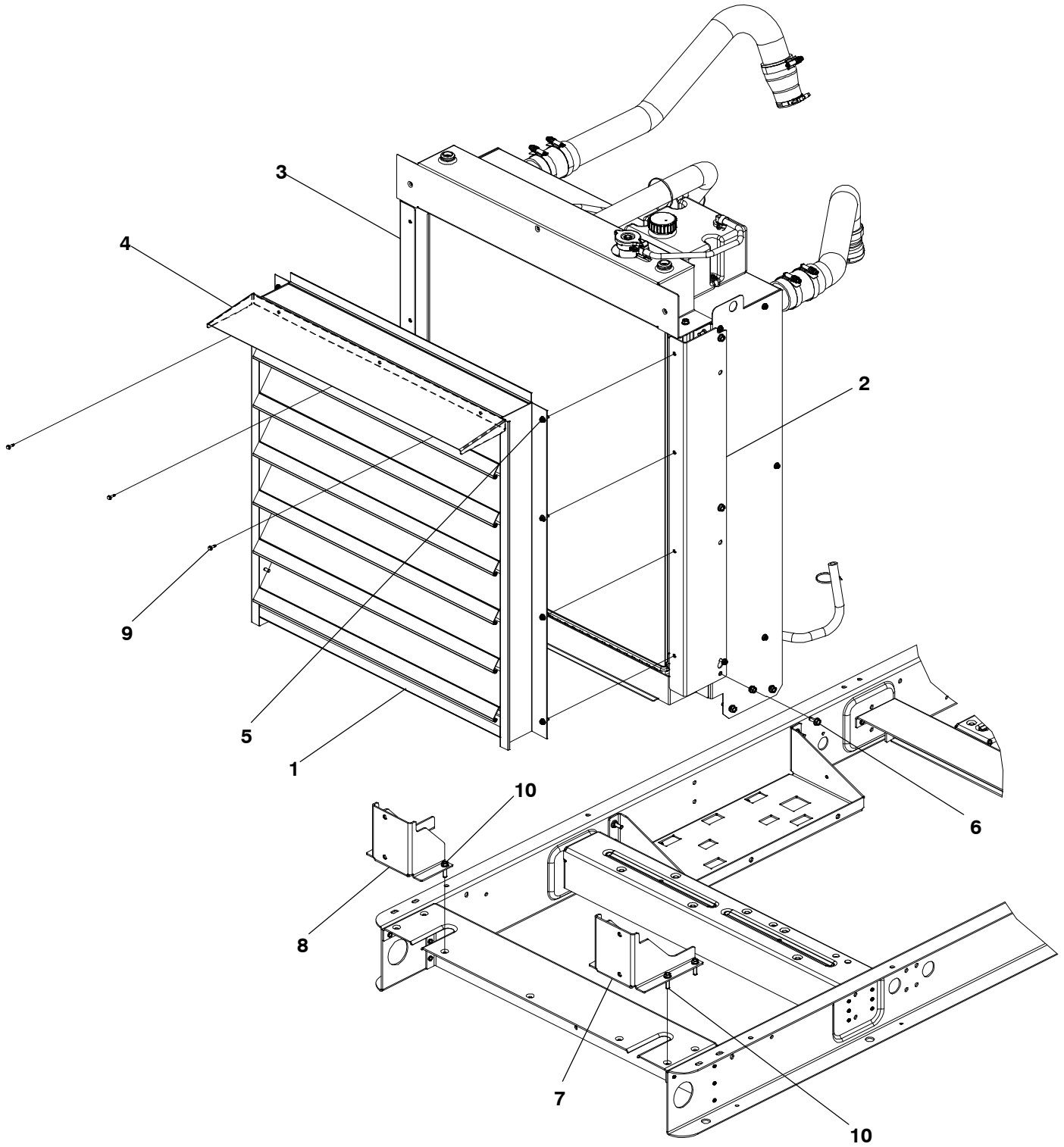
Louver (Winterized Units)



Louver (Winterized Units)

Item	Part No.	Description	Qty
1	A060V266	Cover, Air Inlet	1
2	A060U863	Louver, Enclosure	1
3	A048M825	Louver, Enclosure	4
4	A050P483	Screw, Hex Flange Head	41
5	A060T422	Panel, Enclosure	2
6	A060Y995	Louver, Enclosure	1
7	A060U494	Panel, Bulkhead	1
8	A061D920	Seal, Edge	1
9	A061D918	Seal, Edge	2
10	A060V582	Member, Support	1
11	0853-2008	Washer, Lock	4
12	0870-2065-03	Nut, Hex Flange	4
13	A061C565	Bracet, Actuator	1
14	0800-2044	Screw, Hex Head	3
15	0517-0131-03	Plug, Hole	2
16	A049H454	Seal, Door	2
17	0870-2065-02	Nut, Hex Flange	3
18	A062K949	Insulation, Panel	2
19	A062L351	Kit, Generator Louver Fastener (Includes Parts Marked *)	1
	A062H493	* Actuator	1
	A062H524	* Lever, Actuator	1
	A062H520	* Joint, Ball	1
	A062H516	* Joint, Ball	1
	A062H522	* Rod, Actuator	1

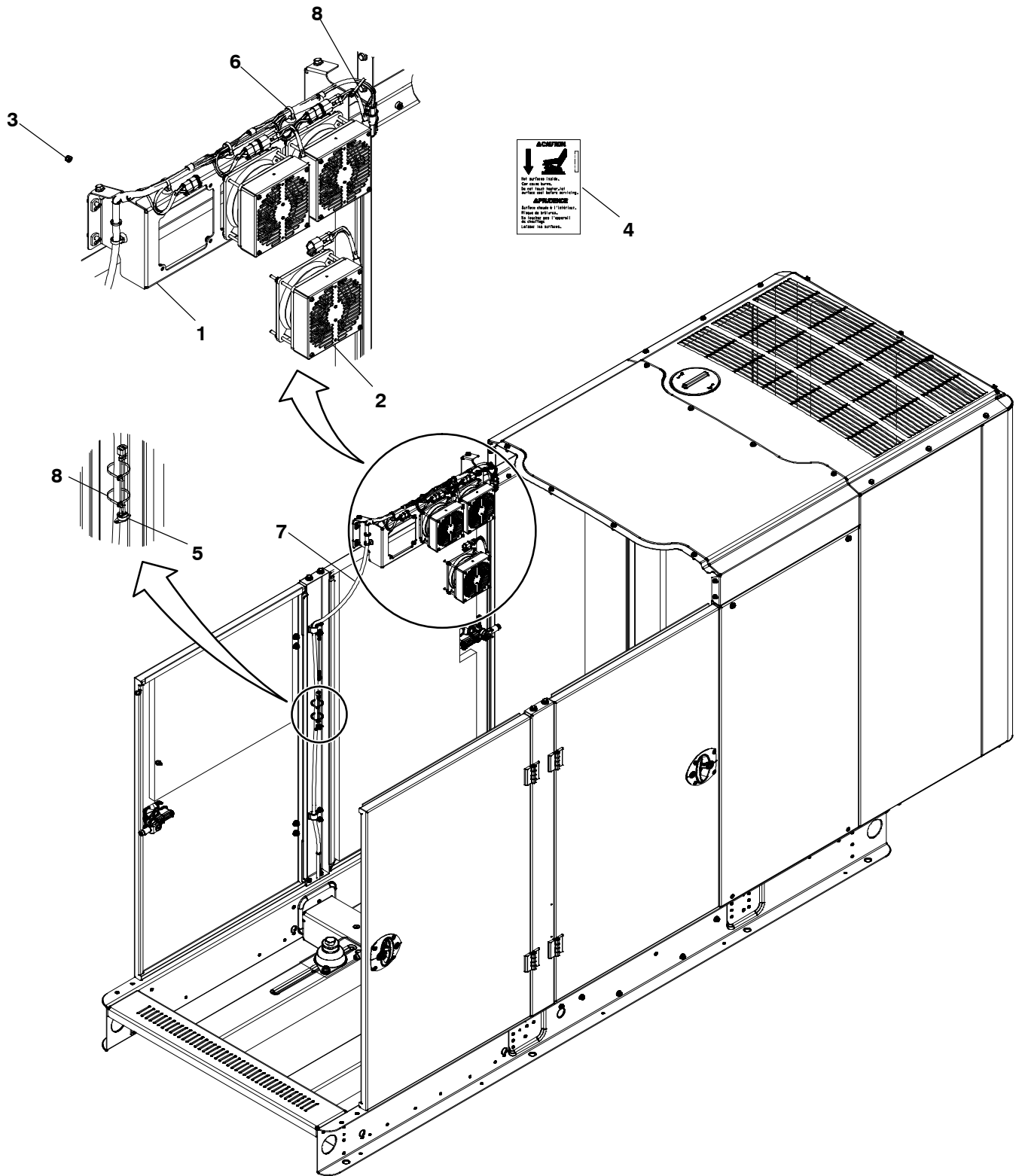
Louver – Radiator (Winterized Units)



Louver – Radiator (Winterized Units)

Item	Part No.	Description	Qty
1	A060V997	Louver, Enclosure	1
2	A061D075	Bracket, Mounting	1
3	A061D274	Bracket, Mounting	1
4	A061D277	Shield, Rain	1
5	0815-0857-02	Screw, Hex Flange Head	8
6	0815-0829-06	Screw, Thread Forming	6
7	A060P383	Bracket, Silencer	1
8	A060P388	Bracket, Silencer	1
9	0800-6294	Screw, Hex Flange Head	3
10	0815-0781	Screw, Thread Forming	6

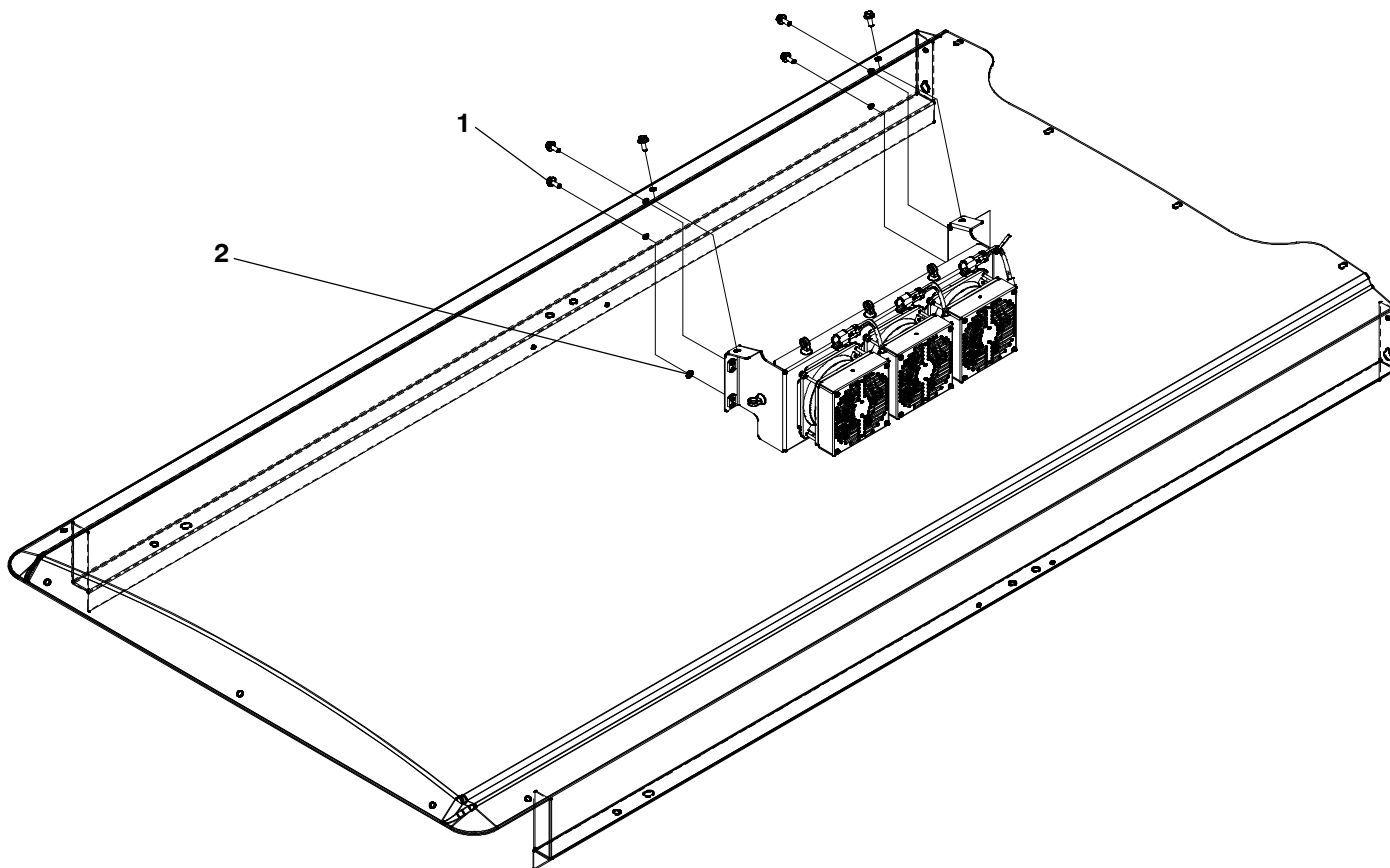
Heater (Winterized Units) (Illustration #1)



Heater (Winterized Units) (Illustration #1)

Item	Part No.	Description	Qty
1	A063D834	Bracket, Mounting	1
2	A063B833	Heater, Generator	3
3	0870-0235	Nut, Lock	12
4	A062X982	Label, Caution	1
5	A061E732	Switch, Thermostat	1
6	A044D694	Tie, Cable	4
7	A063F589	Harness, Power	1
8	0332-1794	Tie, Cable	3

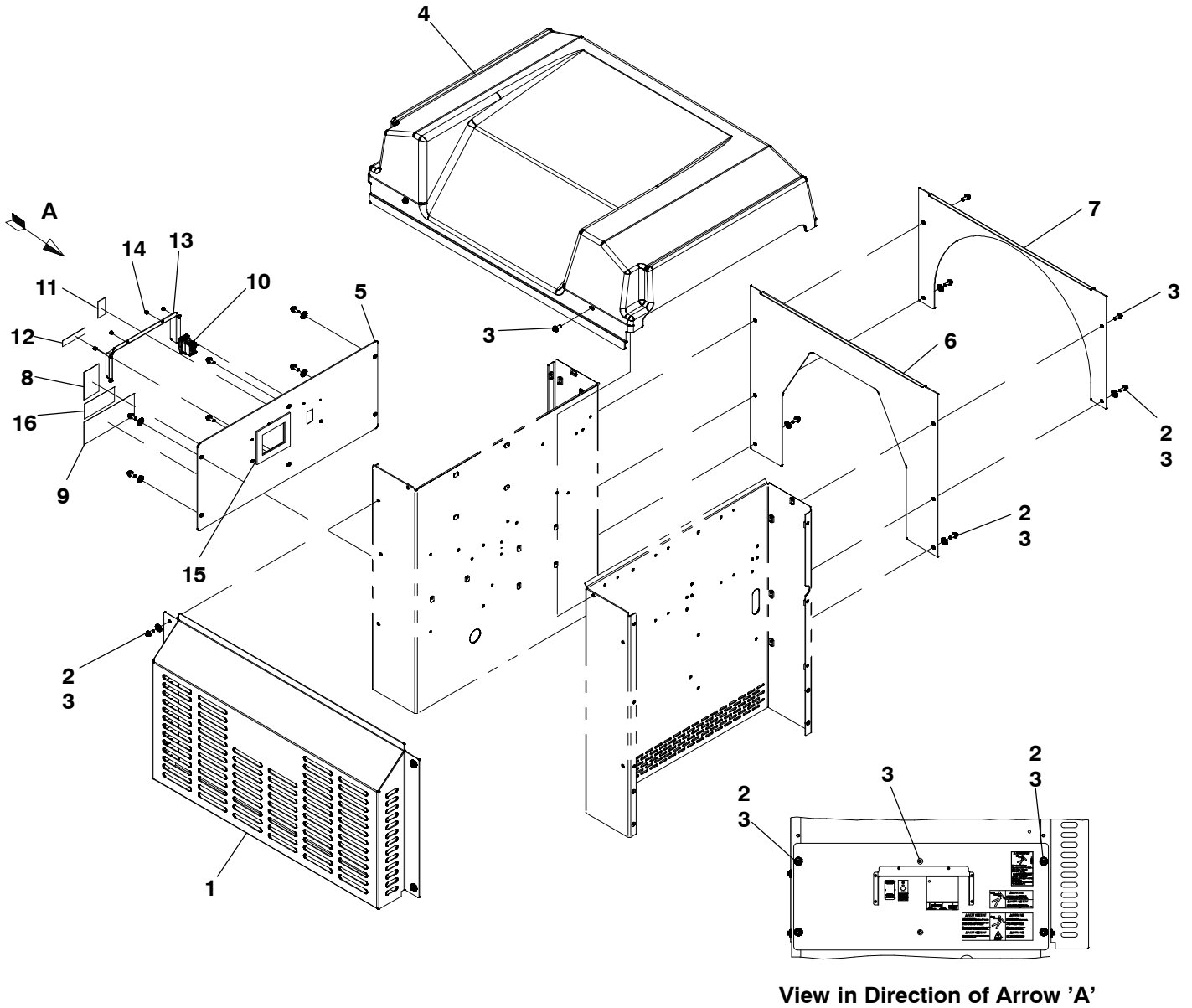
Heater (Winterized Units) (Illustration #2)



Item	Part No.	Description	Qty
1	A050P483	Screw, Hex Flange Head	6
2	0853-2006	Washer, Lock	1

This page is Intentionally blank.

Control Housing (Winterized Units)

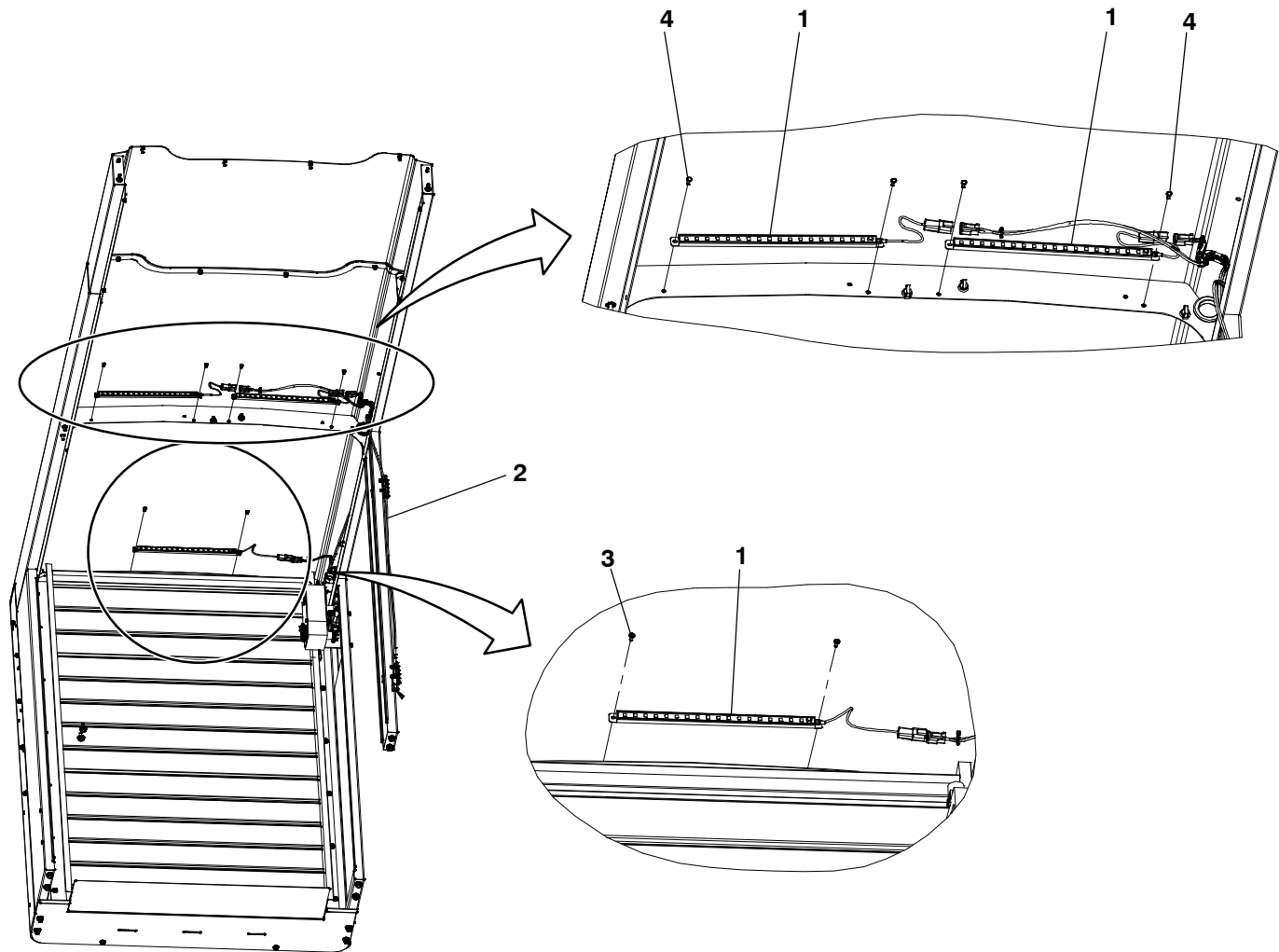


View in Direction of Arrow 'A'

Control Housing (Winterized Units)

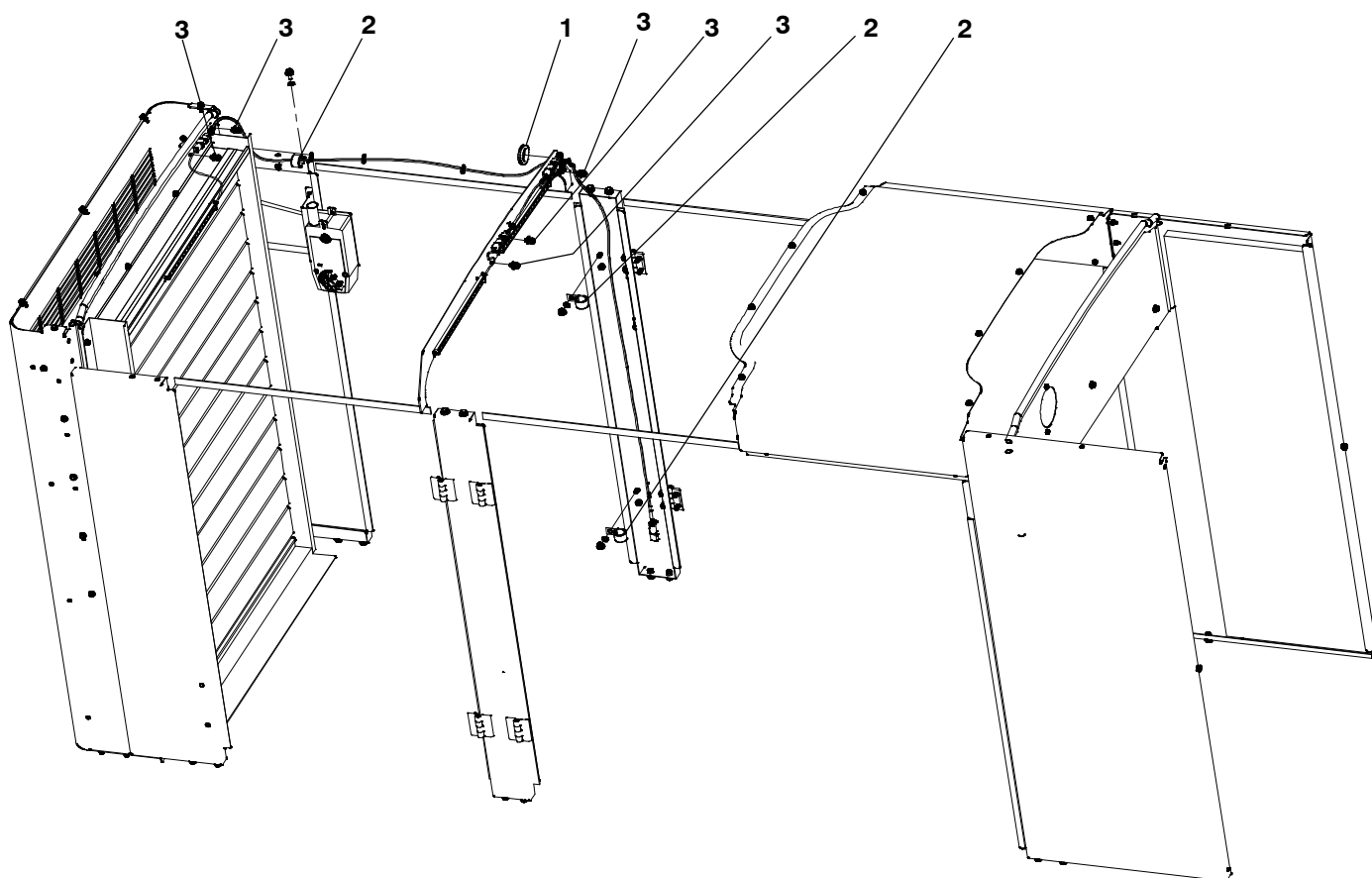
Item	Part No.	Description	Qty
1	A051C812	Guard, Alternator	1
2		Washer, Lock	
	0856-0006	Long Stack Length	10
	0856-0006	Short Stack Length	12
3		Screw, Hex Head	
	0815-0857-02	Long Stack Length	18
	0815-0857-02	Short Stack Length	20
4	A051C650	Cover, Terminal Enclosure	1
5	A060U968	Panel, Control Box	1
6	A051A292	Panel, Guard (Short Stack Length)	1
7	A051A290	Panel, Guard (Long Stack Length)	1
8	A048G965	Label, Warning	1
9	A044F254	Label, Warning	1
10	0308-1038	Switch, Rocker	1
11	A061F251	Label, Instruction	1
12	A061F249	Label, Instruction	1
13	A061F525	Cover, Switch	1
14	0818-0237-01	Rivet, Pop	6
15	A062L589	Gasket, Circuit Breaker Box	1
16	A062Y572	Label, Warning	1

Enclosure Lamp (Winterized Units) (Illustration #1)



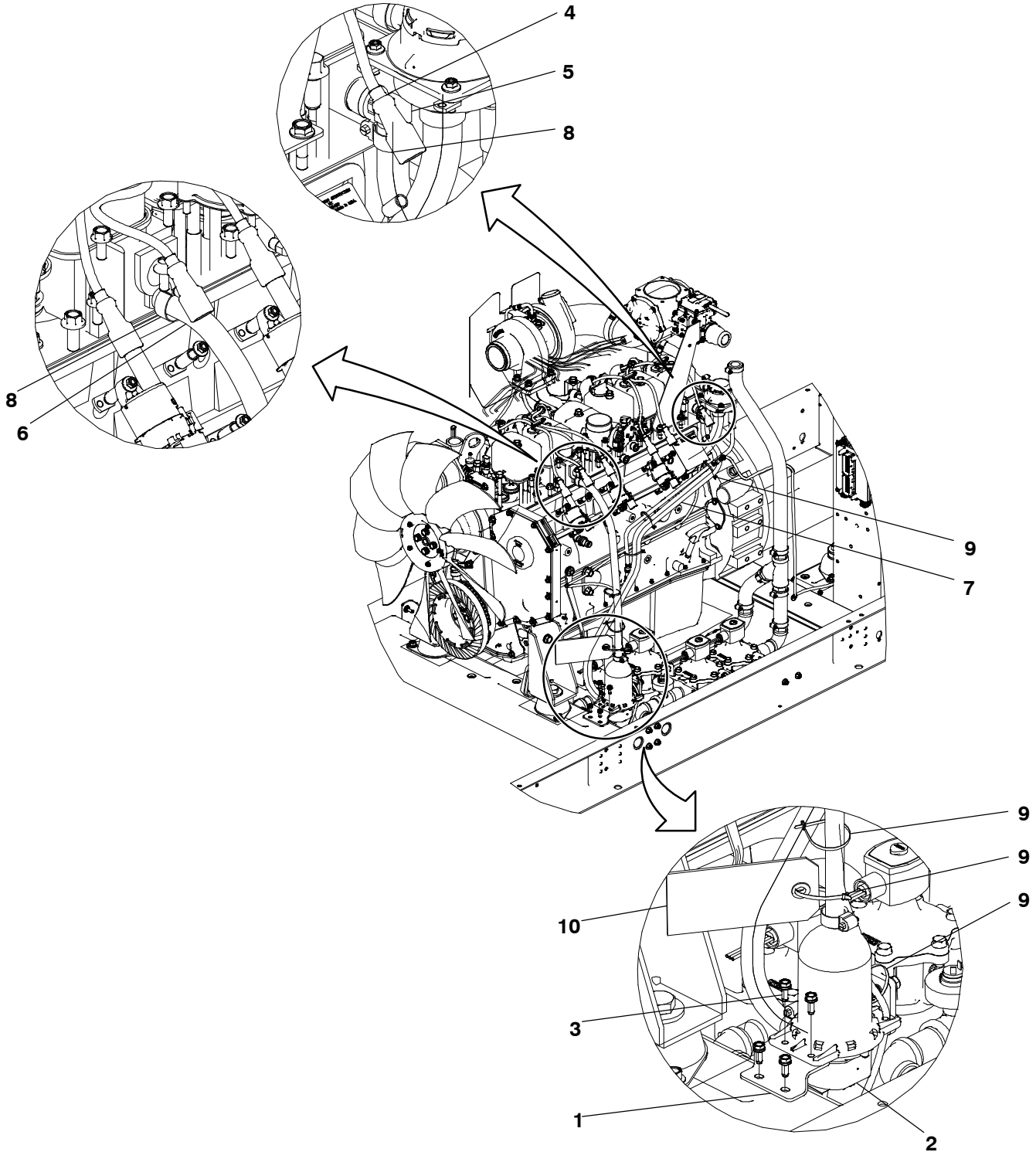
Item	Part No.	Description	Qty
1	A060Z167	Light, Panel	3
2	A061E916	Harness, Interface	1
3	0815-0960-04	Screw, Pan Head	2
4	0800-3042	Screw, Hex Head	4

Enclosure Lamp (Winterized Units) (Illustration #2)



Item	Part No.	Description	Qty
1	A049H744	Grommet	1
2	0332-2634	Clamp, J	3
3	A044D694	Tie, Cable	5

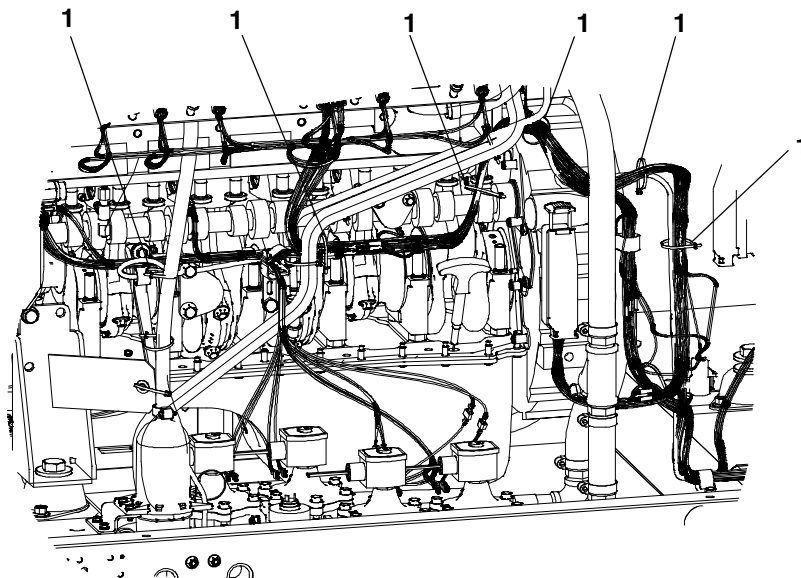
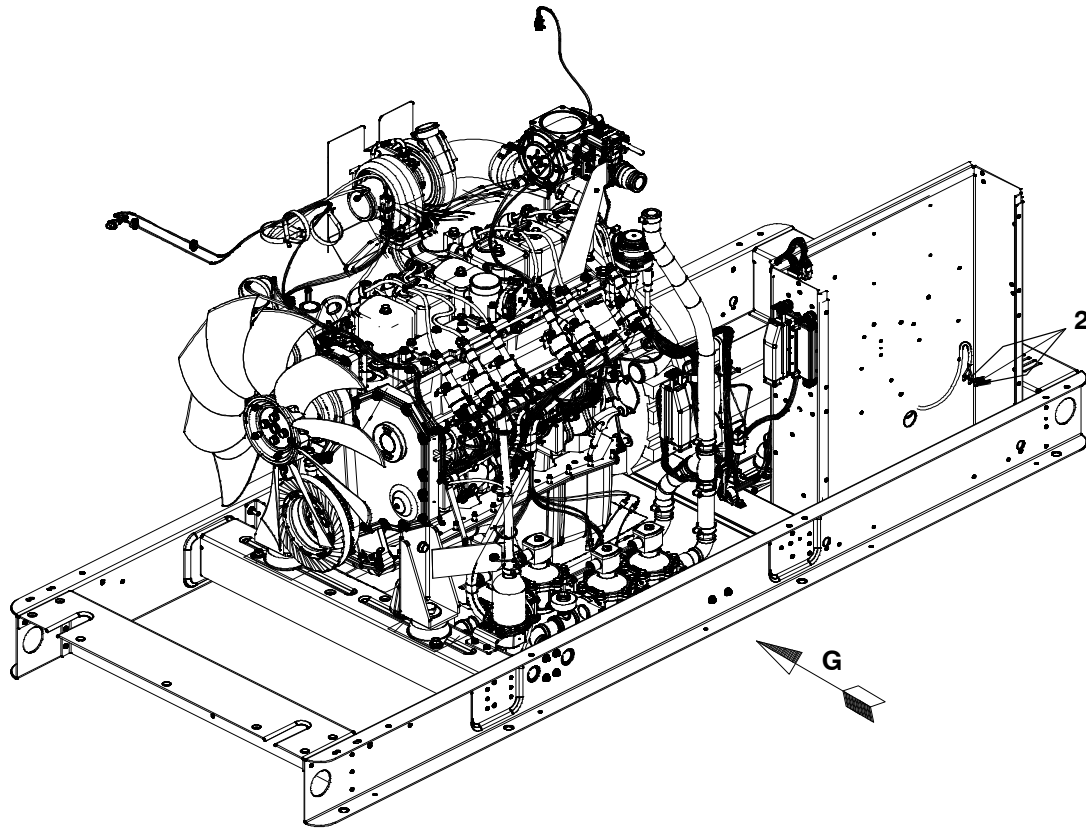
Coolant Heater (Winterized Units) (Illustration #1)



Coolant Heater (Winterized Units) (Illustration #1)

Item	Part No.	Description	Qty
1	A050M716	Bracket, Heater	1
2	A050M046	Heater, Coolant	1
3	0815-0941-03	Screw, Hollow Head	4
4	0505-0131	Bushing, Reducer	1
5	0502-0942	Elbow, Hose	1
6	A050M658	Hose, Coolant	1
7	A052N352	Hose, Coolant	1
8	0503-1135	Clamp	4
9	0332-1794	Tie, Cable	12
10	0098-6030	Label, Warning	1

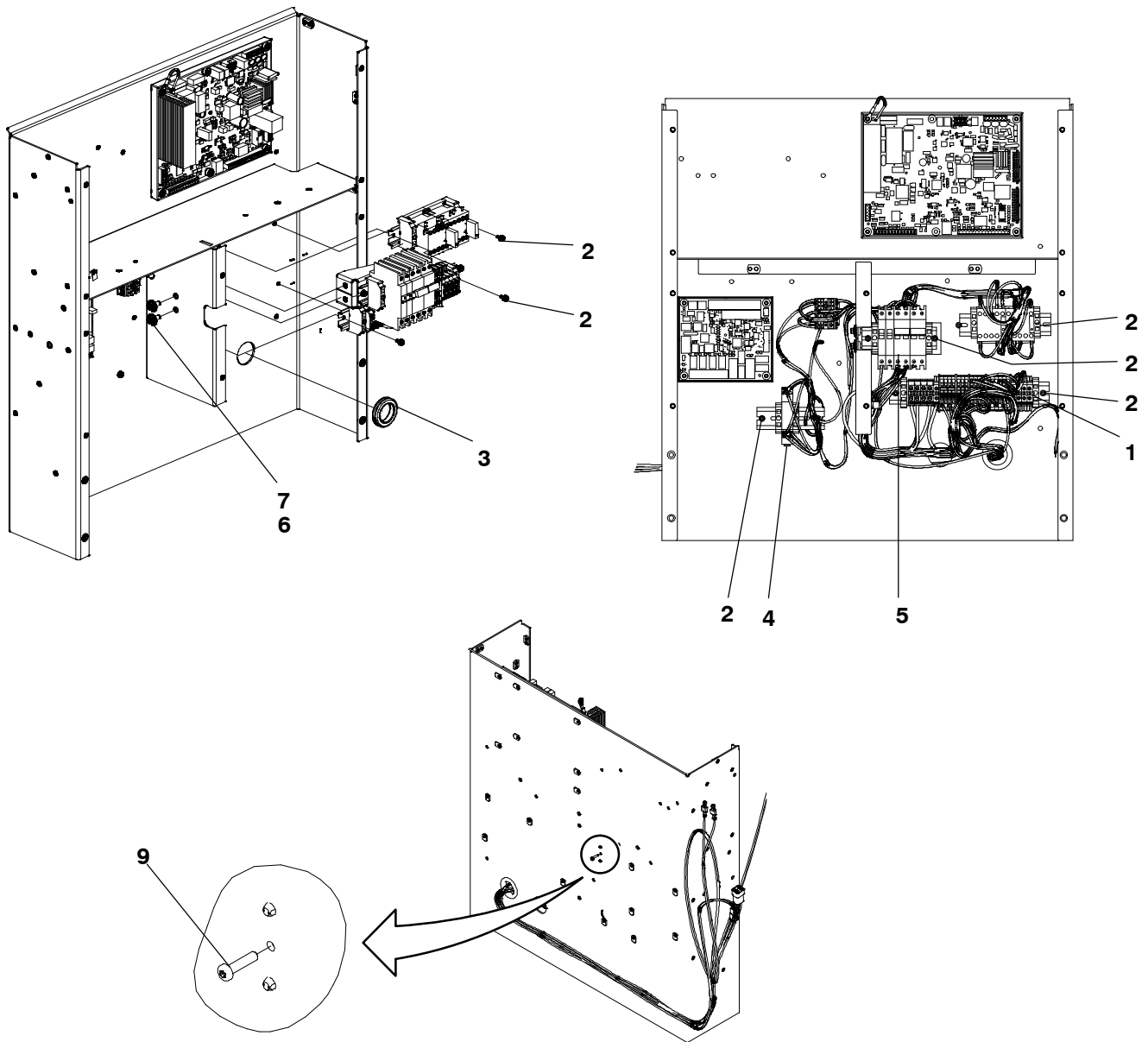
Coolant Heater (Winterized Units) (Illustration #2)



View in Direction of Arrow 'G'

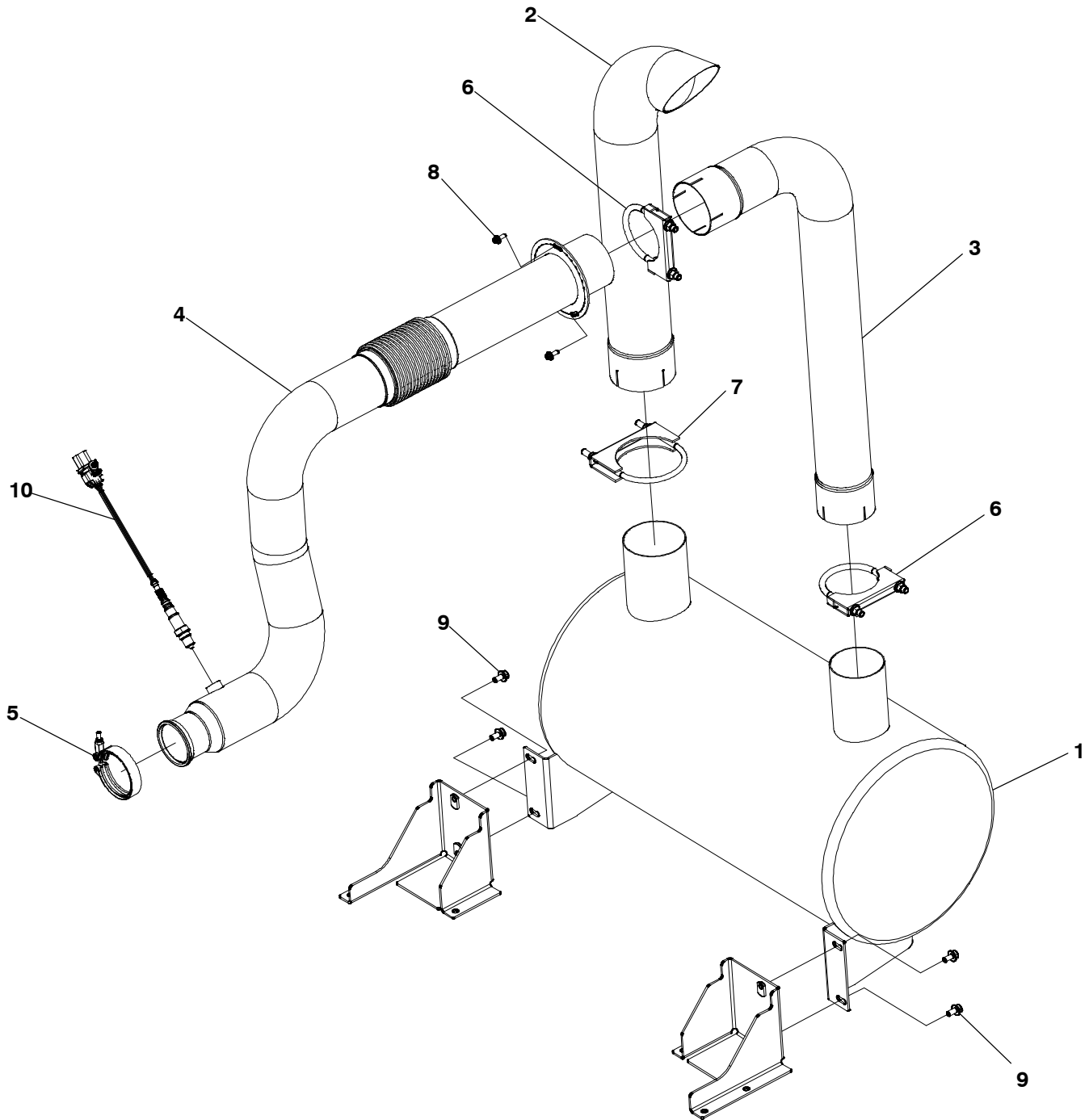
Item	Part No.	Description	Qty
1	0332-1794	Tie, Cable	12
2	A046G477	Label, Marker	1

Power Harness (Winterized Units)



Item	Part No.	Description	Qty
1	A060X049	Harness, Power	1
2	0819-1165-02	Screw, Pan Head	8
3	A049H744	Grommet	1
4	A060X063	Tie, Cable	1
5	A061B553	Member, Support	1
6	0856-0006	Washer, Lock	2
7	0815-0857-02	Screw, Hex Head	2
8	0332-1794	Tie, Cable (Not Shown)	10
9	A043E872	Screw, Pan Head	11

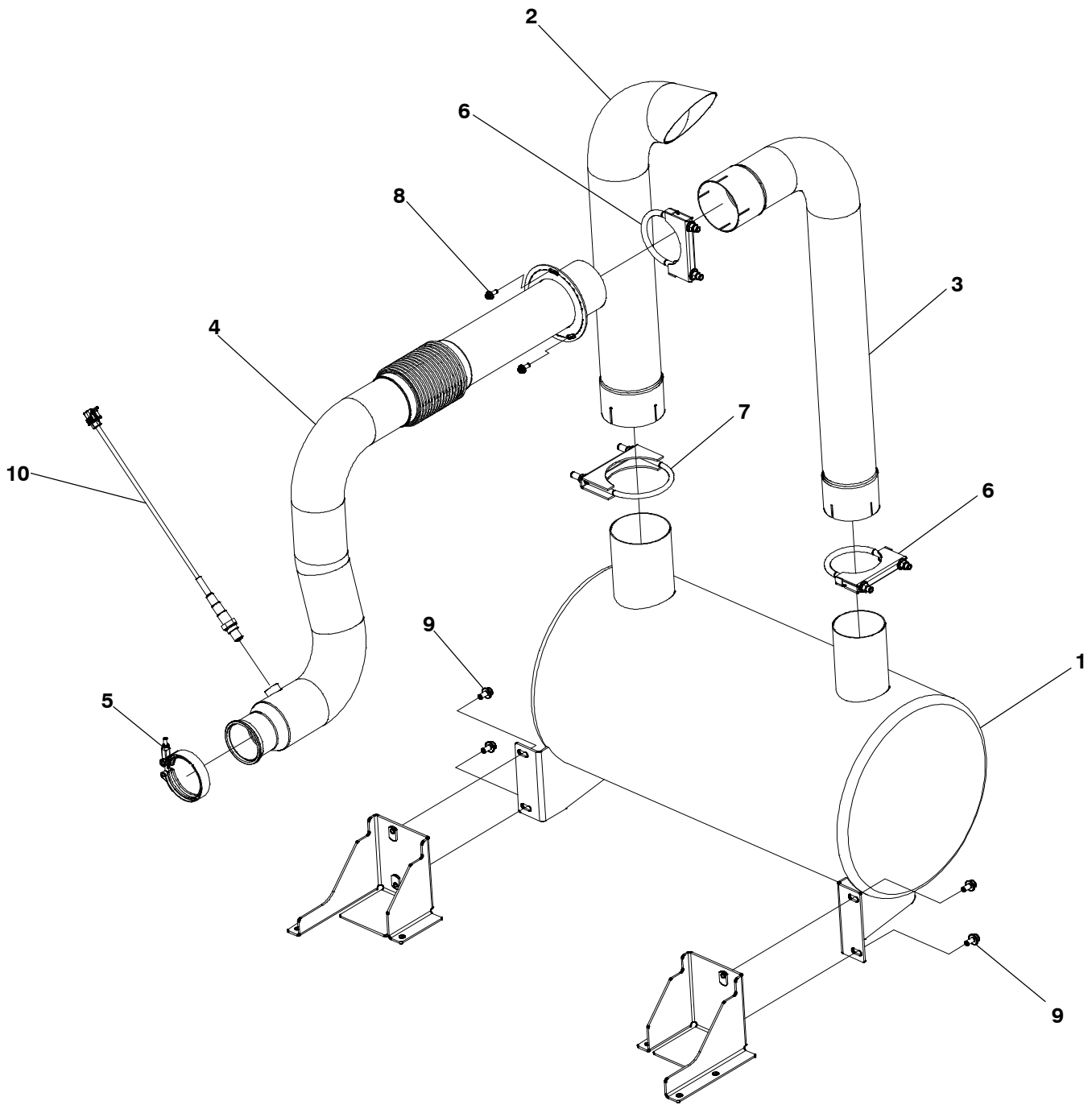
Silencer (Winterized Units) (C70 N6, C80 N6, C100 N6)



Silencer (Winterized Units) (C70 N6, C80 N6, C100 N6)

Item	Part No.	Description	Qty
1	A050B660	Silencer, Exhaust	1
2	A046D850	Pipe, Exhaust	1
3	A060P582	Pipe, Exhaust	1
4	A046D846	Pipe, Exhaust	1
5	0155-2565	Clamp, Vee Band	1
6	A047W504	Clamp, Exhaust	2
7	0155-2305	Clamp, Exhaust	1
8	0815-0857-02	Screw, Hex Head	2
9	0800-6524-01	Screw, Hex Flange Head	4
10	A057B780	Sensor, Oxygen	1

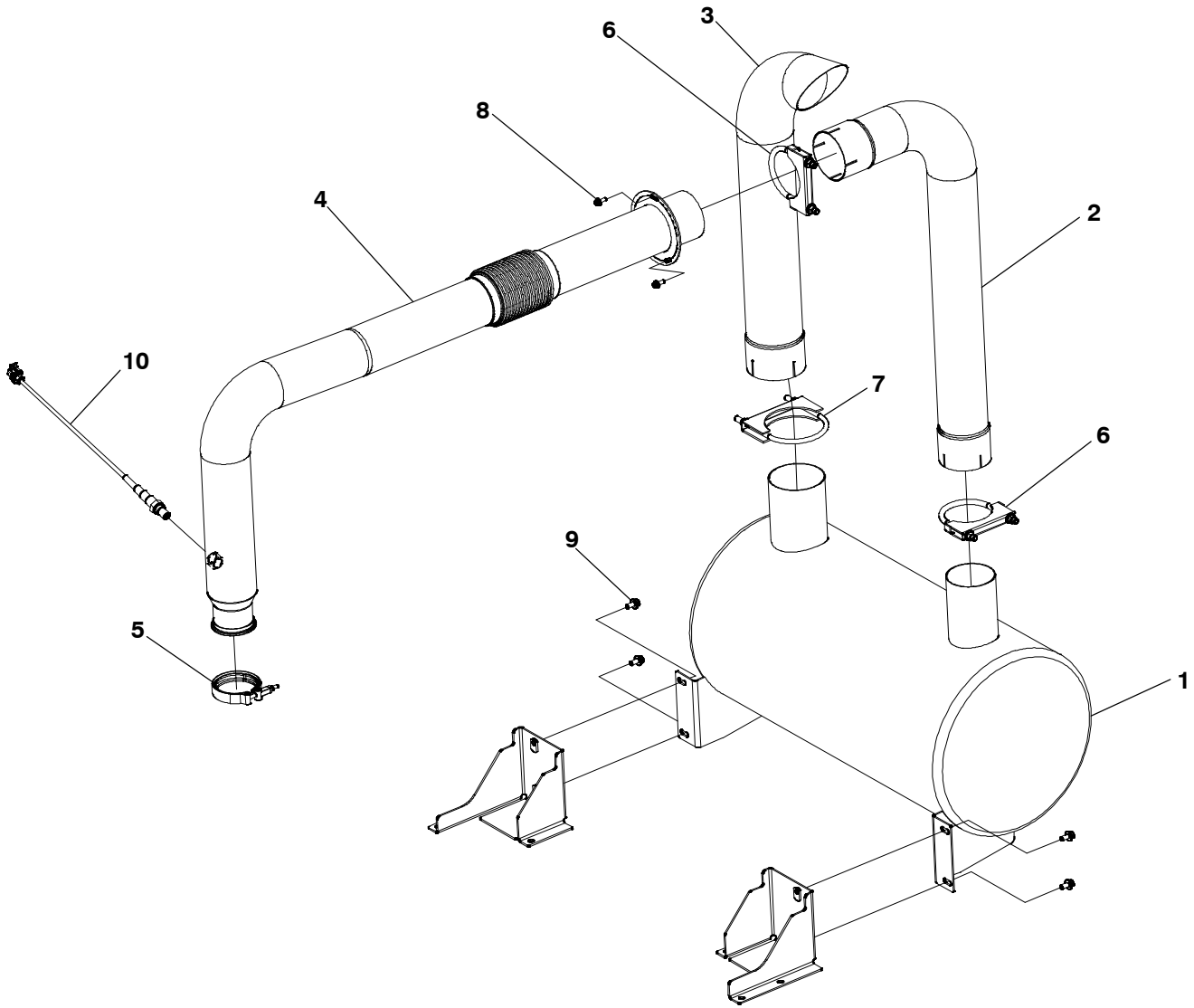
Silencer (Winterized Units) (C60 N6)



Silencer (Winterized Units) (C60 N6)

Item	Part No.	Description	Qty
1	A050B660	Silencer, Exhaust	1
2	A046D850	Pipe, Exhaust	1
3	A060P582	Pipe, Exhaust	1
4	A047S649	Pipe, Exhaust	1
5	0155-2565	Clamp, Vee Band	1
6	A047W504	Clamp, Exhaust	2
7	0155-2305	Clamp, Exhaust	1
8	0815-0857-02	Screw, Hex Head	2
9	0800-6524-01	Screw, Hex Flange Head	4
10	A043W344	Sensor, Oxygen	1

Silencer (Winterized Units) (C45 N6, C50 N6)



Silencer (Winterized Units) (C45 N6, C50 N6)

Item	Part No.	Description	Qty
1	A050B660	Silencer, Exhaust	1
2	A060P582	Pipe, Exhaust	1
3	A046D850	Pipe, Exhaust	1
4	A048A814	Pipe, Exhaust	1
5	0155-2565	Clamp, Vee Band	1
6	A047W504	Clamp, Exhaust	2
7	0155-2305	Clamp, Exhaust	1
8	0815-0857-02	Screw, Hex Head	2
9	0800-6524-01	Screw, Hex Flange Head	4
10	A043W344	Sensor, Oxygen	1

This page is Intentionally blank.

Topical Index

A

Accessories and Kits, **246**
Adapter, Duct, **123**
Adapter, Filter Head, **59**
Air Cleaner – HD (C45 N6, C50 N6), **98**
Air Cleaner – HD (C60 N6), **99**
Air Cleaner – HD (C70 N6, C80 N6, C100 N6), **97**
Air Cleaner – ND (C45 N6, C50 N6, C60 N6), **100**
Air Cleaner – ND (C70 N6, C80 N6, C100 N6), **101**
Alternator (12V), **63**
Alternator – Complete, **146**
Alternator Fasteners – UC22, **142**
Alternator Fasteners – UC27, **143**
Alternator Mounting, **57**
Alternator Service Parts, **145**

B

Bar, Neutral, **219 , 221 , 225 , 227 , 231 , 233**
Barrier, Phase, **223 , 229**
Battery, **250 , 251**
Bearing, Ball, **54**
Belt, V Ribbed, **53**
Bezel, Switch, **192 , 193 , 206 , 207**
Block, Cylinder, **67**
Board, Main Terminal, **145**
Body, Throttle, **13 , 23 , 31**
Box, Circuit Breaker, **219 , 221 , 223**
Box, Connection, **181**
Box, Control (No Auxiliary Relay or Signals), **183 , 197**
Box, Control (With Auxiliary Relay), **187 , 201**
Box, Control (With Auxiliary Signal Control and Auxiliary Relay), **189 , 203**
Box, Control (With Auxiliary Signal Control), **185 , 199**
Bracket, Belt Tensioner, **53**
Bracket, Lifting – Engine, **64**
Breaker, Circuit, **219 , 221 , 223 , 225 , 227 , 229 , 231 , 233**
Breather, Crankcase, **21 , 29 , 39**

Busbar, Neutral, **234 , 235**

C

Camshaft (Woodruff Key), **69**
Cap, Pressure, **113 , 117**
Card, Control, **183 , 185 , 187 , 189 , 197 , 199 , 201 , 203**
Card, Input Output, **185 , 189 , 199 , 203**
Cartridge, Lube Oil Filter, **59**
Charger, Battery (6 Amp), **157**
Chassis (UC22), **153**
Chassis (UCD27), **152**
Circuit Breaker Lock Out, **253**
Circuit Breakers (125A–250A) Position "A" (Right Side), **221**
Circuit Breakers (125A–250A) Position "B" (Center), **227**
Circuit Breakers (125A–250A) Position "C" (Left Side), **233**
Circuit Breakers (15A–100A) Position "A" (Right Side), **219**
Circuit Breakers (15A–100A) Position "B" (Center), **225**
Circuit Breakers (15A–100A) Position "C" (Left Side), **231**
Circuit Breakers (400A–600A) Position "A" (Right Side), **223**
Circuit Breakers (400A–600A) Position "B" (Center), **229**
Coil, Ignition, **13 , 23 , 31**
Connection, Water Inlet, **79**
Connection, Water Outlet, **76**
Connector, Terminal Block, **236**
Control, Genset, **190 , 191 , 192 , 193**
Cooler, Charge Air, **113**
Cooler, Lube Oil, **59**
Cooling System (C45 N6, C50 N6), **115 , 117**
Cooling System (C60 N6, C70 N6, C80 N6, C100 N6), **111 , 113**
Core, Cooler, **59**
Cover, Cam Follower, **68**

Index (Continued)

Cover, Circuit Breaker Box – 1 Circuit Breaker (KV03–2), **209**
Cover, Circuit Breaker Box – 2 Circuit Breakers (KV04–2), **211 , 213**
Cover, Circuit Breaker Box – 3 Circuit Breakers (KX25–2), **215 , 217**
Cover, Gear Cover, **51**
Cover, PMG, **145**
Cover, Rear, **58**
Cover, Terminal Enclosure, **181**
Cover, Valve, **72**
Cup, Circuit Breaker Switch, **209 , 211 , 213 , 215 , 217**

D

Damper, Vibration, **52**
Dipstick, **61**
Display Panel (HMI 211 and Bargraph), **191**
Display Panel (HMI 211 and E–Stop), **192**
Display Panel (HMI 211, Bargraph and E–Stop), **193**
Display Panel (HMI 211), **190**
Display Panel (HMI 320 and Bargraph), **205**
Display Panel (HMI 320 and E–Stop), **206**
Display Panel (HMI 320, Bargraph and E–Stop), **207**
Display Panel (HMI 320), **204**
Drive, Alternator, **53**
Drive, Fan, **54**
Duct, Inlet, **180**

E

Enclosure (Winterized Units), **259 , 260**
Enclosure – Green (F216), **167 , 168**
Enclosure – Green (F217), **159 , 161**
Enclosure – Green (F231), **163 , 165**
Enclosure – Sandstone (F216), **169 , 171**
Enclosure – Sandstone (F217), **173 , 175**
Enclosure – Sandstone (F231), **177 , 179**
Engine, **13 , 23 , 31**
Engine – Service Parts, **50**

Engine Accessories (C45 N6, C50 N6), **23 , 25 , 27 , 29**
Engine Accessories (C60 N6), **31 , 33 , 35 , 37 , 39**
Engine Accessories (C70 N6, C80 N6, C100 N6), **13 , 15 , 17 , 19 , 21**
Exhaust Connection (C45 N6, C50 N6), **103**
Exhaust Connection (C60 N6), **104**
Exhaust Connection (C70 N6, C80 N6, C100 N6), **102**

F

Fan, Radiator, **15**
Filter, Air, **97 , 98 , 99 , 100 , 101**
Filter, Air – Primary, **97 , 98 , 99**
Filter, Air – Replacement, **97 , 98 , 99**
Flywheel, **55**
Fuel Supply – Single Fuel – NG or LPV, **85**
Fuel Supply – Single Fuel – NG or LPV With CSA (C45 N6, C50 N6), **87**
Fuel Supply – Single Fuel – NG or LPV With CSA (C60 N6), **89**
Fuel Supply – Single Fuel – NG or LPV With CSA (C70 N6, C80 N6, C100 N6), **91**
Fuel Supply – NG/LPV with Automatic Change Over, **83**
Fuel System Module – Single Fuel – NG or LPV With CSA (C45 N6, C50 N6), **93**
Fuel System Module – Single Fuel – NG or LPV With CSA (C60 N6, C70 N6, C80 N6, C100 N6), **94**
Fuel System Module – NG/LPV with Automatic Change Over, **92**
Fuses – PC1.1, **194**

G

Gasket, **13**
Gasket, Connection, **76**
Gasket, Cylinder Head, **70**
Gasket, Exhaust Manifold, **19 , 29 , 37 , 75**
Gasket, Filter Head, **59**
Gasket, Gear Housing, **51**
Gasket, Intake Manifold Cover, **60**
Gasket, Oil Cooler Core, **59**

Index (Continued)

Gasket, Rear Cover, **58**
Gasket, Turbocharger, **19** , **37**
Gasket, Valve Cover, **72**
Gauge, Oil Level, **61**
Guard (C70 N6, C80 N6, C100 N6), **121**
Guard, Alternator, **181**
Guard, Electrical, **192** , **193** , **206** , **207**
Guard, Fan, **118**

H

Harness, Alternating Current, **240**
Harness, Circuit Card, **185** , **189** , **199** , **203**
Harness, Engine, **43**
Harness, Generator Electrical, **183** , **185** , **187** , **189** ,
192 , **193** , **197** , **199** , **201** , **203** , **206** , **207** , **241**
Harness, Heater, **129** , **133** , **137** , **141**
Harness, Ignition, **21** , **29** , **39**
Harness, Power (Winterized Units), **277**
Harness, Relay, **187** , **189** , **201** , **203**
Head, Lube Oil Filter, **59**
Heater, **145**
Heater (Winterized Units), **267** , **268**
Heater – Cold Ambient (C45 N6, C50 N6), **130** , **133**
Heater – Cold Ambient (C60 N6, C70 N6, C80 N6,
C100 N6), **126** , **129**
Heater – Extreme Cold Ambient (C45 N6, C50 N6), **138**
141
Heater – Extreme Cold Ambient (C60 N6, C70 N6, C80
N6, C100 N6), **134** , **137**
Heater, Alternator, **151**
Heater, Cartridge, **129** , **133** , **137** , **141**
Heater, Coolant, **125**
Heater, Coolant (Winterized Units), **275** , **276**
Heater, Engine, **41**
Hose, Fuel, **80**
Hose, Oil, **15**
Housing, Control (Winterized Units), **271**
Housing, Flywheel, **58**
Housing, Thermostat, **71**

Hub, Fan, **54**

I

Indicator, Restriction, **97**
Isolator, Noise, **72**

K

Kit, Audible Alarm, **255**
Kit, Auxiliary Input/Output Signal, **256**
Kit, Battery Heater, **252**
Kit, Complete PMG Upfit, **145**
Kit, Control Panel Electrics, **248**
Kit, Current PMG Rotor/Stator Repair, **145**
Kit, Customer Relay, **255**
Kit, Diode FRW/REV and Varistor, **145**
Kit, E–Stop, **255**
Kit, Front Seal Service, **51**
Kit, NDE Bearing, **145**
Kit, Pipe Package Exhaust, **254**
Kit, Preventive Maintenance, **256** , **257**
Kit, Remote Annunciator, **256**
Kit, Top Load Entry Box, **249**
Kits, Miscellaneous Accessory, **257**

L

Labels, **9**
Lamp, Enclosure (Winterized Units), **272** , **273**
Leads, **242**
Long Block Parts, **44**
Louver (Winterized Units), **263**
Louver – Radiator (Winterized Units), **265**
Lug, Solderless, **219** , **221** , **223** , **225** , **227** , **229** , **231** ,
233 , **234** , **235**

M

Manifold, Air Intake, **60**
Manifold, Exhaust, **74**

Index (Continued)

Mixer, **21 , 29 , 39**
Module, ECM, **17**
Module, Fuel System, **83 , 85 , 87 , 89 , 91**
Motor, Starter, **40**
Muffler, **247**

P

Paint and Thread Sealant, **10**
Pan, Oil – Mounting, **78**
Pan, Skid, **154**
Panel, Display, **204**
Pipe, Exhaust, **279 , 281 , 283**
Pipes, Fuel, **80**
Plug, Spark, **15 , 23 , 31 , 46**
Plunger, PRS Regulator, **59**
Pulley, Crankshaft, **52**
Pulley, Fan, **54**
Pump, Oil, **62**
Pump, Water, **73**

R

Radiator, **113 , 117**
Regulator, Pressure, **21 , 29 , 39**
Relay, Control, **189 , 203**
Remote HMI Display Kit (HMI 112) (Bargraph), **255**
Remote HMI Display Kit (HMI 211 RS), **254**
Remote HMI Display Kit (HMI 220), **254**
Retainer, Fan Hub, **54**
Ring, Retaining, **54**
Rotating Rectifier Assy, **145**

S

Screws, Cylinder Head, **77**
Seal, Edge, **113 , 117**
Seal, O Ring, **29 , 59**

Seal, Oil, **51 , 58**
Seal, Rectangular Ring, **51**
Sender, Low Coolant, **122**
Sender, Pressure, **13 , 23 , 31**
Sensor, Humidity, **97 , 101**
Sensor, Oxygen, **102 , 103 , 104 , 107 , 109**
Sensor, Pressure, **13 , 23 , 31**
Sensor, Speed, **15 , 17 , 25 , 27 , 33 , 35**
Sensor, Temperature, **13 , 23 , 31 , 183 , 185 , 187 , 189 , 197 , 199 , 201 , 203**
Service Consumables, **10**
Shield, Heat, **37**
Shroud, Radiator, **113 , 117**
Silencer (Winterized Units), **279 , 281 , 283**
Silencer – F216 Enclosure, **107**
Silencer – F217, F231 Enclosure, **109**
Spacer, Crankshaft, **52**
Spacer, Fan, **15 , 25**
Spring, Compression, **59**
Standoff, Insulator, **223 , 234 , 235**
Strap, Battery, **155 , 156**
Strap, Electrical, **152 , 153**
Suppressor, Voltage, **187 , 189 , 201 , 203**
Switch, Low Pressure, **95**
Switch, Low Pressure (With CSA), **96**
Switch, Pressure, **83**

T

Tank, Coolant, **113 , 117**
Tensioner, Belt, **53**
Thermostat, **56**
Transformer, Current, **237**
Transformer, Current – Mounting, **239**
Tray, Battery, **155**
Tray, Battery – Large, **156**
Tube, Oil, **19 , 37**
Turbocharger, **19 , 37**

Index (Continued)

V

Valve, Pressure Relief, **59**

Valve, Shutoff, **83 , 92**

Valve, Solenoid, **93 , 94**

This page is Intentionally blank.

Numerical Index

<u>Part No.</u>	<u>Page</u>	<u>Part No.</u>	<u>Page</u>	<u>Part No.</u>	<u>Page</u>	<u>Part No.</u>	<u>Page</u>
0098-6030, 125 , 275		0300-6315-01, 204 , 205 , 206 , 207		0332-2879-02, 187 , 189 , 201 , 203 , 255		0503-1872-04, 111 , 113	
0098-7646, 157		0300-6366-02, 205 , 207		0332-3008, 244		0503-2353-05, 85	
0130-3721-01, 113 , 117		0305-1009, 187 , 189 , 201 , 203 , 255		0332-3024-11, 151		0503-2353-08, 83	
0155-2063-02, 247		0307-2873, 187 , 189 , 201 , 203 , 255		0332-3084, 234 , 235		0505-0007, 96	
0155-2063-04, 247		0307-2884, 94		0332-3388, 126 , 129 , 130 , 133 , 134 , 137 , 138 , 141 , 187 , 189 , 201 , 203 , 255		0505-0041, 83 , 87 , 91 , 92 , 94	
0155-2063-06, 247		0307-2930, 93		0332-3491-01, 187 , 189 , 201 , 203 , 255		0505-0057, 83 , 95	
0155-2064-02, 247		0307-2968-01, 183 , 185 , 187 , 189 , 197 , 199 , 201 , 203		0332-3597, 223 , 229 , 234 , 235		0505-0059, 83 , 95	
0155-2064-04, 247		0307-2968-03, 183 , 185 , 187 , 189 , 197 , 199 , 201 , 203		0332-3647, 219 , 221 , 223 , 225 , 227 , 229 , 231 , 233		0505-0084, 93	
0155-2065-02, 247		0308-1038, 271		0332-3920, 187 , 189 , 201 , 203 , 255		0505-0085, 93	
0155-2065-04, 247		0308-1177, 192 , 193 , 206 , 207 , 255		0334-1354, 241		0505-0086, 94	
0155-2080, 121		0319-6766, 192 , 193 , 206 , 207 , 255		0338-4238-02, 43		0505-0088, 94	
0155-2305, 107 , 109 , 279 , 281 , 283		0321-0175, 194		0338-4906, 254 , 256		0505-0091, 92	
0155-2341-06, 247		0321-0372-03, 194		0402-0779-02, 153		0505-0107, 87 , 89 , 91 , 92 , 94	
0155-2341-07, 247		0321-0372-05, 194		0402-0779-05, 152		0505-0131, 125 , 275	
0155-2342-06, 247		0321-0372-07, 194		0406-0782, 161 , 165 , 168 , 169 , 173 , 177		0505-0132, 93	
0155-2342-07, 247		0323-1492, 241		0406-1234, 253		0505-0138, 21	
0155-2565, 102 , 103 , 104 , 107 , 109 , 279 , 281 , 283		0323-1624, 241		0501-0776-02, 80		0505-0171, 254	
0155-2707, 254		0323-2091, 254		0501-0776-03, 80		0505-0268, 93	
0155-2810, 254		0323-2192-01, 255		0502-0175, 13 , 23 , 31		0505-0327, 254	
0155-2812, 254		0323-2192-04, 255		0502-0942, 125 , 275		0505-0331, 83 , 87	
0155-2813, 254		0323-2397, 241		0502-1006, 125		0505-0356, 93	
0193-0529-01, 183 , 185 , 187 , 189 , 197 , 199 , 201 , 203		0323-2456, 254		0502-1110, 83 , 85 , 92		0505-0382, 254	
0226-4696, 255		0327-1536, 185 , 189 , 199 , 203 , 256		0502-1295-03, 21 , 29 , 39		0505-0387, 254	
0226-4797-06, 87		0332-0162, 244		0502-1509, 111		0505-0411, 254	
0300-3998-02, 255		0332-0942, 151 , 260		0503-0685, 111 , 115		0505-0453, 254	
0300-5878-01, 251		0332-1389, 80 , 239		0503-1135, 275		0505-0473, 29 , 39	
0300-5878-02, 251		0332-1789, 241 , 254 , 255 , 256		0503-1136, 21 , 29 , 39		0505-1524, 83 , 92	
0300-5878-03, 251		0332-1794, 41 , 111 , 115 , 161 , 165 , 168 , 169 , 173 , 177 , 239 , 240 , 252 , 254 , 255 , 256 , 267 , 275 , 276 , 277		0503-1138, 83 , 85		0505-2035-01, 29 , 39	
0300-5878-04, 251		0332-2430, 89 , 91		0503-1140, 111 , 115		0505-2035-02, 21	
0300-5878-05, 251		0332-2634, 273		0503-1142, 111 , 115		0505-2510, 83	
0300-5878-06, 251				0503-1274, 111 , 115		0508-0289, 151	
0300-5929-01, 256				0503-1870-05, 98 , 99 , 100		0508-0330, 159 , 163 , 175 , 179	
0300-5929-02, 256				0503-1870-07, 97		0508-1158, 87	
0300-6014, 190 , 191 , 192 , 193				0503-1870-08, 97 , 101		0508-1197, 113 , 117	
0300-6050-02, 191 , 193						0508-1287, 249	
0300-6050-03, 255						0517-0094, 87	
0300-6314-03, 254						0517-0131-03, 263	
						0517-0322, 117	
						0517-0350, 85 , 87 , 89 , 91	
						0518-0548-46, 43	

Numerical Index (Continued)

<u>Part No.</u>	<u>Page</u>	<u>Part No.</u>	<u>Page</u>	<u>Part No.</u>	<u>Page</u>	<u>Part No.</u>	<u>Page</u>
0518-0703, 15, 25, 33, 43		0800-6399, 157, 183, 185, 187, 189, 197, 199, 201, 203		206, 207		0860-2008, 94, 234	
0526-0113, 121				0818-0231, 161		0862-0001, 234, 235	
0526-0238-01, 152, 153		0800-6441, 15, 25, 33		0818-0231-02, 177		0862-0044, 152, 153	
0526-0399-54, 21, 29, 39, 204, 205, 206, 207		0800-6524-01, 21, 39, 97, 98, 99, 109		0818-0237-01, 271		0870-0235, 267	
0526-0399-56, 21, 29, 39		0805-0015, 142, 143		0819-1165-02, 187, 189, 201, 203		0870-0485-13, 171	
0526-0399-58, 13, 17, 29, 31, 39		0814-2155-01, 190, 191, 192, 193, 248		0819-1165-09, 183, 185, 187, 189, 197, 199, 201, 203		0870-2055, 97, 98, 99, 223, 229	
0526-0399-61, 21, 29, 39, 113, 152, 153		0815-0550, 129, 133, 137, 141		0821-2048, 21, 39		0870-2065-02, 154, 249, 263	
0526-0399-62, 17, 27, 35, 107, 244		0815-0709-01, 123		0821-6001-02, 219, 221, 225, 227, 231, 233		0870-2065-03, 159, 161, 163, 165, 167, 168, 169, 171, 173, 175, 177, 179, 263	
0526-0399-64, 17, 27, 35		0815-0781, 109, 111, 113, 115, 117, 155, 156, 183, 185, 187, 189, 197, 199, 201, 203, 219, 221, 223, 265		0821-6002-08, 239		0895-0381, 159, 163, 167, 171, 175, 179	
0526-2050, 151				0821-6003-01, 43, 159, 161, 163, 165, 167, 168, 169, 171, 173, 175, 177, 179, 259, 260		0898-1345-07, 239	
0526-2101, 19, 37, 234		0815-0829-06, 152, 153, 265		0822-3075, 151		0898-1389, 239	
0526-2106, 113, 117		0815-0857-01, 17, 21, 35, 39, 97, 101		0850-0114-51, 21, 29, 39		3007635, 67	
0526-2110, 37		0815-0857-02, 17, 27, 35, 109, 113, 117, 118, 154, 181, 183, 185, 187, 189, 190, 191, 192, 193, 197, 199, 201, 203, 204, 205, 206, 207, 209, 211, 213, 215, 217, 219, 221, 223, 231, 233, 249, 265, 271, 277, 279, 281, 283		0850-0114-52, 21, 29, 39		3035960, 54	
0526-2120, 19				0850-0114-53, 13, 17, 29, 31, 39		3281012, 46, 64	
0725-1049, 17, 19, 37				0850-0114-54, 19, 37, 94		3281246, 48	
0725-1051, 19, 21, 37				0850-0114-55, 15, 17, 25, 27, 33, 35, 244		3282266, 47	
0800-0003, 219, 221, 223, 225, 227, 229, 231, 233		0815-0857-03, 21, 29, 97, 101, 249		0850-2004, 151		3283335, 70	
0800-0004, 234, 235		0815-0857-06, 113, 117		0850-2006, 234, 235		3283570, 47	
0800-0005, 223, 229, 234, 235		0815-0857-08, 13, 23, 31		0850-2008, 234		3284377, 48	
0800-0006, 219, 221, 223, 225, 227, 229, 231, 233, 235		0815-0858-01, 121		0851-0027, 219, 221, 223, 225, 227, 229, 231, 233, 234, 235		3284623, 44	
0800-0607, 152, 153		0815-0858-02, 83, 85, 87, 89, 91		0851-0028, 223, 229		3287561, 47	
0800-2044, 263		0815-0859-02, 13		0853-2006, 268		3520815, 57	
0800-2057, 21, 29, 39		0815-0860-01, 15, 25, 27, 33		0853-2008, 159, 161, 163, 165, 167, 168, 169, 171, 173, 175, 177, 179, 259, 260, 263		3814121, 45, 54	
0800-2110, 17, 35, 43		0815-0895-02, 23, 31		0856-0006, 197, 199, 201, 203, 209, 211, 213, 215, 217, 219, 221, 223, 225, 227, 229, 231, 233, 249, 271, 277		3818823, 49	
0800-3017-06, 17		0815-0941-03, 125, 275		0856-0010, 21, 29, 39, 152, 153, 183, 185, 187, 189, 197, 199, 201, 203, 219, 221, 223		3900068, 44	
0800-3017-20, 234		0815-0954-03, 223, 229		0860-2005, 151		3900225, 45, 58	
0800-3017-23, 121		0815-1540-18, 204, 205,				3900277, 47, 49	
0800-3017-35, 17, 27, 35						3900257, 44	
0800-3017-36, 244						3900629, 44, 68	
0800-3017-40, 121						3900630, 44, 47, 48, 76, 78	
0800-3017-54, 17, 27, 35						3900631, 45, 47, 53, 57, 78	
0800-3042, 272						3900632, 46, 59	
0800-6294, 265						3900633, 44, 46, 51	
0800-6375-01, 13, 23, 31						3900667, 47	
						3900677, 62	
						3900678, 48	

Numerical Index (Continued)

<u>Part No.</u>	<u>Page</u>	<u>Part No.</u>	<u>Page</u>	<u>Part No.</u>	<u>Page</u>	<u>Part No.</u>	<u>Page</u>
3900687, 44	, 67	3915787, 59		3929457, 46	, 59	4093655, 46	, 55
3900955, 46	, 61	3916131, 44		3929751, 45		4093857, 44	, 46
3900956, 48	, 67 , 71	3917700, 49	, 74	3930906, 48	, 72	4093866, 44	
3901221, 48		3917801, 46		3931623, 44		45-0281, 10	
3901249, 44	, 45	3918109, 46	, 60	3932520, 47		45-0428, 145	
3901757, 48	, 79	3918256, 46		3934047, 47		45-0867, 145	
3901895, 48	, 72	3918257, 46		3934878, 48		45-0868, 145	
3902114, 46	, 51	3918427, 59		3934920, 48		45-1080, 145	
3902343, 44		3918428, 46	, 59	3935266, 48		450-14450, 145	
3902400, 47		3918954, 46	, 59	3935267, 45	, 57	450-15617, 145	
3903297, 49		3919448, 55		3935449, 48	, 72	4893693, 47	
3903463, 46		3919686, 46	, 59	3936365, 46	, 59	4931643, 71	
3903475, 46	, 51	3919995, 71		3936612, 47	, 69	4932124, 59	
3903744, 44		3920447, 45	, 58	3936641, 44	, 47 , 48	4938189, 67	
3903757, 71		3920691, 47		3936642, 47		4939587, 62	
3903834, 48		3920706, 44	, 67	3936680, 45	, 63	4943979, 47	
3903990, 45		3920779, 47	, 77	3936876, 48	, 72	4945464, 44	
3904046, 44		3920780, 47	, 77	3937111, 51		4946426, 47	
3904181, 45	, 58	3920781, 48		3937214, 47		4947521, 45	, 57
3904446, 45	, 53	3921556, 44		3937404, 47		4947667, 45	, 58
3905443, 49		3921558, 46		3937743, 46		4988952, 58	
3906619, 59		3921992, 47		3938152, 46	, 60	4990174, 44	
3906697, 48	, 71 , 79	3923044, 54		3938156, 51		518-0601, 10	
3906704, 44		3924147, 47		3938157, 47		5253184, 44	
3907049, 48	, 72	3924346, 44		3939258, 44		5260996, 54	
3907769, 54		3924473, 48	, 71	3940777, 47		5265968, 47	
3907860, 78		3924584, 44	, 52	3941981, 73		5267980, 44	, 52
3908226, 45	, 57	3924962, 46	, 51	3942915, 59		5271139, 45	
3909355, 59		3925009, 46		3944593, 49	, 75	5272335, 54	
3910248, 45	, 58	3925186, 45	, 53	3957644, 59		5273979, 46	
3910260, 45	, 58	3925207, 45	, 53	3967615, 47		5274159, 45	, 58
3910495, 46	, 64	3926047, 44	, 67	3969562, 47		5285614, 45	, 57
3910715, 57		3927154, 75		3978818, 44		5286931, 47	
3910739, 54		3927155, 47		3978820, 44		5289874, 51	
3911560, 45	, 53	3927167, 47		3978822, 44		5295530, 46	
3912558, 48	, 76	3928404, 48	, 72	4070594, 44		5297582, 45	, 55
3913366, 48		3928405, 48	, 72	4080631, 45	, 56	5303963, 44	, 52
3913433, 45		3928759, 44	, 68	4080645, 48		5303964, 44	, 52
3913638, 45	, 58	3928797, 44		4080672, 46	, 61		
3914868, 45		3928873, 45	, 54 , 71	4080673, 46	, 61		
3915703, 47		3929042, 47		4080781, 48			

Numerical Index (Continued)

<u>Part No.</u>	<u>Page</u>	<u>Part No.</u>	<u>Page</u>	<u>Part No.</u>	<u>Page</u>	<u>Part No.</u>	<u>Page</u>
5304129, 44		5349470, 48		A043J735, 257		A044Z187, 221 , 227 , 233	
5305032, 45		5349471, 49		A043J739, 171 , 173		A044Z189, 221 , 227 , 233	
5314573, 44		5349472, 49		A043J742, 29		A044Z204, 221 , 227 , 233	
5314946, 49 , 73		A028X493, 13 , 23 , 31		A043J744, 29		A044Z205, 221 , 227 , 233	
5317249, 46 , 51		A028X740, 125		A043V085, 83 , 92		A044Z206, 219 , 225 , 231	
5319143, 47		A028X743, 19 , 27 , 37 , 39		A043W090, 21 , 29 , 39		A044Z207, 219 , 225 , 231	
5333477, 45 , 53		A028Z105, 122		A043W091, 21 , 29 , 39		A044Z208, 219 , 225 , 231	
5342390, 46		A029J996, 15 , 25 , 33		A043W093, 29		A044Z209, 219 , 225 , 231	
5349396, 44		A030Y976, 250		A043W094, 39		A044Z210, 219 , 225 , 231	
5349398, 44		A034V217, 21		A043W097, 13 , 31		A044Z211, 219 , 225 , 231	
5349399, 44		A035B577, 244		A043W114, 254		A044Z212, 219 , 225 , 231	
5349400, 45		A041E785, 80		A043W344, 103 , 104 , 107 , 109 , 281 , 283		A044Z213, 219 , 225 , 231	
5349401, 45		A041E787, 80		A043W505, 183 , 185 , 187 , 189		A044Z214, 219 , 225 , 231	
5349402, 45		A041J582, 254		A043X760, 257		A044Z215, 219 , 225 , 231	
5349403, 45		A041L590, 83 , 92 , 94		A043X785, 257		A044Z216, 219 , 225 , 231	
5349404, 45		A041M126, 37		A043Z608, 29		A045B239, 83 , 95 , 96	
5349445, 45		A041S333, 93		A044A588, 256		A045J199, 256	
5349446, 45		A042N860, 43 , 183 , 185 , 187 , 189 , 197 , 199 , 201 , 203 , 219 , 221 , 223 , 225 , 227 , 229 , 231 , 233		A044B045, 142 , 143		A045J201, 256	
5349447, 45		A042T762, 13 , 23 , 31		A044B224, 13 , 23 , 31		A045J203, 255	
5349448, 45		A042T776, 13 , 23 , 31		A044B920, 111		A045J574, 9	
5349448, 45		A042X751, 256		A044D694, 43 , 122 , 151 , 156 , 157 , 183 , 185 , 187 , 189 , 197 , 199 , 201 , 203 , 252 , 255 , 256 , 267 , 273		A045J775, 83	
5349449, 46		A042Y252, 10 , 100 , 256		A044F254, 209 , 211 , 213 , 215 , 217 , 271		A045K281, 83	
5349450, 46		A042Y707, 255 , 256		A044F269, 219 , 221 , 223 , 225 , 227 , 229 , 231 , 233		A045M805, 161 , 165 , 167	
5349451, 46		A042Y727, 255 , 256		A044G477, 155 , 156		A045P632, 250	
5349452, 46		A042Z041, 187 , 189 , 201 , 203 , 255		A044H599, 219 , 221 , 223 , 225 , 227 , 229 , 231 , 233		A045S163, 27 , 35	
5349453, 46		A042Z462, 194		A044L228, 161 , 165 , 167 , 171 , 173		A045S281, 111 , 115	
5349454, 46		A042Z472, 194		A044M633, 9		A045S287, 111 , 115	
5349455, 46		A043A230, 185 , 189 , 199 , 203 , 256		A044V681, 10 , 98 , 99 , 256		A045S636, 111	
5349456, 46		A043B108, 185 , 187 , 189 , 199 , 201 , 203 , 255 , 256		A044Z051, 255		A045S684, 111	
5349457, 47		A043B984, 157		A044Z053, 255		A045U095, 21	
5349458, 47		A043E232, 192 , 193 , 206 , 207 , 255		A044Z055, 256		A045U097, 21	
5349459, 47		A043E872, 185 , 187 , 189 , 199 , 201 , 203 , 255 , 256 , 277		A044Z185, 221 , 227 , 233		A045U164, 223 , 229	
5349460, 47		A043F059, 255		A044Z186, 221 , 227 , 233		A045U169, 223 , 229	
5349461, 47						A045Z943, 159 , 163 , 175 , 179 , 259 , 260	
5349462, 48						A046A655, 97 , 101	
5349463, 48						A046A715, 15 , 25 , 33 , 142 , 143	
5349464, 48						A046C014, 154	
5349465, 48						A046D267, 126 , 130 , 134 , 138 , 236	
5349466, 48							
5349467, 48							
5349468, 48							
5349469, 48							

Numerical Index (Continued)

<u>Part No.</u>	<u>Page</u>	<u>Part No.</u>	<u>Page</u>	<u>Part No.</u>	<u>Page</u>	<u>Part No.</u>	<u>Page</u>
A046D846, 109 , 279		A047G956, 183 , 185 , 187 , 189 , 197 , 199 , 201 , 203		A047W504, 107 , 109 , 279 , 281 , 283		A048K751, 159 , 175 , 259	
A046D848, 109		A047J621, 29		A047W528, 102 , 107 , 109		A048M385, 161 , 165 , 173 , 177	
A046D850, 109 , 279 , 281 , 283		A047J626, 39		A047Y630, 153		A048M458, 173 , 177	
A046G214, 15 , 17 , 25 , 27 , 33 , 35		A047K456, 83		A047Y650, 183 , 185 , 187 , 189		A048M651, 159 , 161 , 173 , 175 , 259	
A046G328, 19		A047K458, 85		A047Z323, 161 , 165 , 173 , 177		A048M825, 159 , 163 , 175 , 179 , 263	
A046G431, 21 , 29 , 39		A047K460, 83		A047Z325, 161 , 165 , 173 , 177		A048M830, 159 , 163 , 175 , 179	
A046G477, 41 , 125 , 151 , 157 , 252 , 276		A047K691, 23 , 31 , 46 , 256 , 257		A047Z339, 159 , 175 , 180 , 259		A048M837, 159 , 163 , 175 , 179	
A046G620, 94		A047K704, 97		A047Z735, 161 , 165 , 173		A048M843, 159 , 163 , 175 , 179	
A046K103, 254		A047K707, 97		A048A105, 13 , 23 , 31		A048M847, 159 , 163 , 175 , 179	
A046L319, 257		A047K762, 241		A048A814, 109 , 283		A048N088, 113 , 117	
A046S274, 257		A047K791, 83 , 95		A048A845, 19 , 29 , 37 , 39		A048P759, 181	
A046T081, 159 , 163 , 175 , 179 , 259		A047K793, 83 , 95		A048C054, 103		A048P804, 156	
A046T782, 121		A047K797, 37		A048C269, 180		A048S388, 171	
A046V168, 13 , 23 , 31		A047K929, 97		A048C271, 159 , 163 , 167 , 171 , 175 , 179		A048S405, 19 , 37 , 39	
A046X270, 94		A047K942, 99		A048C835, 240		A048T300, 15 , 21	
A046X276, 93		A047M180, 10 , 101 , 257		A048E352, 209 , 211 , 213 , 215 , 217		A048T764, 204 , 205 , 206 , 207	
A046Z126, 21		A047M571, 97		A048F734, 113 , 117		A048U087, 113 , 117	
A047A066, 17 , 35		A047M818, 98 , 99		A048F738, 113 , 117		A048U555, 152 , 153	
A047A070, 17 , 35		A047M926, 98 , 99		A048F744, 113 , 117		A048U561, 91	
A047A362, 19 , 37		A047P717, 118		A048F931, 107		A048U563, 87	
A047A612, 19 , 29 , 37		A047P977, 118		A048F933, 107		A048V152, 111 , 115	
A047A719, 39		A047R282, 15		A048F936, 107		A048V153, 113 , 117 , 159 , 163 , 167 , 171 , 175 , 179	
A047B475, 13 , 23 , 31		A047R512, 118		A048F958, 107		A048V154, 113 , 117	
A047C757, 118		A047R512, 118		A048G835, 113 , 117		A048V222, 244	
A047D019, 13 , 23 , 31		A047S649, 109 , 281		A048G912, 9		A048W008, 89	
A047D031, 29 , 39		A047T786, 19 , 37		A048G915, 9		A048W169, 204 , 205	
A047D130, 17		A047U542, 107		A048G917, 9		A048W223, 143	
A047D269, 27		A047U587, 102 , 104		A048G919, 9		A048W773, 152 , 153	
A047D352, 234		A047U747, 219 , 221 , 225 , 227 , 231 , 233		A048G923, 9		A048W998, 111 , 115	
A047E083, 39		A047V389, 237		A048G949, 113 , 129 , 133 , 137 , 141		A048Z405, 155	
A047E087, 85		A047V393, 237		A048G965, 183 , 185 , 187 , 189 , 197 , 199 , 201 , 203 , 271		A049C489, 204 , 205 , 206 , 207	
A047E091, 83		A047V394, 237		A048H191, 183 , 185 , 187 , 189 , 197 , 199 , 201 , 203		A049E982, 145	
A047E242, 183 , 185 , 187 , 189		A047V395, 237		A048J249, 113		A049H452, 159 , 163 , 175 , 179 , 259	
A047E480, 209 , 211 , 213 , 215 , 217		A047V396, 237					
A047E711, 152		A047V397, 237					
A047E730, 37		A047V568, 43					
		A047V725, 19 , 37					
		A047W290, 183 , 185 , 187 , 189 , 197 , 199 , 201 , 203					

Numerical Index (Continued)

<u>Part No.</u>	<u>Page</u>	<u>Part No.</u>	<u>Page</u>	<u>Part No.</u>	<u>Page</u>	<u>Part No.</u>	<u>Page</u>
A049H454, 159, 161, 163, 165, 167, 168, 169, 171, 173, 175, 179, 259, 263		A050D494, 219, 221, 223		A050R832, 243		A050Y809, 183, 185, 187, 189, 197, 199, 201, 203, 219, 221, 223	
A049H572, 159, 163, 175, 179		A050E021, 209, 211, 213, 215, 217		A050R836, 243		A051A290, 181, 271	
A049H744, 183, 185, 187, 189, 197, 199, 201, 203, 273, 277		A050E026, 209, 211, 213		A050R837, 243		A051A292, 181, 271	
A049K320, 33		A050E989, 113, 117		A050R838, 243		A051B653, 252	
A049M630, 147		A050F602, 223, 229		A050R839, 243		A051B859, 13, 23, 31, 113, 117, 121	
A049M637, 147		A050F613, 21, 29, 39		A050R840, 243		A051C650, 181, 271	
A049M640, 147		A050G752, 219, 221, 223, 225, 227, 229, 231, 233		A050R841, 243		A051C812, 181, 271	
A049M642, 147		A050G754, 223		A050R842, 243		A051F338, 41	
A049M644, 147		A050H196, 9		A050R843, 243		A051F863, 21, 29, 39	
A049M648, 147		A050H226, 9		A050R844, 243		A051G977, 221, 227, 229, 233	
A049M652, 146, 147		A050H838, 123		A050R845, 243		A051M145, 10, 257	
A049M655, 146, 147		A050J258, 183, 185, 187, 189, 197, 199, 201, 203		A050R846, 243		A051N073, 145	
A049M657, 146, 147		A050J260, 183, 185, 187, 189, 197, 199, 201, 203		A050R847, 243		A051N074, 145	
A049M660, 146, 147		A050L256, 85, 87, 89, 91		A050R848, 243		A051X168, 10	
A049M662, 147		A050L324, 83		A050R849, 243		A051Z318, 40	
A049M664, 146, 147		A050L611, 154		A050R850, 243		A052A179, 145	
A049M668, 146, 147, 148		A050M046, 125, 275		A050R851, 243		A052C073, 129, 133, 137, 141	
A049M671, 147, 148		A050M049, 125		A050R854, 243		A052C979, 129, 133, 137, 141	
A049M673, 146		A050M202, 154		A050R856, 244		A052C981, 129, 133, 137, 141	
A049M680, 146, 147, 148		A050M206, 154		A050R857, 244		A052C984, 129, 133, 137, 141	
A049M682, 146, 147, 148		A050M658, 125, 275		A050S292, 21		A052C986, 141	
A049M684, 146		A050M716, 125, 275		A050T121, 97		A052C988, 137	
A049M686, 147, 148		A050N782, 113		A050T434, 111		A052D747, 101	
A049M689, 148		A050N784, 234, 235		A050U243, 161, 177		A052D799, 126, 129, 133, 134, 137, 141	
A049M696, 147, 148		A050P481, 161, 165, 168, 169, 173, 177		A050U499, 191, 193		A052G615, 21, 29, 39	
A049M716, 147		A050P483, 159, 161, 163, 165, 167, 171, 173, 175, 177, 179, 180, 259, 263, 268		A050U501, 190, 192		A052H541, 219, 221, 223, 231, 233	
A049M720, 146, 147, 148		A050P514, 113, 117		A050U655, 87		A052K217, 165, 168, 169, 173, 177	
A049R898, 98		A050P695, 221, 227, 233		A050U658, 83, 85, 89, 91		A052K232, 169	
A049V689, 151		A050P864, 21, 29, 39		A050W248, 21		A052K234, 169	
A049Z457, 109		A050R300, 223, 229		A050W252, 39		A052K260, 171, 175, 179	
A049Z459, 109		A050R766, 159, 163, 175, 179		A050W253, 29		A052K264, 169	
A050A053, 123		A050R829, 243		A050W254, 21, 29, 39		A052K274, 169	
A050A055, 123		A050R831, 243		A050W991, 15, 25, 33			
A050A057, 123				A050X668, 87			
A050B660, 109, 279, 281, 283				A050Y289, 209, 211, 213, 215, 217			
A050C797, 19, 37				A050Y446, 15, 25, 33, 39			
A050D475, 43				A050Y447, 19			
				A050Y448, 27			
				A050Y448, 27			
				A050Y622, 219, 221, 223, 231, 233			
				A050Y703, 111			

Numerical Index (Continued)

<u>Part No.</u>	<u>Page</u>	<u>Part No.</u>	<u>Page</u>	<u>Part No.</u>	<u>Page</u>	<u>Part No.</u>	<u>Page</u>
A052K276, 173 , 177		A052R987, 21 , 29 , 39		A060P388, 265		A061F525, 271	
A052K343, 167		A052S206, 10		A060P582, 279 , 281 , 283		A061F990, 249	
A052K387, 161		A052S208, 10		A060T422, 263		A061F996, 249	
A052K399, 180		A052S210, 10		A060U494, 263		A061G446, 259	
A052K447, 175 , 179		A052S212, 10		A060U863, 263		A061G448, 259	
A052K450, 173 , 177		A052T045, 223 , 229		A060U968, 271		A061M694, 249	
A052K453, 171		A052U030, 145		A060V266, 263		A062E034, 29 , 39	
A052K463, 175 , 179		A052U299, 9		A060V582, 263		A062H493, 263	
A052K467, 175 , 179		A052W758, 21 , 29 , 39		A060V997, 265		A062H516, 263	
A052K469, 159 , 163 , 175 , 179 , 259		A053H623, 197 , 199 , 201 , 203		A060X049, 277		A062H520, 263	
A052L440, 171 , 175 , 179		A053J304, 204 , 206		A060X063, 277		A062H522, 263	
A052M787, 161 , 165 , 168		A053J306, 205 , 207		A060Y995, 263		A062H524, 263	
A052M789, 168		A053S093, 197 , 199 , 201 , 203		A060Z167, 272		A062J944, 259	
A052M791, 168		A053T067, 197 , 199 , 201 , 203		A061C565, 263		A062K949, 259 , 263	
A052M797, 159 , 163 , 167		A054P414, 171		A061D075, 265		A062L351, 263	
A052M801, 168		A054P419, 175 , 179		A061D274, 265		A062L589, 271	
A052M803, 168		A054P427, 167		A061D277, 265		A062X982, 267	
A052M805, 161		A054P436, 159 , 163		A061D918, 263		A062Y572, 271	
A052M814, 159 , 163		A054P446, 171		A061D920, 263		A063B833, 267	
A052M816, 161 , 165		A054P453, 167		A061E686, 249		A063D834, 267	
A052M818, 167		A057B780, 279		A061E716, 249		A063F589, 267	
A052M820, 159 , 163 , 259		A060D569, 177		A061E732, 267		AF04175, 97	
A052M822, 159 , 163 , 259		A060H419, 248		A061E916, 272		AF26223, 98 , 99	
A052N352, 125 , 275		A060P383, 265		A061F249, 271		LF3959, 10 , 59	
A052N595, 244				A061F251, 271		RSK-2001, 145	
A052R199, 15 , 25 , 33 , 39							

This page is Intentionally blank.

power.cummins.com

Copyright © 2019 Cummins Inc. All rights reserved.

Cummins, the "C" logo, PowerCommand, AmpSentry, and InPower are trademarks of Cummins Inc.

Other company, product, or service names may be trademarks or service marks of others.

Specifications are subject to change without notice.

